



# Signalling Bell UWE

## Electronic signalling device for dry and damp rooms

- ▶ Extremely low current consumption
- ▶ Electronic bell system
- ▶ Dome in signal colour red
- ▶ Housing of impact-resistance ABS
- ▶ Volume approx. 96 dB(A)



## Application

Thanks to their distinct sound, the signals of a signalling bell are unmistakable. Since extremely low current consumption is also often necessary, the application possibilities for UWE signalling bells are growing all the time. For example, they are already used in many systems as fire alarm.

## Design

The electronic bell system is mounted in a plastic housing in IP 40. The dome is made of steel and coated red. The bell is designed for continuous operation and is activated by switching on the power supply.

## Fire alarm bell in a building transition

The bell is designed for continuous operation and is activated by switching on the power supply.

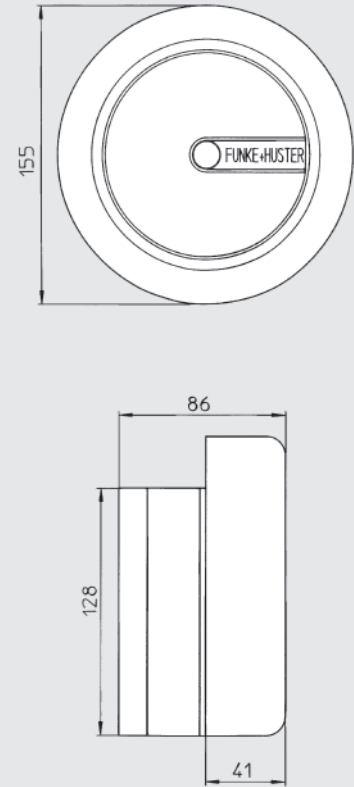


## Technical specifications

Housing	Plastic, steel dome
Protection degree	IP 40 (IEC 529)
Protection class	II
Cable entry	20 mm
Operating conditions	Indoors
Operating position	(as shown in drawing)
Operating mode	Continuous
Volume	Approx. 96 dB(A), 1m (Regarding volume specifications, please see the chapter "Technical Informations".)

### Extremely low current consumption

Temperature range	-10°C to +55°C
Weight	Approx. 1.2 kg



## Order information

Type	Name	Version	Rated voltage V	Rated current A	Article no.
UWE	Signalling Bell	With red dome	200–250 VAC / 50–60 Hz	0.03	211 020 21
UWE	Signalling Bell	With red dome	18–30 VDC	0.03	211 020 22

Subject to change without notice · Printout 01/13