

660L LED Ex d e Luminaire

Zones: **1** **2** **21** **22** Cat: **2**



Heavy duty versatile Bulkhead for hazardous areas.

LED Bulkhead with up to 3,500lm output suitable for zone 1 gas and zone 21 dust environments, this luminaire features an integral terminal chamber, external earthing and fixed or pivoting mounting brackets.

- ✓ Group IIC - suitable for all gas environments
- ✓ Marine grade aluminium construction
- ✓ Low installation costs with integral 'e' terminal chamber (inexpensive glanding, loop in loop out cabling)
- ✓ 120VAC/DC, 230VAC/DC, 24VAC/DC
- ✓ -20°C to +100°C Versions are available. See product selection chart
- ✓ Certified with integral LED module



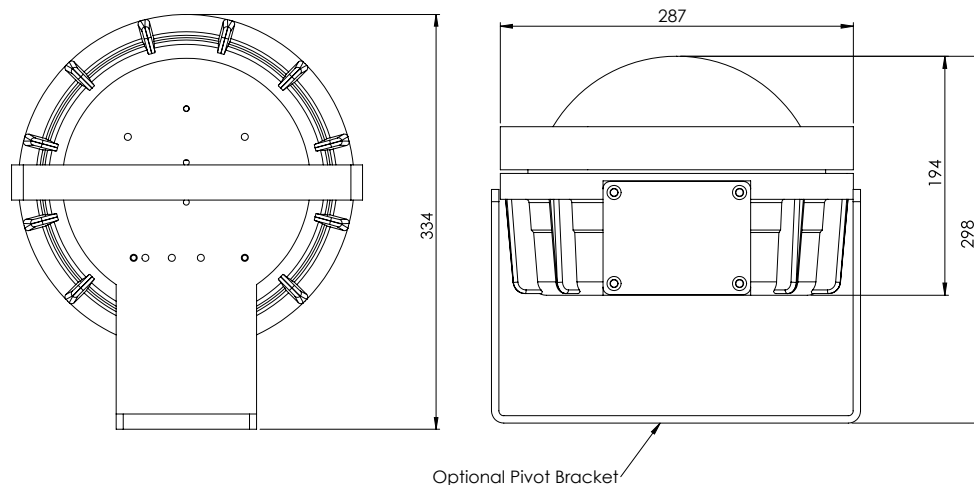
Specifications & Options



| | | | |
|---|---|------------------------------|--|
| Label Marking High Temperature | Ex II 2GD Ex d e IIC T3 Gb Ex tb IIIC T200°C Db -20°C to 100°C Ex II 2GD Ex d e IIC T4 Gb Ex tb IIIC T135°C Db -20°C to 95°C | Certificate Standards | CE, ATEX, IECEx IEC/EN60079 -0, -1, -7, -31 |
| Label Marking Standard Temperature | Ex II 2GD Ex d e IIC T5 Gb Ex tb IIIC T100°C Db -20°C to +60°C Ex II 2GD Ex d e IIC T6 Gb Ex tb IIIC T85°C Db -20°C to +45°C | Certificate No.s | SIRA 00ATEX1047 IECEX SIR09.0028 |
| Zoned areas | Zones 1, & 21 | IP rating | IP66 |
| | | Ambient range | Standard: -20°C to + 60°C (45°C) High: -20°C to +100°C (95°C) |
| Material | Marine grade aluminium body with borosilicate glass dome | | |
| Cable entries | 2 x M20 ISO (1 plugged) as standard. Other threads available | | |
| Electrical connections | 4 (4mm ²) wire and earth with looping facility | | |
| Light source | LED 4000K | | |
| Light output | 3100 Luminaire Lumens @ nominal voltage (230VAC) | | |
| Supply voltage (s) | 120VAC/VDC = 108 - 132VAC/DC 230VAC/VDC = 207 - 253VAC/DC 24VAC/VDC = 22 - 26VAC/DC | | |
| Power | 42W - 69W depending on variant | | |
| Installation / Mounting | Back mounted fixing bracket (supplied) | | |
| Control gear | Integral on LED module | | |
| Dimensions | 334mm x 287mm x 194mm | | |
| Weight | 12.5kg | | |



660L LED Ex d e Luminaire



| | |
|--------|----------|
| inrush | 0.3A max |
| THD | 10% |
| THC | 0.03A |
| PF | >0.99 |

It is recommended to limit the operational time to 20 minutes maximum when operating the luminaire in constant ambient temperatures above 70°C in order to prolong the life of the LEDs. Replacement LED modules are available as spares.

ORDERING INFORMATION

| 660L Standard Temperature Luminaire | Part Number | Voltage | Description | Light Source | Power Consumption |
|-------------------------------------|-------------|---------|---------------|--------------|-------------------|
| | 660L/24 | 24VAC | 24V Standard | LED -1800lm | 42W |
| | 660L/24 | 24VDC | 24V Standard | LED -3200lm | 60W |
| | 660L/120 | 120VAC | 120V Standard | LED -3100lm | 60W |
| | 660L/120 | 120VDC | 120V Standard | LED -2300lm | 48W |
| | 660L/230 | 230VAC | 230V Standard | LED -3100lm | 60W |
| | 660L/230 | 230VDC | 230V Standard | LED -3500lm | 69W |

| 660L High Temperature Luminaire | Part Number | Voltage | Description | Light Source | Power Consumption |
|---------------------------------|-------------|---------|------------------|--------------|-------------------|
| | 660L/24/HT | 24VAC | 24V Hi Temp LED | LED -1800lm | 42W |
| | 660L/24/HT | 24VDC | 24V Hi Temp LED | LED -3200lm | 60W |
| | 660L/120/HT | 120VAC | 120V Hi Temp LED | LED -3100lm | 60W |
| | 660L/120/HT | 120VDC | 120V Hi Temp LED | LED -2300lm | 48W |
| | 660L/230/HT | 230VAC | 230V Hi Temp LED | LED -3100lm | 60W |
| | 660L/230/HT | 230VDC | 230V Hi Temp LED | LED -3500lm | 69W |

| Accessories | Part Number | Description | Part Number | Description |
|-------------|------------------------|---|-----------------|---|
| | 660L PIVOT BRACKET KIT | Pivot bracket and mounting hardware | 6LED/230/LEDKIT | 230V 621 Series upgrade kit / 660L Replacement LED module |
| | 660L WHITE GUARD KIT | White powder coated guard and stainless steel mounting hardware | 6LED/120/LEDKIT | 120V 621 Series upgrade kit / 660L Replacement LED module |
| | 660L GALV GUARD KIT | Galvanised wire guard and stainless steel mounting hardware | 6LED/24/LEDKIT | 24V 621 Series upgrade kit / 660L Replacement LED module |

For safer hazardous areas call us today on

0121 783 7161

sales@petrel-ex.co.uk | www.petrel-ex.co.uk



Petrel
 Hazardous Area Lighting Solutions