

# 7 Series Ex db LED Luminaire

Zones: **1** **2** **21** **22** Cat: **2**



High efficiency Zone 1 and Zone 21 LED Luminaire in both standard and emergency formats for use in hazardous areas. A range of sizes from 1-5ft with light output up to 6,675 Lumens.

Low maintenance, high output LED light source and energy efficient control with motion sensor options for controlling single and multiple fittings. Manufactured from impact resistant polycarbonate and high specification marine grade aluminium, the fitting is supplied anodised and painted.

- ✓ Low maintenance high efficiency LED light source
- ✓ Energy efficient control
- ✓ 1', 2', 4' and 5' versions
- ✓ Robust long life Zone 1 enclosure
- ✓ Motion sensor option
- ✓ Standard and emergency variants



## Specifications & Options

<b>Label Marking</b>	II 2 G Ex db II* T6 Gb II 2 D Ex tb IIIC T85°C Db (II* - IIC Sizes 1,2,4 IIB Size 5)	<b>Certification standards</b>	EN/IEC 60079 - 0, -1, -31
<b>Zoned areas</b>	Zones 1, 2, 21 & 22	<b>Certificate No.s</b>	CML 14ATEX1028X CML 21UKEX11018X IECEX CML140012X
<b>Ambient range ( max )</b>	-20°C to +55°C	<b>IP rating</b>	IP66
<b>Material</b>	Marine grade aluminium body with high impact polycarbonate tube		
<b>Cable entries</b>	4 x M20 iso (3 plugged) as standard other threads available		
<b>Electrical connections</b>	3 wire and earth cable size 4mm <sup>2</sup> max. Through wiring as standard		
<b>Light source</b>	High efficiency LED		
<b>Light output</b>	Various ranging from 1,335lm - 6,675lm		
<b>Supply voltage (s)</b>	230V 50/60Hz. Call for details of versions available		
<b>Installation / Mounting</b>	2 x M8 tapped holes. Size 1 335mm, size 2 632mm, size 4 1,242mm, size 5 1,542mm		
<b>Control gear</b>	Electronic Driver		
<b>Dimensions</b>	Size 1 448mm x 158mm, size 2 752mm x 158mm, size 4 1,362mm x 158mm, size 5 1,662mm x 158mm		
<b>Weight</b>	Size 1' 3kg, size 2' 5kg, size 4' 7kg, size 5' 8kg		

We offer a lighting design service

# 7 Series Ex db LED Luminaire

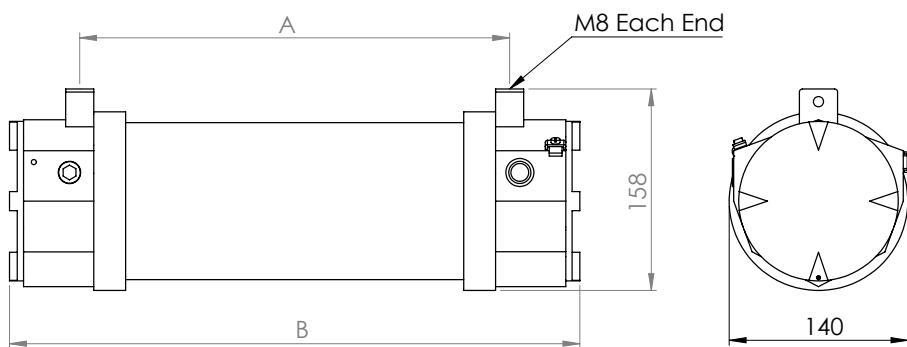


Spares and accessories available  
Refer to main catalogue

## CIRCUIT BREAKER / INRUSH CURRENT

Model	typ.Ipeak	No. of Luminaires per single pole Circuit Breaker				
		Type	10A	16A	20A	25A
7LED2700/R2	16.2A/184 μ	B	17	27	34	43
		C	28	45	57	71
7LED4700/R2	32.4A/184 μ	B	8	13	17	21
		C	14	22	28	35
7LED5700/R2	32.4A/184 μ	B	8	13	17	21
		C	14	22	28	35

Supply voltage @230 VAC, mains impedance = 1Ω  
In case of multi-pole CB the maximum number is reduced by 20%.  
The maximum number may differ depending on CB manufacturer. Please consult the manufacturer specifications.  
Circuit Breakers with C characteristics are recommended for LED lighting circuits.



Size	A / mm	B / mm
1	335	448
2	632	752
4	1242	1362
5	1542	1662

## ORDERING INFORMATION

	Part Number	Description	Light Source	Light Output	Power Consumption	Size
Standard	7LED1700/R2	15W Ex d Zone 1 Luminaire	LED	1,335lm	15W	448mm
	7LED2700/R2	30W Ex d Zone 1 Luminaire	LED	2,670lm	30W	752mm
	7LED4700/R2	55W Ex d Zone 1 Luminaire	LED	5,340lm	55W	1,362mm
	7LED5700/R2	70W Ex d Zone 1 Luminaire	LED	6,675lm	70W	1,662mm

	Part Number	Description	Light Source	Light Output	Power Consumption	Size
Emergency	7LED1700/R2/EM	15W Ex d Zone 1 EM Luminaire	LED	1,335lm	15W	448mm
	7LED2700/R2/EM	30W Ex d Zone 1 EM Luminaire	LED	2,670lm	30W	752mm
	7LED4700/R2/EM	55W Ex d Zone 1 EM Luminaire	LED	5,340lm	55W	1,362mm
	7LED5700R2/EM	70W Ex d Zone 1 EMLuminaire	LED	6,675lm	70W	1,662mm

For safer hazardous areas call us today on

**0121 783 7161**

sales@petrel-ex.co.uk | www.petrel-ex.co.uk



**Petrel**  
Hazardous Area Lighting Solutions