

# Mini LED Area Floodlight Ex eb mb / Ex ec mc tc



The brand new LED Area Floodlight range is a highly efficient luminaire that boasts a class leading light output from 4,500 to 6,000 Lumens (Subject to variant).

Certified for use in Zone 1, 21, 2, 22 this is a modern and versatile range of luminaires. The high quality corrosion resistant aluminium body gives excellent durability in any Zone 1 & 2 hazardous environment. The LED light engine provides a long service life which is virtually maintenance free. All products in the range are offered with a light engine warranty of up to 5 years. The whole range offers industry leading performance in terms of lumen per watt efficacy.

- ✓ Low maintenance LED light source
- ✓ Industry leading performance in terms of lumen per watt efficacy
- ✓ Rated to IK10 (subject to variant)
- ✓ High quality corrosion resistant aluminium alloy body
- ✓ Durable construction
- ✓ Long service life with light engine warranty of up to 5 years
- ✓ Virtually maintenance free
- ✓ Steel swivel mounting bracket (Stainless Steel option available on request)
- ✓ A simple and robust design ensuring that the product is easy to install and use
- ✓ Supplied with tempered glass lens as standard with optional chemical and abrasion resistant polycarbonate lens



## Specifications & Options

<b>Label Marking Z1</b>	II 2 G Ex eb mb IIC T4 Gb II 2 D Ex tb IIIC T135°C Db	<b>Certificate No.s Z1</b>	CML 17ATEX3027X CML 21UKEX31015X IECEX CML 17.0018X
<b>Label Marking Z2</b>	II 3 G Ex ec mc IIC T6 Gc II 3 D Ex tc IIIC T85°C Dc	<b>Certificate No.s Z2</b>	CML 17ATEX3036X CML 21UKEX31016X IECEX CML 17.0018X
<b>Zoned areas</b>	Zones 1, 21, 2, 22	<b>IP rating</b>	IP66 & IP67
<b>Ambient range (max)</b>	-40°C to +55°C	<b>IK rating</b>	IK8+ Glass Lens IK10 Polycarbonate Lens
<b>Material</b>	Corrosion resistant aluminium alloy with tempered glass lens. Abrasion and chemical resistant hard coated polycarbonate lens available as an option (-25°C to + 55°C)		
<b>Cable entries</b>	2 x M20 or fixed flying lead		
<b>Electrical connections</b>	4mm <sup>2</sup> cage clamp for single or multi-stranded conductors		
<b>Light source</b>	High Efficiency, maintenance free, long life LED array		
<b>Light output Z1</b>	up to 5,000lm @45W		
<b>Light output Z2</b>	up to 6,000lm @45W		
<b>Supply voltage (s)</b>	120V- 240V AC 50/60 Hz as standard		
<b>Installation / Mounting</b>	Steel swivel mounting bracket		
<b>Control gear</b>	Integral within the luminaire		
<b>Dimensions</b>	200mm x 254mm x 257mm (As per diagram overleaf)		
<b>Wattage</b>	45W		
<b>Weight</b>	6kg		





## CIRCUIT BREAKER / INRUSH CURRENT GUIDE

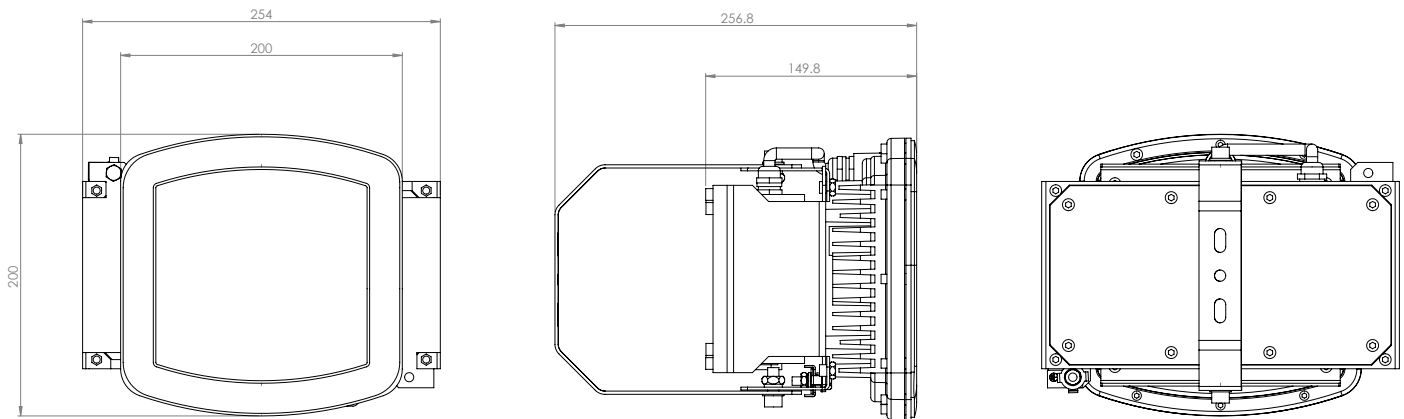
Model	No. of Luminaires per single pole Circuit Breaker				
	Type	10A	16A	20A	25A
ALED2/***/045	B	10	13	17	21
ALED2/***/045	C	17	23	28	33

Supply voltage @230 VAC, mains impedance =  $\Omega$   
 In case of multi-pole CB the maximum number is reduced by 20%.

The maximum number may differ depending on CB manufacturer.

Please consult the manufacturer specifications.

Circuit Breakers with C characteristics are recommended for LED lighting circuits.



## ORDERING INFORMATION

Part Number	Description	Light Output	Power consumption
ALED2/G/Z1/045	200mm Frame Zone 1 Glass Lens	4,750lm	45W
ALED2/P/Z1/045	200mm Frame Zone 1 Polycarbonate Lens	4,500lm	45W
ALED2/G/Z1/045/A5	200mm Frame Zone 1 Glass Lens Pre Wired	4,750lm	45W
ALED2/P/Z1/045/A5	200mm Frame Zone 1 Polycarbonate Lens Pre Wired	4,500lm	45W
ALED2/G/Z2/045	200mm Frame Zone 2 Glass Lens	5,750lm	45W
ALED2/P/Z2/045	200mm Frame Zone 2 Polycarbonate Lens	5,500lm	45W
ALED2/G/Z2/045/A5	200mm Frame Zone 2 Glass Lens Pre Wired	5,750lm	45W
ALED2/P/Z2/045/A5	200mm Frame Zone 2 Polycarbonate Lens Pre Wired	5,500lm	45W
ALED2/G/IND/045	200mm Frame Industrial Glass Lens	5,750lm	45W
ALED2/P/IND/045	200mm Frame Industrial Polycarbonate Lens	5,500lm	45W
ALED2/G/IND/045/A5	200mm Frame Industrial Glass Lens Pre Wired	5,750lm	45W
ALED2/P/IND/045/A5	200mm Frame Industrial Polycarbonate Lens Pre Wired	5,500lm	45W

For safer hazardous areas call us today on

**0121 783 7161**

[sales@petrel-ex.co.uk](mailto:sales@petrel-ex.co.uk) | [www.petrel-ex.co.uk](http://www.petrel-ex.co.uk)

