

Perfect protection for your components

Klippon® EBi stainless steel enclosures for industrial applications

C Industrial environments place high demands on the enclosures. Even moderate environmental conditions require sophisticated measures for protecting the internal components from dust and moisture to ensure trouble-free operation.

Klippon® EBi stainless steel enclosures provide perfect protection for instrumentation, distribution, and control applications. All versions are dust- and water ingress-proof to IP66 or NEMA 4X and impact-resistant to IK09. They are made of durable 1.4301 stainless steel and comply with the latest international standards. The Klippon® EBi enclosures are available with or without a bottom gland plate. Lid fixing options include either a quarter lock (QL) as standard or a fixing screw (FS) version which is available on a request basis.

Your special advantages:

- Protection class IP66 / NEMA 4X
- Impact resistance according to IK09
- International conformity according to EN 62208, DNV GL and UL
- Operating temperatures from -40 °C to +85 °C
- PUR cover gasket for protection and safety
- Flexible wall assembly thanks to rear mounting holes or mounting feet (optional)
- Individual configuration supported by the Weidmüller Configurator (WMC)



Use our online catalogue to find additional product details, technical information and additional services:

www.weidmueller.com/klipponebi



Quarter Lock Insert

Hinged door with a quarter lock facility ensures safe and easy accessibility. If required, hinges can be placed on either side of the enclosure to support side by side placement.



Gland plate with Torx® screws

Torx® screws (M5/T20) are used for gland plate mounting to facilitate compliance with the required torque.



Flexible mounting

A dedicated mounting profile facilitates the flexible, simple and secure installation of mounting rails or mounting plates for component installation within the enclosure.

Klippon® EBi QL – Quarter Lock

Stainless steel enclosures for use within harsh industrial environments

Even under moderate environmental conditions, there is an increasing need for complex, individual automated solutions. A harsh industrial environment places additional, heavy demands on applications and determines the design of the industrial enclosures to meet these demands. With complete protection and excellent durability, our Klippon® EBi stainless steel enclosures offer the best protection for the components inside them.

- Available in 11 sizes and 2 depths
- Impact resistance IK09 (10J) in accordance with DIN EN 50102 for industrial applications
- Dedicated internal mounting support bracket for fixing terminal rail or mounting plates with self forming screws
- Concealed hinges
- Supplied in 0 or 1 gland plate version
- Direct enclosure mounting is provided via the fixing positions placed into the rear of the enclosure
- Mounting feet in stainless steel are optionally available and can be rotated 90°
- Dust and moisture channel
- Double-bit locking system

Our assembly service can supply these enclosure preassembled with terminals, electronics and cable glands.



i Use our online catalogue to find additional product details, technical information and additional services:
www.weidmueller.com/klipponebi



You can find this product family in our Weidmüller Configurator:
www.weidmueller.com/wmc

Overview of enclosures

Ordering data

Description	Height x width x depth in mm	0 Gland Plate	1 Gland Plate (below)
KEBi QL 302015 S2B_***	300 x 200 x 150	2470690000	2470800000
KEBi QL 303015 S2B_***	300 x 300 x 150	2470700000	2470810000
KEBi QL 303022 S2B_***	300 x 300 x 220	2470710000	2470820000
KEBi QL 403015 S2B_*	400 x 300 x 150	2470720000	2470830000
KEBi QL 403022 S2B_*	400 x 300 x 220	2470730000	2470840000
KEBi QL 404022 S2B_*	400 x 400 x 220	2470740000	2470850000
KEBi QL 504022 S2B_*	500 x 400 x 220	2470750000	2470860000
KEBi QL 505022 S2B_*	500 x 500 x 220	2470760000	2470870000
KEBi QL 604022 S2B_*	600 x 400 x 220	2470770000	2470880000
KEBi QL 606022 S2B_*	600 x 600 x 220	2470780000	2470890000
KEBi QL 806022 S2B_*	800 x 600 x 220	2470790000	2470900000

Note *Placeholder for the number of gland plates (0 or 1), **smaller reference size for material thickness

Technical Overview

Features

- Available in 11 sizes and 2 standard depths
- Welded mounting bracket for securing the mounting plate or mounting rail by means of self-tapping screws
- External earth - M6 earth rivet
- Concealed hinges
- M6 earthing bolt welded in the cover and base of the enclosure
- Available with 0 or 1 gland plates
- Optimised laser welding, high quality standard
- Direct mounting of the enclosure with rear mounting holes
- Mounting feet in stainless steel are optionally available, and can be rotated by 90°
- Moisture and dust channel
- Double-bit locking system
- Permanent labelling of items
- Key included for sash lock
- Packaging optimally designed for enclosure

Note

Technical data

Material	Stainless steel 1.4301 (304) 1.5 mm (1.25 mm for smaller sizes**)
Surface	Brushed – grain size 240
IP protection class	IP 66 to DIN EN 60529
NEMA Rating	3, 4x, 5
Gland plates	Stainless steel 1.4301 (304) 2 mm, fitted with M5 Torx T20 screws
Earthing inside	Welded-on M6 stainless-steel earth stud in enclosure lid and base
Earthing outside	External earth position – suitable for M6 threaded screw
Installation mounting	Welded mounting bracket for flexible mounting of the mounting plate, rails or TAS 20 rails. They contain 4.51 mm drill holes for accommodating the mounting plate or TS/TAS by means of self-tapping screws (1274150000)
Enclosure attachment	Direct mounting (9 mm mounting holes on rear wall) or via mounting feet (optionally available), adjustable by 90°
Lid opening	125°
Lid fixing	Quarter lock with double bit
Impact resistance	IK09 (10J) to DIN EN 50102
Gasket material	Polyurethane (PUR) foam (cover), EPDM flat gasket (gland plate)
Operating temperature range	-40 °C ... +85 °C
Tightening torque of gland plates screws*	2,5 Nm
Note	*SD T20 Screwdriver (2749520000) optionally available

Approvals for empty enclosures

Empty enclosure standard	DIN EN 62208
DNV GL	TAE00002RN
cULus	E 243298
Note	For details of power dissipation, please contact your Weidmüller representative.



Height / Width / Depth 300 / 200 / 150 mm

Ordering data

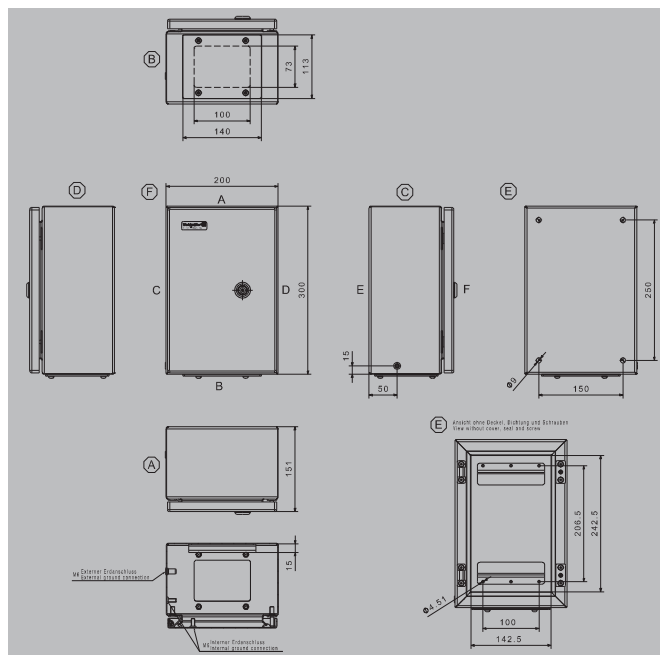
Stainless steel 1.4301 (304), brushed	Order No.
0 gland plates	2470690000
1 gland plate - positioned at the bottom (B)	2470800000

Note

Accessories

Mounting plates and fastening screws	Order No.
Steel sheet, zinc plated	1309690000
Stainless steel 1.4301 natural	1309700000
Fastening screws for terminal rails*	1274150000
Mounting rails**, TS35x7.5	
Vertical	8000037556
Stainless steel spacer M6 x 8, Set of 4	
10 mm length	0935110000
15 mm length	0935120000
20 mm length	0935130000
30 mm length	0935140000
Mild steel nickel plated Spacer M6 x 8, set of 2	
15 mm length	3896100000
20 mm length	3896200000
30 mm length	3896300000
Mounting feet, set containing 4 pieces each	
Stainless steel 1.4301 natural	1289180000
Pressure compensation elements	
Polyamide 6, M12	1868570000
Stainless steel 1.4305, M12	1868550000
Double-bit key	2473930000

Note *Packing unit (PU) = 20 pcs., sufficient for 10 fixtures
 **Packing unit (PU) = 20 pcs., fixing screws 1274150000 available separately



Guide value for max. number of terminals (industry)

Assembly with terminal	vertical	horizontal
2.5 mm ²	1x36	3x17
4 mm ²	1x30	3x14
6 mm ²	1x23	3x11
10 mm ²	1x18	3x9
16 mm ²	1x15	3x7
35 mm ²	1x11	3x5



Note The assembly with modular terminals gives consideration to a distance of 10 mm from the end of each mounting rail. Order recommendations:
 TS 35 Mounting rail with clamping yoke technology WDU, spring-cage terminal ZDU or PUSH IN technology AZC
 TS 32 Mounting rail with clamping yoke technology SAK
 TS 15 Mounting rail with clamping yoke technology AKZ
 Order information for terminal blocks, please refer to online catalogue

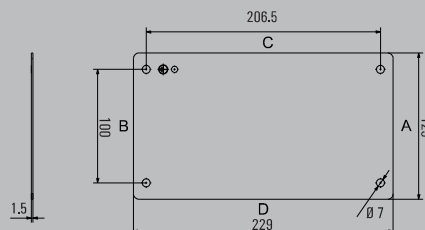
Guide value for max. number of cable entries

Cable entries	A / B	C / D
M12	21	33
M16	15	27
M20	8	14
M25	6	12
M32	3	5
M40	2	4
M50	2	3
M63	1	2
M75		



Note Our IP 68 brass cable glands are used as the reference for these guideline values.

Dimensions of mounting plate





Height / Width / Depth 300 / 300 / 150 mm

Ordering data

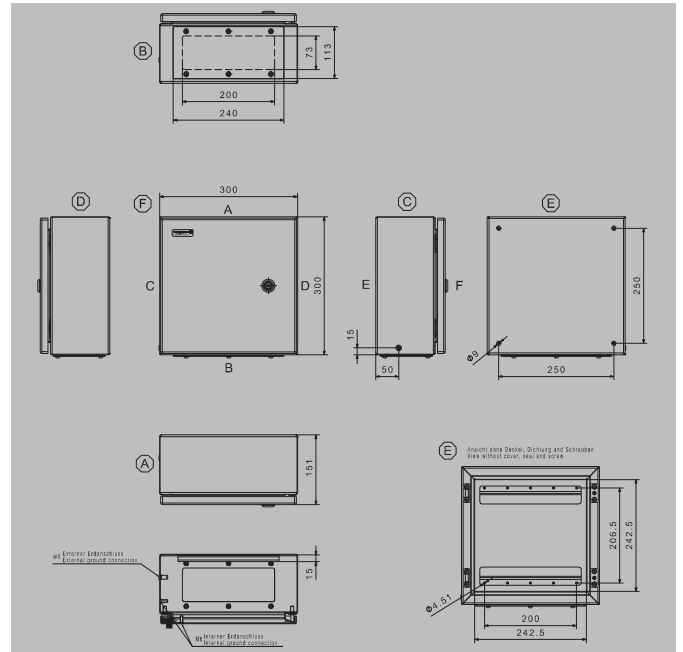
Stainless steel 1.4301 (304), brushed	Order No.
0 gland plates	2470700000
1 gland plate - positioned at the bottom (B)	2470810000

Note

Accessories

Mounting plates and fastening screws	Order No.
Steel sheet, zinc plated	1310410000
Stainless steel 1.4301 natural	1310320000
Fastening screws for terminal rails*	1274150000
Mounting rails**, TS35x7.5	
Vertical	8000037556
Stainless steel spacer M6 x 8, Set of 4	
10 mm length	0935110000
15 mm length	0935120000
20 mm length	0935130000
30 mm length	0935140000
Mild steel nickel plated Spacer M6 x 8, set of 2	
15 mm length	3896100000
20 mm length	3896200000
30 mm length	3896300000
Mounting feet, set containing 4 pieces each	
Stainless steel 1.4301 natural	1289180000
Pressure compensation elements	
Polyamide 6, M12	1868570000
Stainless steel 1.4305, M12	1868550000
Double-bit key	2473930000

Note *Packing unit (PU) = 20 pcs., sufficient for 10 fixtures
**Packing unit (PU) = 20 pcs., fixing screws 1274150000 available separately



Guide value for max. number of terminals (industry)

Assembly with terminal	vertical	horizontal
2.5 mm ²	3x36	3x36
4 mm ²	3x30	3x30
6 mm ²	3x23	3x23
10 mm ²	3x18	3x18
16 mm ²	3x15	3x15
35 mm ²	3x11	3x11

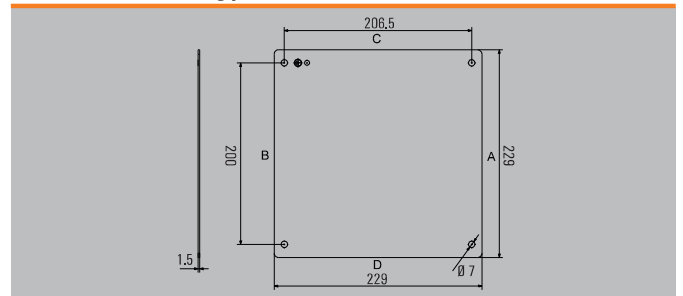
Note The assembly with modular terminals gives consideration to a distance of 10 mm from the end of each mounting rail. Order recommendations:
TS 35 Mounting rail with clamping yoke technology WDU, spring-cage terminal ZDU or PUSH IN technology AZC
TS 32 Mounting rail with clamping yoke technology SAK
TS 15 Mounting rail with clamping yoke technology AKZ
Order information for terminal blocks, please refer to online catalogue

Guide value for max. number of cable entries

Cable entries	A / B	C / D
M12	33	33
M16	27	27
M20	14	14
M25	12	12
M32	5	5
M40	4	4
M50	3	3
M63	2	2
M75		

Note Our IP 68 brass cable glands are used as the reference for these guideline values.

Dimensions of mounting plate





Height / Width / Depth 300 / 300 / 220 mm

Ordering data

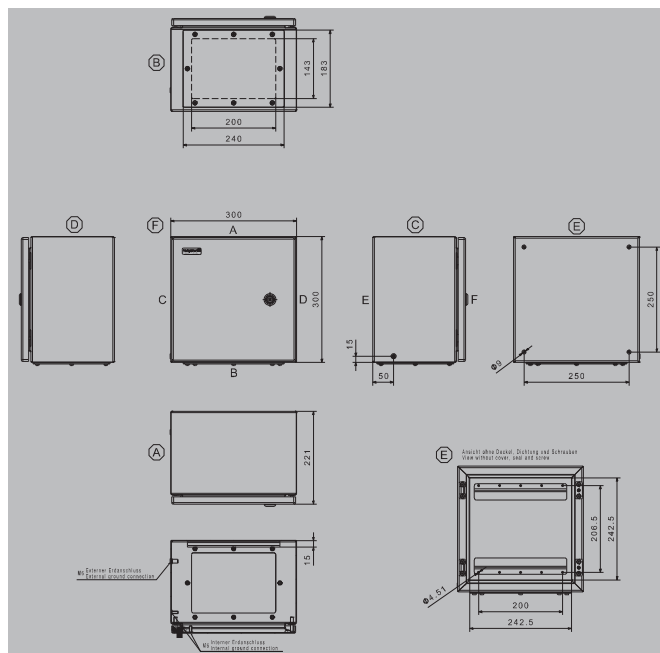
Stainless steel 1.4301 (304), brushed	Order No.
0 gland plates	2470710000
1 gland plate - positioned at the bottom (B)	2470820000

Note

Accessories

Mounting plates and fastening screws	Order No.
Steel sheet, zinc plated	1310410000
Stainless steel 1.4301 natural	1310320000
Fastening screws for terminal rails*	1274150000
Mounting rails**, TS35x7.5	
Vertical	8000037556
Stainless steel spacer M6 x 8, Set of 4	
10 mm length	0935110000
15 mm length	0935120000
20 mm length	0935130000
30 mm length	0935140000
Mild steel nickel plated Spacer M6 x 8, set of 2	
15 mm length	3896100000
20 mm length	3896200000
30 mm length	3896300000
Mounting feet, set containing 4 pieces each	
Stainless steel 1.4301 natural	1289180000
Pressure compensation elements	
Polyamide 6, M12	1868570000
Stainless steel 1.4305, M12	1868550000
Double-bit key	2473930000

Note *Packing unit (PU) = 20 pcs., sufficient for 10 fixtures
**Packing unit (PU) = 20 pcs., fixing screws 1274150000 available separately



Guide value for max. number of terminals (industry)

Assembly with terminal	vertical	horizontal
2.5 mm ²	3x36	3x36
4 mm ²	3x30	3x30
6 mm ²	3x23	3x23
10 mm ²	3x18	3x18
16 mm ²	3x15	3x15
35 mm ²	3x11	3x11



Note The assembly with modular terminals gives consideration to a distance of 10 mm from the end of each mounting rail. Order recommendations:
TS 35 Mounting rail with clamping yoke technology WDU, spring-cage terminal ZDU or PUSH IN technology AZC
TS 32 Mounting rail with clamping yoke technology SAK
TS 15 Mounting rail with clamping yoke technology AKZ
Order information for terminal blocks, please refer to online catalogue

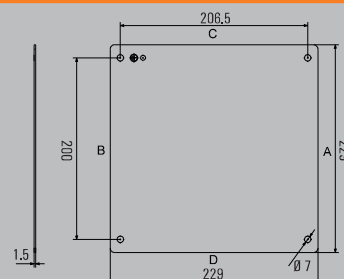
Guide value for max. number of cable entries

Cable entries	A / B	C / D
M12	76	76
M16	45	45
M20	28	28
M25	18	18
M32	15	15
M40	8	8
M50	6	6
M63	2	2
M75	2	2



Note Our IP 68 brass cable glands are used as the reference for these guideline values.

Dimensions of mounting plate





Height / Width / Depth 400 / 300 / 150 mm

Ordering data

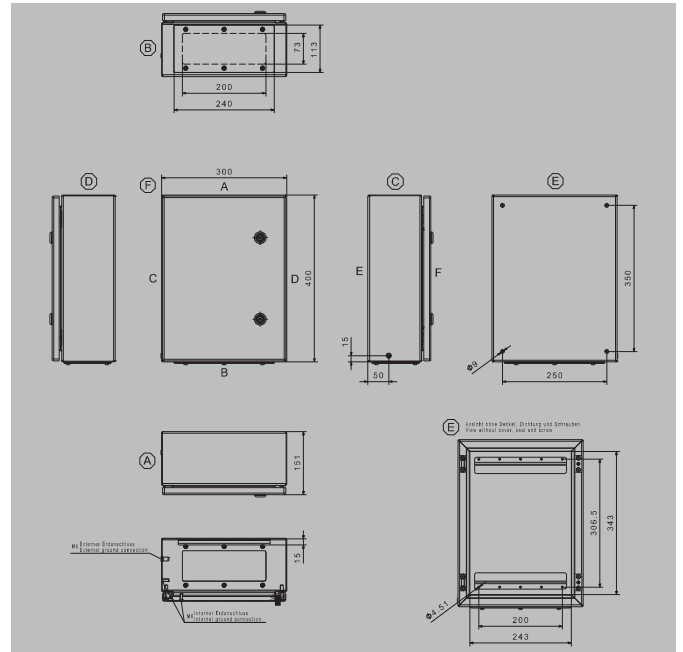
Stainless steel 1.4301 (304), brushed	Order No.
0 gland plates	2470720000
1 gland plate - positioned at the bottom (B)	2470830000

Note

Accessories

Mounting plates and fastening screws	Order No.
Steel sheet, zinc plated	1310420000
Stainless steel 1.4301 natural	1310330000
Fastening screws for terminal rails*	1274150000
Mounting rails**, TS35x7.5	
Vertical	8000037555
Stainless steel spacer M6 x 8, Set of 4	
10 mm length	0935110000
15 mm length	0935120000
20 mm length	0935130000
30 mm length	0935140000
Mild steel nickel plated Spacer M6 x 8, set of 2	
15 mm length	3896100000
20 mm length	3896200000
30 mm length	3896300000
Mounting feet, set containing 4 pieces each	
Stainless steel 1.4301 natural	1289180000
Pressure compensation elements	
Polyamide 6, M12	1868570000
Stainless steel 1.4305, M12	1868550000
Double-bit key	2473930000

Note *Packing unit (PU) = 20 pcs., sufficient for 10 fixtures
**Packing unit (PU) = 20 pcs., fixing screws 1274150000 available separately



Guide value for max. number of terminals (industry)

Assembly with terminal	vertical	horizontal
2.5 mm ²	3x56	4x36
4 mm ²	3x47	4x30
6 mm ²	3x35	4x23
10 mm ²	3x28	4x18
16 mm ²	3x23	4x15
35 mm ²	3x18	4x11



Note The assembly with modular terminals gives consideration to a distance of 10 mm from the end of each mounting rail. Order recommendations:
TS 35 Mounting rail with clamping yoke technology WDU, spring-cage terminal ZDU or PUSH IN technology AZC
TS 32 Mounting rail with clamping yoke technology SAK
TS 15 Mounting rail with clamping yoke technology AKZ
Order information for terminal blocks, please refer to online catalogue

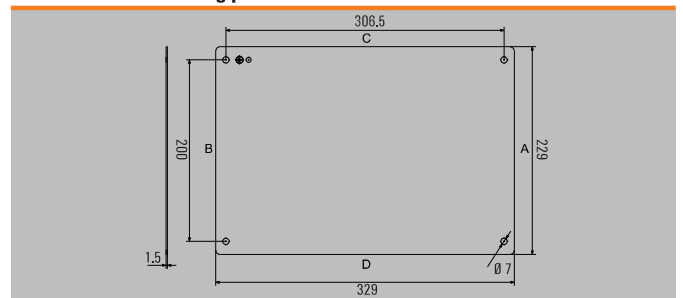
Guide value for max. number of cable entries

Cable entries	A / B	C / D
M12	33	48
M16	27	39
M20	14	20
M25	12	16
M32	5	7
M40	4	5
M50	3	4
M63	2	3
M75		



Note Our IP 68 brass cable glands are used as the reference for these guideline values.

Dimensions of mounting plate





Height / Width / Depth 400 / 300 / 220 mm

Ordering data

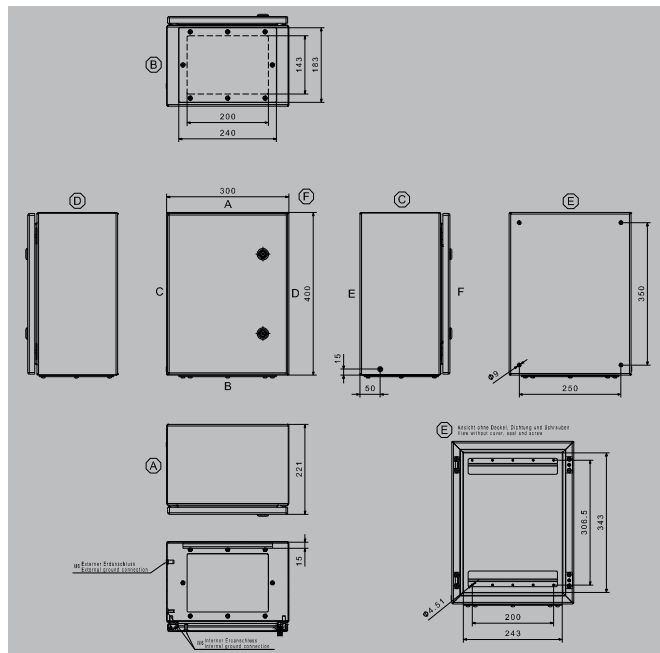
Stainless steel 1.4301 (304), brushed	Order No.
0 gland plates	2470730000
1 gland plate - positioned at the bottom (B)	2470840000

Note

Accessories

Mounting plates and fastening screws	Order No.
Steel sheet, zinc plated	1310420000
Stainless steel 1.4301 natural	1310330000
Fastening screws for terminal rails*	1274150000
Mounting rails**, TS35x7.5	
Vertical	8000037555
Stainless steel spacer M6 x 8, Set of 4	
10 mm length	0935110000
15 mm length	0935120000
20 mm length	0935130000
30 mm length	0935140000
Mild steel nickel plated Spacer M6 x 8, set of 2	
15 mm length	3896100000
20 mm length	3896200000
30 mm length	3896300000
Mounting feet, set containing 4 pieces each	
Stainless steel 1.4301 natural	1289180000
Pressure compensation elements	
Polyamide 6, M12	1868570000
Stainless steel 1.4305, M12	1868550000
Double-bit key	2473930000

Note *Packing unit (PU) = 20 pcs., sufficient for 10 fixtures
**Packing unit (PU) = 20 pcs., fixing screws 1274150000 available separately



Guide value for max. number of terminals (industry)

Assembly with terminal	vertical	horizontal
2.5 mm ²	3x56	4x36
4 mm ²	3x47	4x30
6 mm ²	3x35	4x23
10 mm ²	3x28	4x18
16 mm ²	3x23	4x15
35 mm ²	3x18	4x11



Note The assembly with modular terminals gives consideration to a distance of 10 mm from the end of each mounting rail. Order recommendations:
TS 35 Mounting rail with clamping yoke technology WDU, spring-cage terminal ZDU or PUSH IN technology AZC
TS 32 Mounting rail with clamping yoke technology SAK
TS 15 Mounting rail with clamping yoke technology AKZ
Order information for terminal blocks, please refer to online catalogue

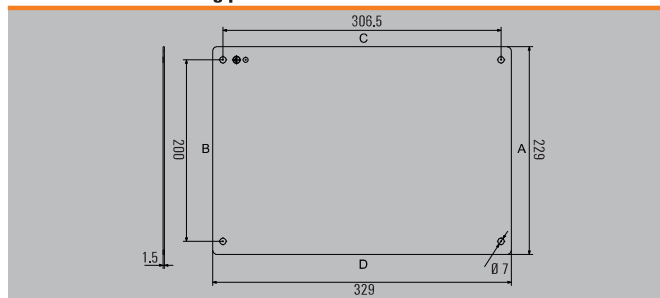
Guide value for max. number of cable entries

Cable entries	A / B	C / D
M12	76	112
M16	45	65
M20	28	40
M25	18	24
M32	15	21
M40	8	10
M50	6	8
M63	2	3
M75	2	2



Note Our IP 68 brass cable glands are used as the reference for these guideline values.

Dimensions of mounting plate





Height / Width / Depth 400 / 400 / 220 mm

Ordering data

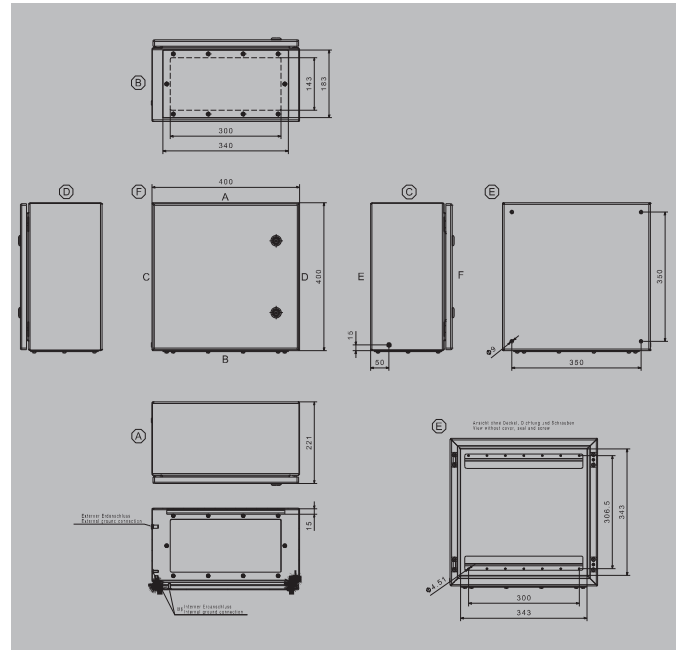
Stainless steel 1.4301 (304), brushed	Order No.
0 gland plates	2470740000
1 gland plate - positioned at the bottom (B)	2470850000

Note

Accessories

Mounting plates and fastening screws	Order No.
Steel sheet, zinc plated	1310430000
Stainless steel 1.4301 natural	1310340000
Fastening screws for terminal rails*	1274150000
Mounting rails**, TS35x7.5	
Vertical	8000037555
Stainless steel spacer M6 x 8, Set of 4	
10 mm length	0935110000
15 mm length	0935120000
20 mm length	0935130000
30 mm length	0935140000
Mild steel nickel plated Spacer M6 x 8, set of 2	
15 mm length	3896100000
20 mm length	3896200000
30 mm length	3896300000
Mounting feet, set containing 4 pieces each	
Stainless steel 1.4301 natural	1289180000
Pressure compensation elements	
Polyamide 6, M12	1868570000
Stainless steel 1.4305, M12	1868550000
Double-bit key	2473930000

Note *Packing unit (PU) = 20 pcs., sufficient for 10 fixtures
**Packing unit (PU) = 20 pcs., fixing screws 1274150000 available separately



Guide value for max. number of terminals (industry)

Assembly with terminal	vertical	horizontal
2.5 mm ²	4x56	4x56
4 mm ²	4x47	4x47
6 mm ²	4x35	4x35
10 mm ²	4x28	4x28
16 mm ²	4x23	4x23
35 mm ²	4x18	4x18



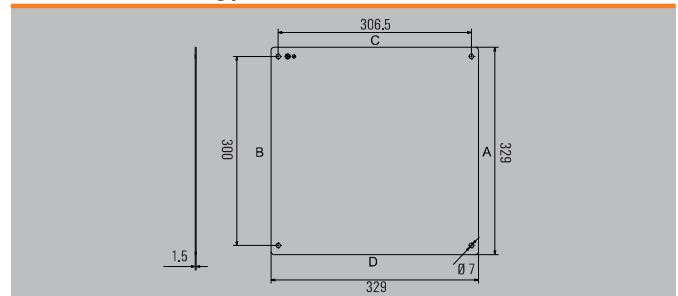
Note The assembly with modular terminals gives consideration to a distance of 10 mm from the end of each mounting rail. Order recommendations:
TS 35 Mounting rail with clamping yoke technology WDU, spring-cage terminal ZDU or PUSH IN technology AZC
TS 32 Mounting rail with clamping yoke technology SAK
TS 15 Mounting rail with clamping yoke technology AKZ
Order information for terminal blocks, please refer to online catalogue

Guide value for max. number of cable entries

Cable entries	A / B	C / D
M12	112	112
M16	65	65
M20	40	40
M25	24	24
M32	21	21
M40	10	10
M50	8	8
M63	3	3
M75	2	2

Note Our IP 68 brass cable glands are used as the reference for these guideline values.

Dimensions of mounting plate





Height / Width / Depth 500 / 400 / 220 mm

Ordering data

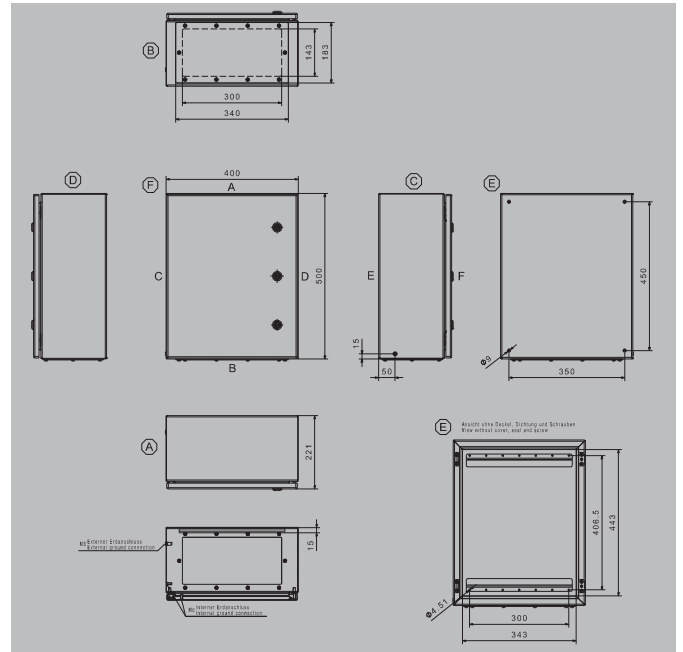
Stainless steel 1.4301 (304), brushed	Order No.
0 gland plates	2470750000
1 gland plate - positioned at the bottom (B)	2470860000

Note

Accessories

Mounting plates and fastening screws	Order No.
Steel sheet, zinc plated	1310440000
Stainless steel 1.4301 natural	1310350000
Fastening screws for terminal rails*	1274150000
Mounting rails**, TS35x7.5	
Vertical	8000037554
Stainless steel spacer M6 x 8, Set of 4	
10 mm length	0935110000
15 mm length	0935120000
20 mm length	0935130000
30 mm length	0935140000
Mild steel nickel plated Spacer M6 x 8, set of 2	
15 mm length	3896100000
20 mm length	3896200000
30 mm length	3896300000
Mounting feet, set containing 4 pieces each	
Stainless steel 1.4301 natural	1289180000
Pressure compensation elements	
Polyamide 6, M12	1868570000
Stainless steel 1.4305, M12	1868550000
Double-bit key	2473930000

Note *Packing unit (PU) = 20 pcs., sufficient for 10 fixtures
**Packing unit (PU) = 20 pcs., fixing screws 1274150000 available separately



Guide value for max. number of terminals (industry)

Assembly with terminal	vertical	horizontal
2.5 mm ²	4x75	6x56
4 mm ²	4x63	6x47
6 mm ²	4x47	6x35
10 mm ²	4x38	6x28
16 mm ²	4x32	6x23
35 mm ²	4x24	6x18



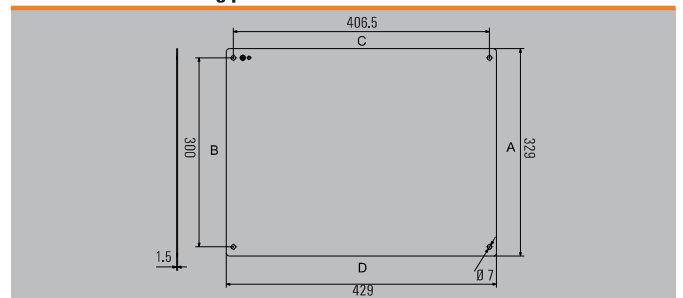
Note The assembly with modular terminals gives consideration to a distance of 10 mm from the end of each mounting rail. Order recommendations:
TS 35 Mounting rail with clamping yoke technology WDU, spring-cage terminal ZDU or PUSH IN technology AZC
TS 32 Mounting rail with clamping yoke technology SAK
TS 15 Mounting rail with clamping yoke technology AKZ
Order information for terminal blocks, please refer to online catalogue

Guide value for max. number of cable entries

Cable entries	A / B	C / D
M12	112	140
M16	65	85
M20	40	52
M25	24	33
M32	21	27
M40	10	14
M50	8	10
M63	3	4
M75	2	3

Note Our IP 68 brass cable glands are used as the reference for these guideline values.

Dimensions of mounting plate





Height / Width / Depth 500 / 500 / 220 mm

Ordering data

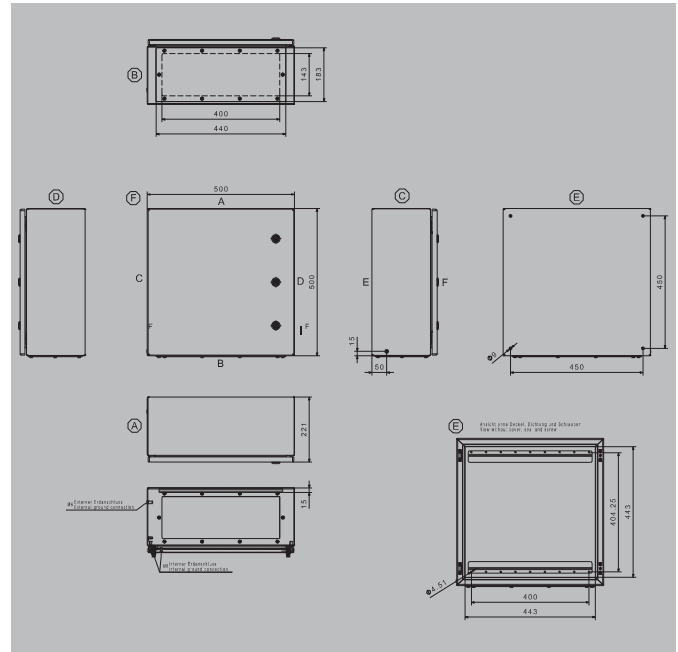
Stainless steel 1.4301 (304), brushed	Order No.
0 gland plates	2470760000
1 gland plate - positioned at the bottom (B)	2470870000

Note

Accessories

Mounting plates and fastening screws	Order No.
Steel sheet, zinc plated	1310450000
Stainless steel 1.4301 natural	1310360000
Fastening screws for terminal rails*	1274150000
Mounting rails**, TS35x7.5	
Vertical	8000037554
Stainless steel spacer M6 x 8, Set of 4	
10 mm length	0935110000
15 mm length	0935120000
20 mm length	0935130000
30 mm length	0935140000
Mild steel nickel plated Spacer M6 x 8, set of 2	
15 mm length	3896100000
20 mm length	3896200000
30 mm length	3896300000
Mounting feet, set containing 4 pieces each	
Stainless steel 1.4301 natural	1289180000
Pressure compensation elements	
Polyamide 6, M12	1868570000
Stainless steel 1.4305, M12	1868550000
Double-bit key	2473930000

Note *Packing unit (PU) = 20 pcs., sufficient for 10 fixtures
**Packing unit (PU) = 20 pcs., fixing screws 1274150000 available separately



Guide value for max. number of terminals (industry)

Assembly with terminal	vertical	horizontal
2.5 mm ²	6x75	6x75
4 mm ²	6x63	6x63
6 mm ²	6x47	6x47
10 mm ²	6x38	6x38
16 mm ²	6x32	6x32
35 mm ²	6x24	6x24



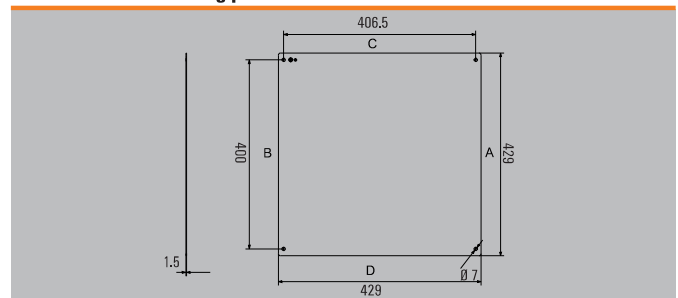
Note The assembly with modular terminals gives consideration to a distance of 10 mm from the end of each mounting rail. Order recommendations:
TS 35 Mounting rail with clamping yoke technology WDU, spring-cage terminal ZDU or PUSH IN technology AZC
TS 32 Mounting rail with clamping yoke technology SAK
TS 15 Mounting rail with clamping yoke technology AKZ
Order information for terminal blocks, please refer to online catalogue

Guide value for max. number of cable entries

Cable entries	A / B	C / D
M12	140	140
M16	85	85
M20	52	52
M25	33	33
M32	27	27
M40	14	14
M50	10	10
M63	4	4
M75	3	3

Note Our IP 68 brass cable glands are used as the reference for these guideline values.

Dimensions of mounting plate





Height / Width / Depth 600 / 400 / 220 mm

Ordering data

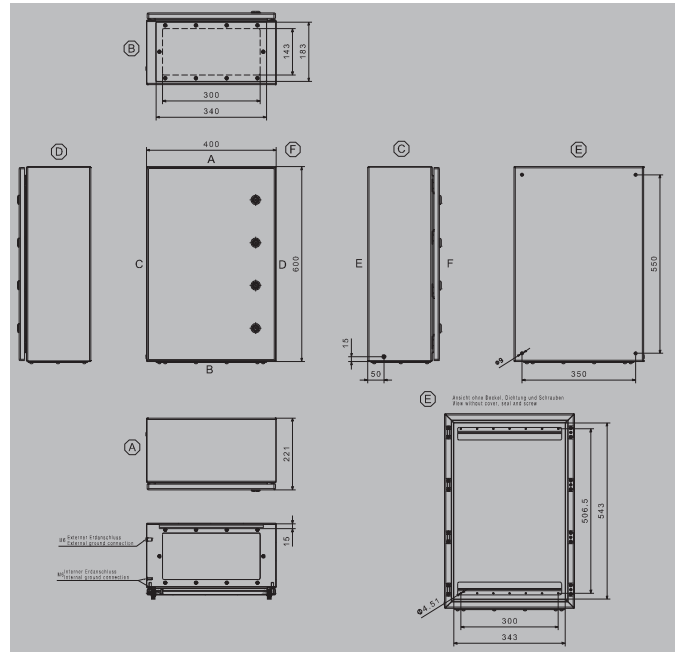
Stainless steel 1.4301 (304), brushed	Order No.
0 gland plates	2470770000
1 gland plate - positioned at the bottom (B)	2470880000

Note

Accessories

Mounting plates and fastening screws	Order No.
Steel sheet, zinc plated	1310460000
Stainless steel 1.4301 natural	1310370000
Fastening screws for terminal rails*	1274150000
Mounting rails**, TS35x7.5	
Vertical	8000037553
Stainless steel spacer M6 x 8, Set of 4	
10 mm length	0935110000
15 mm length	0935120000
20 mm length	0935130000
30 mm length	0935140000
Mild steel nickel plated Spacer M6 x 8, set of 2	
15 mm length	3896100000
20 mm length	3896200000
30 mm length	3896300000
Mounting feet, set containing 4 pieces each	
Stainless steel 1.4301 natural	1289180000
Pressure compensation elements	
Polyamide 6, M12	1868570000
Stainless steel 1.4305, M12	1868550000
Double-bit key	2473930000

Note *Packing unit (PU) = 20 pcs., sufficient for 10 fixtures
 **Packing unit (PU) = 20 pcs., fixing screws 1274150000 available separately



Guide value for max. number of terminals (industry)

Assembly with terminal	vertical	horizontal
2.5 mm ²	4x94	8x56
4 mm ²	4x79	8x47
6 mm ²	4x60	8x35
10 mm ²	4x48	8x28
16 mm ²	4x40	8x23
35 mm ²	4x30	8x18



Note The assembly with modular terminals gives consideration to a distance of 10 mm from the end of each mounting rail. Order recommendations:
 TS 35 Mounting rail with clamping yoke technology WDU, spring-cage terminal ZDU or PUSH IN technology AZC
 TS 32 Mounting rail with clamping yoke technology SAK
 TS 15 Mounting rail with clamping yoke technology AKZ
 Order information for terminal blocks, please refer to online catalogue

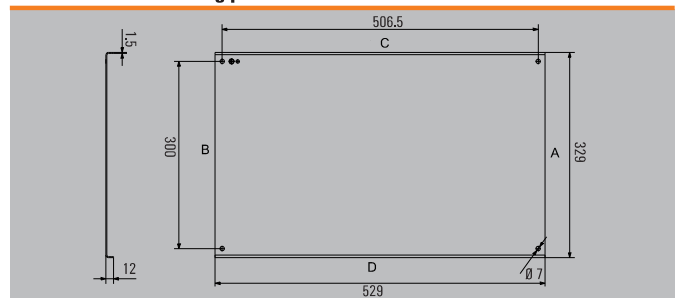
Guide value for max. number of cable entries

Cable entries	A / B	C / D
M12	112	176
M16	65	96
M20	40	64
M25	24	39
M32	21	33
M40	10	16
M50	8	14
M63	3	5
M75	2	4



Note Our IP 68 brass cable glands are used as the reference for these guideline values.

Dimensions of mounting plate





Height / Width / Depth 600 / 600 / 220 mm

Ordering data

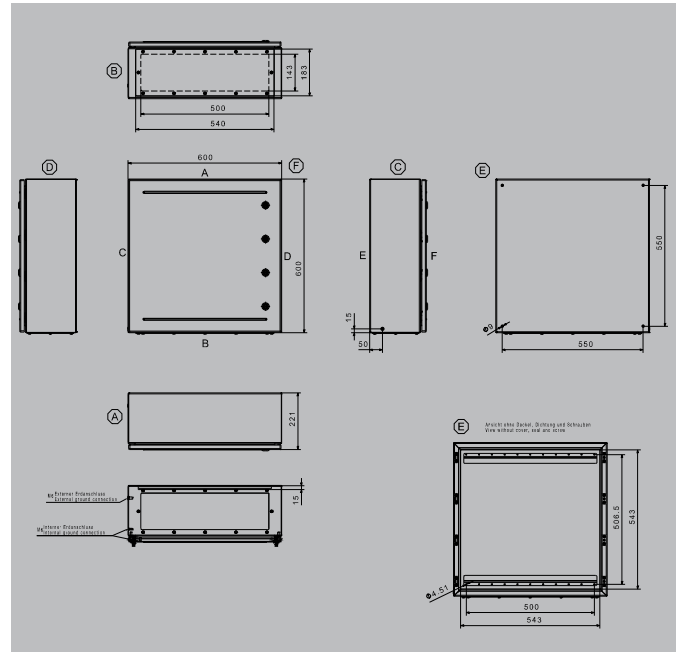
Stainless steel 1.4301 (304), brushed	Order No.
0 gland plates	2470780000
1 gland plate - positioned at the bottom (B)	2470890000

Note

Accessories

Mounting plates and fastening screws	Order No.
Steel sheet, zinc plated	1310470000
Stainless steel 1.4301 natural	1310380000
Fastening screws for terminal rails*	1274150000
Mounting rails**, TS35x7.5	
Vertical	8000037553
Stainless steel spacer M6 x 8, Set of 4	
10 mm length	0935110000
15 mm length	0935120000
20 mm length	0935130000
30 mm length	0935140000
Mild steel nickel plated Spacer M6 x 8, set of 2	
15 mm length	3896100000
20 mm length	3896200000
30 mm length	3896300000
Mounting feet, set containing 4 pieces each	
Stainless steel 1.4301 natural	1289180000
Pressure compensation elements	
Polyamide 6, M12	1868570000
Stainless steel 1.4305, M12	1868550000
Double-bit key	2473930000

Note *Packing unit (PU) = 20 pcs., sufficient for 10 fixtures
**Packing unit (PU) = 20 pcs., fixing screws 1274150000 available separately



Guide value for max. number of terminals (industry)

Assembly with terminal	vertical	horizontal
2.5 mm ²	8x94	8x94
4 mm ²	8x79	8x79
6 mm ²	8x60	8x60
10 mm ²	8x48	8x48
16 mm ²	8x40	8x40
35 mm ²	8x30	8x30



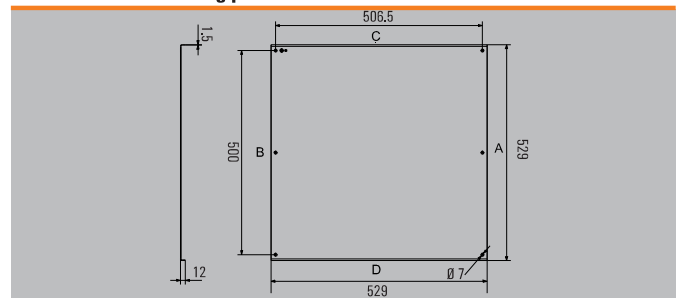
Note The assembly with modular terminals gives consideration to a distance of 10 mm from the end of each mounting rail. Order recommendations:
TS 35 Mounting rail with clamping yoke technology WDU, spring-cage terminal ZDU or PUSH IN technology AZC
TS 32 Mounting rail with clamping yoke technology SAK
TS 15 Mounting rail with clamping yoke technology AKZ
Order information for terminal blocks, please refer to online catalogue

Guide value for max. number of cable entries

Cable entries	A / B	C / D
M12	165	176
M16	96	96
M20	64	64
M25	39	39
M32	33	33
M40	16	16
M50	14	14
M63	5	5
M75	4	4

Note Our IP 68 brass cable glands are used as the reference for these guideline values.

Dimensions of mounting plate





800 / 600 / 220 mm

Ordering data

Stainless steel 1.4301 (304), brushed	Order No.
0 gland plates	2470790000
1 gland plate - positioned at the bottom (B)	2470900000

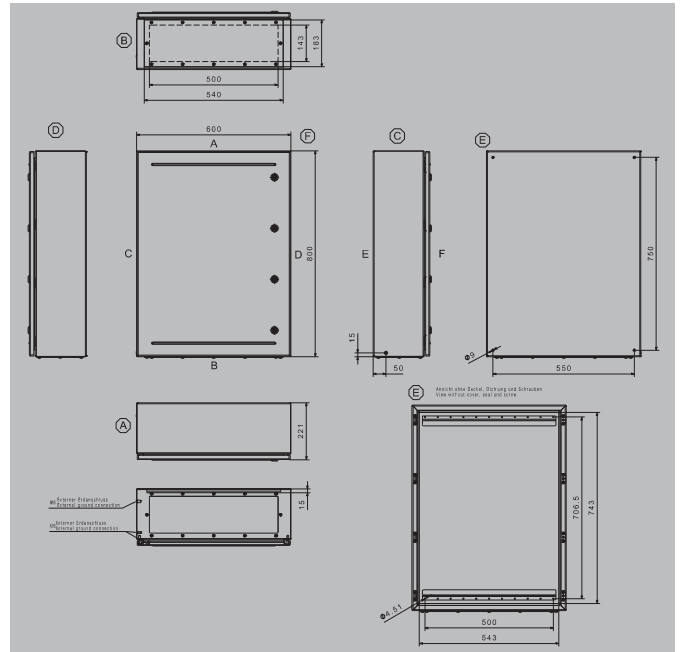
Note

Accessories

Mounting plates and fastening screws	Order No.
Steel sheet, zinc plated	1310480000
Stainless steel 1.4301 natural	1310390000
Fastening screws for terminal rails*	1274150000
Mounting rails**, TS35x7.5	
Vertical	8000037552
Stainless steel spacer M6 x 8, Set of 4	
10 mm length	0935110000
15 mm length	0935120000
20 mm length	0935130000
30 mm length	0935140000
Mild steel nickel plated Spacer M6 x 8, set of 2	
15 mm length	3896100000
20 mm length	3896200000
30 mm length	3896300000
Mounting feet, set containing 4 pieces each	
Stainless steel 1.4301 natural	1289180000
Pressure compensation elements	
Polyamide 6, M12	1868570000
Stainless steel 1.4305, M12	1868550000
Double-bit key	2473930000

Note

*Packing unit (PU) = 20 pcs., sufficient for 10 fixtures
 **Packing unit (PU) = 20 pcs., fixing screws 1274150000 available separately



Guide value for max. number of terminals (industry)

Assembly with terminal	vertical	horizontal
2.5 mm ²	8x133	11x94
4 mm ²	8x111	11x79
6 mm ²	8x84	11x60
10 mm ²	8x67	11x48
16 mm ²	8x56	11x40
35 mm ²	8x42	11x30

Note

The assembly with modular terminals gives consideration to a distance of 10 mm from the end of each mounting rail. Order recommendations:
 TS 35 Mounting rail with clamping yoke technology WDU, spring-cage terminal ZDU or PUSH IN technology AZC
 TS 32 Mounting rail with clamping yoke technology SAK
 TS 15 Mounting rail with clamping yoke technology AKZ
 Order information for terminal blocks, please refer to online catalogue

Guide value for max. number of cable entries

Cable entries	A / B	C / D
M12	165	222
M16	96	140
M20	64	88
M25	39	54
M32	33	45
M40	16	22
M50	14	18
M63	5	7
M75	4	5

Note

Our IP 68 brass cable glands are used as the reference for these guideline values.

Dimensions of mounting plate

