

Klippon® EBx enclosure range, newly launched in 2019, is offered as high quality and leading performance characteristics in oil and chemistry hazardous industry. It is certified and comply with the latest international standards- including ATEX and IEC Ex

#### Features:

- With two materials
  - stainless steel 1.4301(SUS304)
  - stainless steel 1.4404(SUS316)
- Lid fixing with two types
  - QL ( with hinge and lock)
  - HS (with hinge and screws)
- Suitable sizes
- High quality and competitive
- With optional accessories (ordered additionally)
  - external mounting feet, 4pcs/set
  - internal mounting plates
  - gland plates



#### Technical data

material	Enclosure body: with stainless steel.4301(SUS304) or 1.4404 (SUS316) , sheet thickness 1.5mm Lid: with 1.5mm sheet (2.0mm only for height 600xwidth 400mm and above)
Surface treatment	Mechanical brushed
Gasket	Silicon
External earthing	Brass go-through M10 bolt
Internal earthing	Stainless steel M6 stud
Components fixing	Rail assembly with TAS20/TS35, or on a mounting plate via screws
Enclosure installation	4xM6 threaded blinded nuts (enclosure with height 300mm and below) 4xM8 threaded blinded nuts (enclosure with height 400mm and above)
IP grade	IP66
Impact	10J
Temperature range	-55°C to +135°C

#### Approvals

##### Empty enclosure:

GB certification	NEPSI GYJ19.1123U Ex e IIC Gb Ex tD A21 IP66
IEC Ex	IECEX NEP 19.0014U Ex eb IIC Gb Ex tb IIIC Db
ATEX	CML 19ATEX 3334U II 2G Ex eb IIC Gb II 2D Ex tb IIIC Db

##### Assembly enclosure:

GB certification	NEPSI GYJ19.1122 Ex e IIC T6...T4 Gb Ex ia IIC T6...T4 Ga Ex tD A21 IP66 T85°C...T135°C
IEC Ex	IECEX NEP 19.0018X Ex eb IIC T6...T4 Gb Ex ia IIC T6...T4 Ga Ex tb IIIC T85°C...T135°C Db
ATEX	CML 19ATEX 3335X II 2G Ex eb IIC T6...T4 Gb II 1G Ex ia IIC T6...T4 Ga II 2D Ex tb IIIC T85°C...T135°C Db

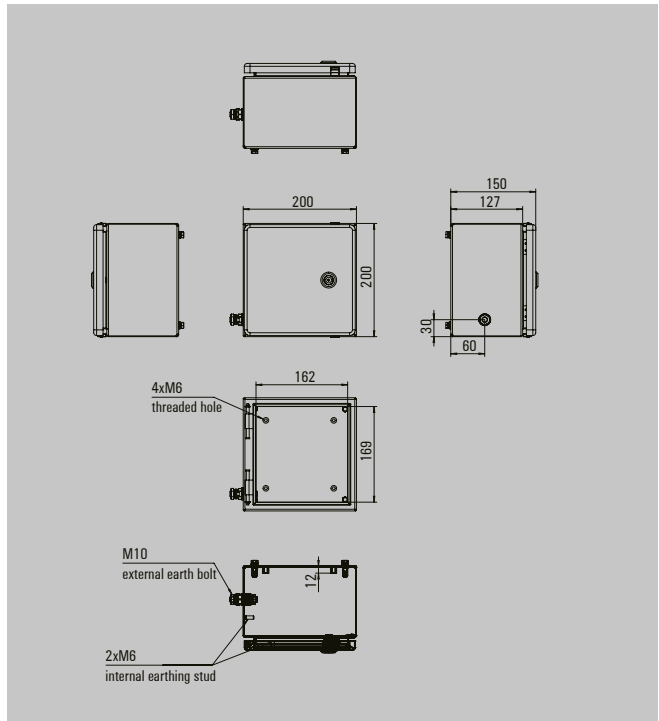
Overall sizes and article no.

TYPE(Hinge+Lock)	H x W x D(mm)	SUS304,0GP	SUS304,1GP	SUS316,0GP	SUS316,1GP
KEBx QL 202015 S*B*	200 x 200 x 150	2660200000		2660200039	
KEBx QL 202615 S*B*	200 x 260 x 150	2660200001		2660200040	
KEBx QL 203015 S*B*	200 x 300 x 150	2660200002		2660200041	
KEBx QL 203020 S*B*	200 x 300 x 200	2660200003	2660200004	2660200042	2660200043
KEBx QL 262615 S*B*	260 x 260 x 150	2660200005		2660200044	
KEBx QL 262620 S*B*	260 x 260 x 200	2660200006	2660200007	2660200045	2660200046
KEBx QL 263015 S*B*	260 x 300 x 150	2660200008		2660200047	
KEBx QL 263020 S*B*	260 x 300 x 200	2660200009	2660200010	2660200048	2660200049
KEBx QL 302615 S*B*	300 x 260 x 150	2660200011		2660200050	
KEBx QL 302620 S*B*	300 x 260 x 200	2660200012	2660200013	2660200051	2660200052
KEBx QL 303215 S*B*	300 x 320 x 150	2660200014		2660200053	
KEBx QL 303220 S*B*	300 x 320 x 200	2660200015	2660200016	2660200054	2660200055
KEBx QL 304015 S*B*	300 x 400 x 150	2660200017		2660200056	
KEBx QL 304020 S*B*	300 x 400 x 200	2660200018	2660200019	2660200057	2660200058
KEBx QL 403015 S*B*	400 x 300 x 150	2660200020		2660200059	
KEBx QL 403020 S*B*	400 x 300 x 200	2660200021	2660200022	2660200060	2660200061
KEBx QL 504022 S*B*	500 x 400 x 220	2660200023	2660200024	2660200062	2660200063
KEBx QL 504030 S*B*	500 x 400 x 300	2660200025	2660200026	2660200064	2660200065
KEBx QL 405022 S*B*	400 x 500 x 220	2660200027	2660200028	2660200066	2660200067
KEBx QL 405030 S*B*	400 x 500 x 300	2660200029	2660200030	2660200068	2660200069
KEBx QL 604022 S*B*	600 x 400 x 220	2660200031	2660200032	2660200070	2660200071
KEBx QL 604030 S*B*	600 x 400 x 300	2660200033	2660200034	2660200072	2660200073
KEBx QL 806030 S*B*	800 x 600 x 300	2660200035	2660200036	2660200074	2660200075

TYPE (Hinge+Screws)	H x W x D(mm)	SUS304,0GP	SUS304,1GP	SUS316,0GP	SUS316,1GP
KEBx HS 202015 S*B*	200 x 200 x 150	2660200078		2660200117	
KEBx HS 202615 S*B*	200 x 260 x 150	2660200079		2660200118	
KEBx HS 203015 S*B*	200 x 300 x 150	2660200080		2660200119	
KEBx HS 203020 S*B*	200 x 300 x 200	2660200081	2660200082	2660200120	2660200121
KEBx HS 262615 S*B*	260 x 260 x 150	2660200083		2660200122	
KEBx HS 262620 S*B*	260 x 260 x 200	2660200084	2660200085	2660200123	2660200124
KEBx HS 263015 S*B*	260 x 300 x 150	2660200086		2660200125	
KEBx HS 263020 S*B*	260 x 300 x 200	2660200087	2660200088	2660200126	2660200127
KEBx HS 302615 S*B*	300 x 260 x 150	2660200089		2660200128	
KEBx HS 302620 S*B*	300 x 260 x 200	2660200090	2660200091	2660200129	2660200130
KEBx HS 303215 S*B*	300 x 320 x 150	2660200092		2660200131	
KEBx HS 303220 S*B*	300 x 320 x 200	2660200093	2660200094	2660200132	2660200133
KEBx HS 304015 S*B*	300 x 400 x 150	2660200095		2660200134	
KEBx HS 304020 S*B*	300 x 400 x 200	2660200096	2660200097	2660200135	2660200136
KEBx HS 403015 S*B*	400 x 300 x 150	2660200098		2660200137	
KEBx HS 403020 S*B*	400 x 300 x 200	2660200099	2660200100	2660200138	2660200139
KEBx HS 504022 S*B*	500 x 400 x 220	2660200101	2660200102	2660200140	2660200141
KEBx HS 504030 S*B*	500 x 400 x 300	2660200103	2660200104	2660200142	2660200143
KEBx HS 405022 S*B*	400 x 500 x 220	2660200105	2660200106	2660200144	2660200145
KEBx HS 405030 S*B*	400 x 500 x 300	2660200107	2660200108	2660200146	2660200147
KEBx HS 604022 S*B*	600 x 400 x 220	2660200109	2660200110	2660200148	2660200149
KEBx HS 604030 S*B*	600 x 400 x 300	2660200111	2660200112	2660200150	2660200151
KEBx HS 806030 S*B*	800 x 600 x 300	2660200113	2660200114	2660200152	2660200153

Klippon® EBx QL 202015

Depth 150 mm



H x W x D(mm) 200 x 200 x 150

Order data

			Order No.
SS 14301 SUS304	OGP	KEBx QL 202015 S2B0	2660200000
	1GP		
SS 14404 SUS316L	OGP	KEBx QL 202015 S4B0	2660200039
	1GP		

Accessories

Mounting plate(3mm, ordered separately)			Order No.
	Zinc plated steel(SGCC)	KEB MOPL 2020 MSZN	2660200156
	SS 14301 SUS304	KEB MOPL 2020 S2	2660200190
	SS 14404 SUS316	KEB MOPL 2020 S4	2660200173

Mounting feet(ordered separately, 4pcs/set)			Order No.
	SS 14301 SUS304	KEB MOFT SMALL S2	2660200171
	Zinc plated steel(SGCC)	KEB MOFT SMALL MSZN	2660200205
	SS 14404 SUS316	KEB MOFT SMALL S4	2660200188

Terminals (with WDU series as reference)

Max. number of terminals(industry)	Vertially	Horizontally
2.5 mm	2x31	2x31
4 mm	1x24	1x24
6 mm	1x17	1x17
10 mm	1x13	1x13
16 mm		
35 mm		



Note :

Terminal blocks shall be assembled via TAS20 or on a mounting plate  
 Assembly with terminal blocks provides for 10 mm clearance to the ends of the mounting rail.  
 Recommended order:

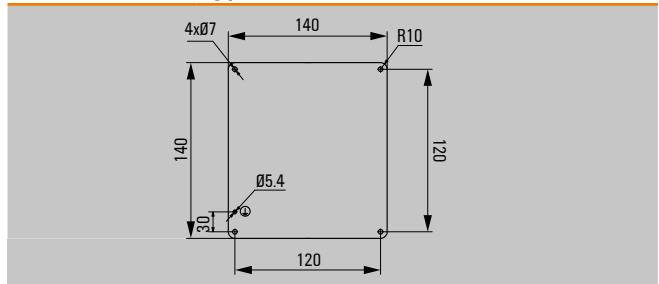
The number of terminals are calculated based on WDU\* dimensions, only for reference.

Number of cable entries (based on OGP version)

	A/B	C/D	
	M20	8	6/8
	M25	6	4/6
	M32	2	1/2
	M40	2	1/2
	M50	1	1

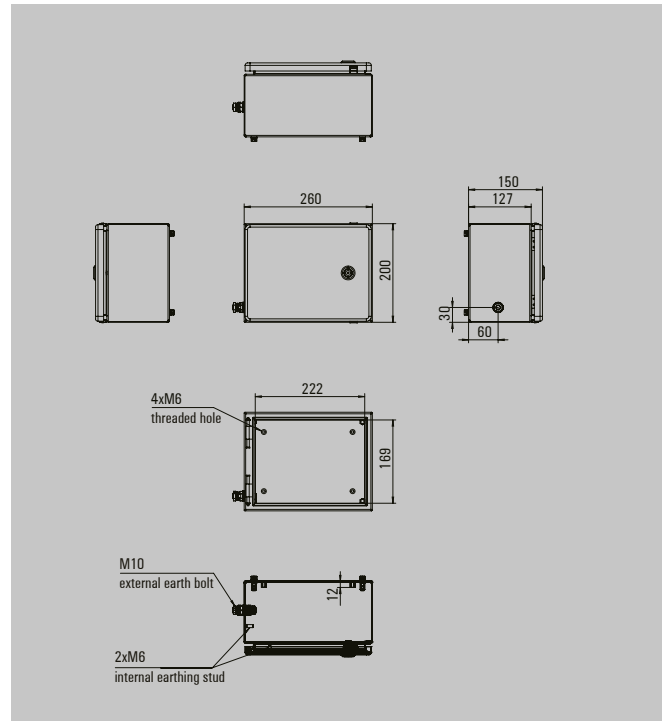
Note : the number of cable entries above, only serve as a reference when size selection.

Dimensions of mounting plate



Klippon® EBx QL 202615

Depth 150 mm





H x W x D(mm) 200 x 260 x 150

Order data


			Order No.
SS 14301 SUS304	OGP	KEBx QL 202615 S2B0	2660200001
	1GP		
SS 14404 SUS316L	OGP	KEBx QL 202615 S4B0	2660200040
	1GP		

Accessories

Mounting plate(3mm, ordered separately)			Order No.
	Zinc plated steel(SGCC)	KEB MOPL 2026 MSZN	2660200157
	SS 14301 SUS304	KEB MOPL 2026 S2	2660200191
	SS 14404 SUS316	KEB MOPL 2026 S4	2660200174

Mounting feet(ordered separately, 4pcs/set)			Order No.
	SS 14301 SUS304	KEB MOFT SMALL S2	2660200171
	Zinc plated steel(SGCC)	KEB MOFT SMALL MSZN	2660200205
	SS 14404 SUS316	KEB MOFT SMALL S4	2660200188

Terminals (with WDU series as reference)2026


Max. number of terminals(industry)	Vertially	Horizontally	
	2.5 mm	2x31	2x43
	4 mm	2x24	1x34
	6 mm	2x17	1x25
	10 mm	1x13	1x20
	16 mm		
	35 mm		

Note :

Terminal blocks shall be assembled via TAS20 or on a mounting plate. Assembly with terminal blocks provides for 10 mm clearance to the ends of the mounting rail. Recommended order:

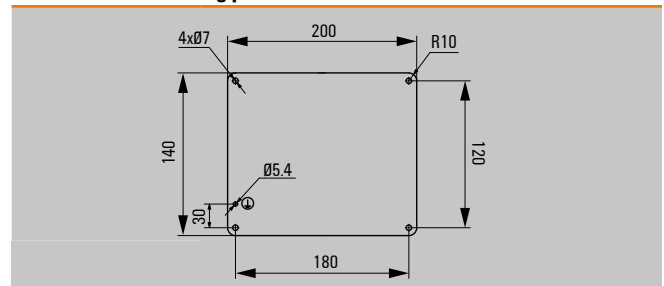
The number of terminals are calculated based on WDU\* dimensions, only for reference.

Number of cable entries (based on OGP version)

	A/B	C/D	
	M20	10	6/8
	M25	8	4/6
	M32	2	1/2
	M40	2	1/2
	M50	1	1

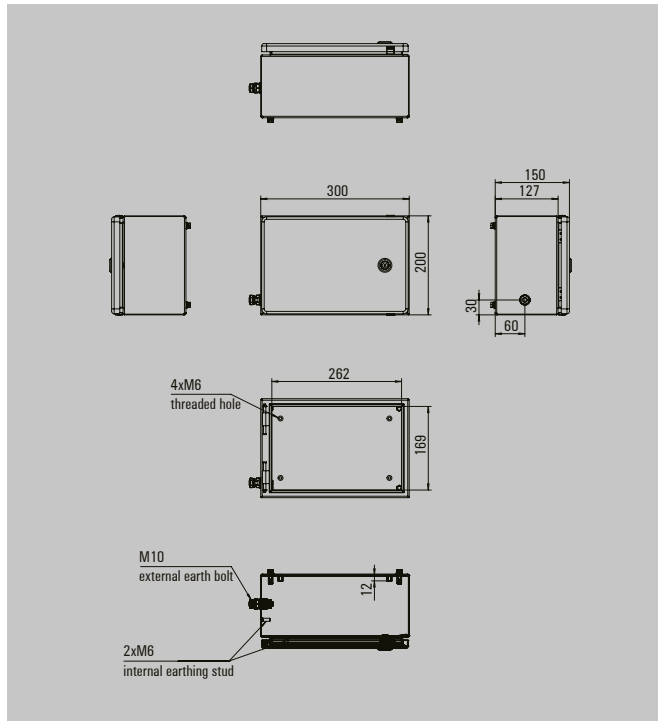
Note : the number of cable entries above, only serve as a reference when size selection.

Dimensions of mounting plate



Klippon® EBx QL 203015

Depth 150 mm



H x W x D(mm) 200 x 300 x 150

Order data

			Order No.
SS 14301 SUS304	OGP	KEBx QL 203015 S2B0	266020002
	1GP		
SS 14404 SUS316L	OGP	KEBx QL 203015 S4B0	2660200041
	1GP		

Accessories

Mounting plate(3mm, ordered separately)			Order No.
	Zinc plated steel(SGCC)	KEB MOPL 2030 MSZN	2660200158
	SS 14301 SUS304	KEB MOPL 2030 S2	2660200192
	SS 14404 SUS316	KEB MOPL 2030 S4	2660200175
Mounting feet(ordered separately, 4pcs/set)			
	SS 14301 SUS304	KEB MOFT SMALL S2	2660200171
	Zinc plated steel(SGCC)	KEB MOFT SMALL MSZN	2660200205
	SS 14404 SUS316	KEB MOFT SMALL S4	2660200188

Terminals (with WDU series as reference)2030

Max. number of terminals(industry)	Vertially	Horizontally
2.5 mm	2x31	2x50
4 mm	2x24	1x40
6 mm	2x17	1x30
10 mm	2x13	1x24
16 mm		
35 mm		

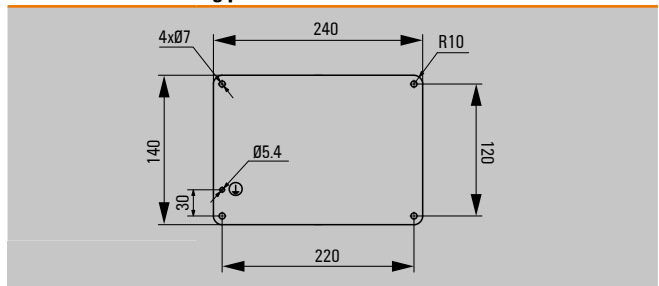
**Note :**  
Terminal blocks shall be assembled via TAS20 or on a mounting plate  
Assembly with terminal blocks provides for 10 mm clearance to the ends of the mounting rail.  
Recommended order:  
  
The number of terminals are calculated based on WDU\* dimensions, only for reference.

Number of cable entries (based on OGP version)

	A/B	C/D
	12	6/8
	10	4/6
	4	1/2
	3	1/2
	2	1

**Note :** the number of cable entries above, only serve as a reference when size selection.

Dimensions of mounting plate



Klippon® EBx QL 203020

Depth **200 mm**





H x W x D(mm) 200 x 300 x 200


**Order data**

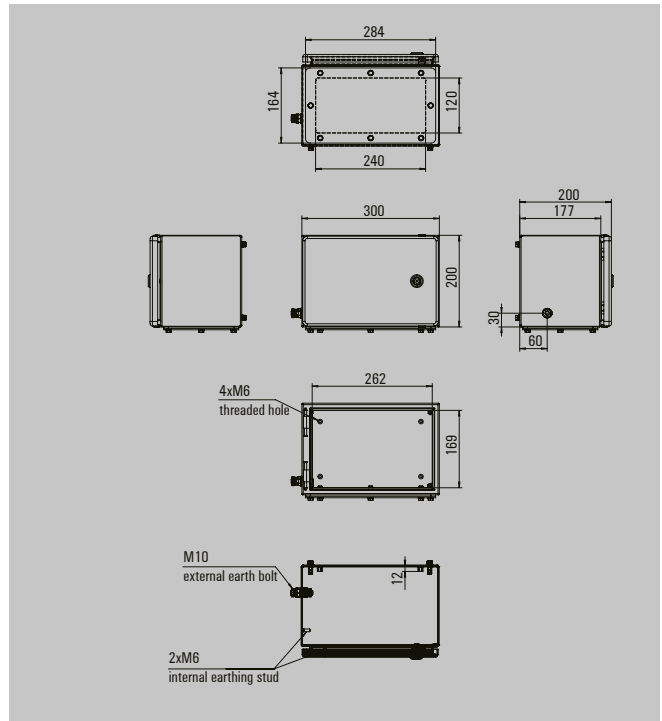
			Order No.
SS 14301 SUS304	OGP	KEBx QL 203020 S2B0	<b>2660200003</b>
	1GP	KEBx QL 203020 S2B1	<b>2660200004</b>
SS 14404 SUS316L	OGP	KEBx QL 203020 S4B0	<b>2660200042</b>
	1GP	KEBx QL 203020 S4B1	<b>2660200043</b>

**Accessories**


<b>Mounting plate(3mm, ordered separately)</b>			Order No.
	Zinc plated steel(SGCC)	KEB MOPL 2030 MSZN	<b>2660200158</b>
	SS 14301 SUS304	KEB MOPL 2030 S2	<b>2660200192</b>
	SS 14404 SUS316	KEB MOPL 2030 S4	<b>2660200175</b>

<b>Mounting feet(ordered separately, 4pcs/set)</b>			Order No.
	SS 14301 SUS304	KEB MOFT SMALL S2	<b>2660200171</b>
	Zinc plated steel(SGCC)	KEB MOFT SMALL MSZN	<b>2660200205</b>
	SS 14404 SUS316	KEB MOFT SMALL S4	<b>2660200188</b>

<b>Gland platesGP</b>			Order No.
		KEBx GP 203020 S2 I3	<b>2660200217</b>
		KEBx GP 203020 S4 I3	<b>2660200231</b>



**Terminals (with WDU series as reference)2026**


Max. number of terminals(industry)	Vertially	Horizontally	
	2.5 mm	2x31	2x50
	4 mm	2x24	1x40
	6 mm	2x17	1x30
	10 mm	2x13	1x24
	16 mm		
	35 mm		

**Note :**

Terminal blocks shall be assembled via TAS20 or on a mounting plate. Assembly with terminal blocks provides for 10 mm clearance to the ends of the mounting rail. Recommended order:

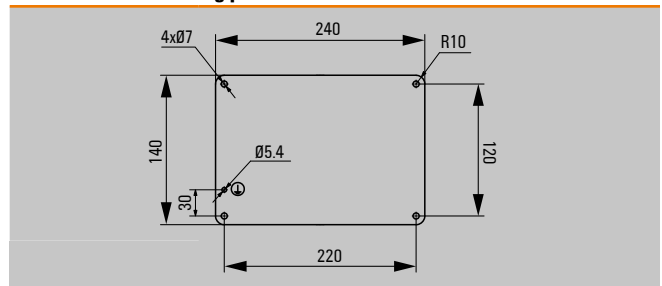
The number of terminals are calculated based on WDU\* dimensions, only for reference.

**Number of cable entries (based on OGP version)**

	A/B	C/D	
	M20	18	10/12
	M25	15	7/9
	M32	8	1/4
	M40	6	1/4
	M50	2	1

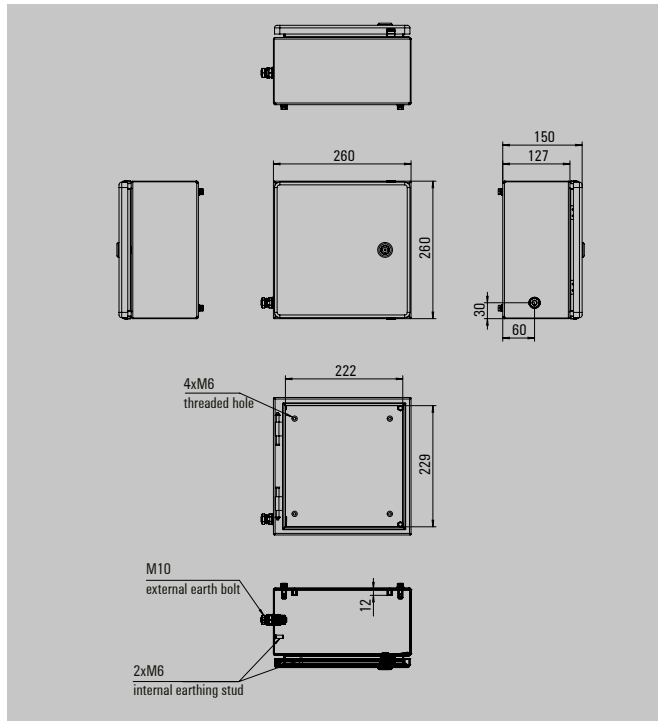
**Note :** the number of cable entries above, only serve as a reference when size selection.

**Dimensions of mounting plate**



Klippon® EBx QL 262615

Depth 150 mm



H x W x D(mm) 260 x 260 x 150

Order data

			Order No.
SS 14301 SUS304	OGP	KEBx QL 262615 S2B0	2660200005
	1GP		
SS 14404 SUS316L	OGP	KEBx QL 262615 S4B0	2660200044
	1GP		

Accessories

Mounting plate(3mm, ordered separately)			Order No.
	Zinc plated steel(SGCC)	KEB MOPL 2626 MSZN	2660200159
	SS 14301 SUS304	KEB MOPL 2626 S2	2660200193
	SS 14404 SUS316	KEB MOPL 2626 S4	2660200176
Mounting feet(ordered separately, 4pcs/set)			
	SS 14301 SUS304	KEB MOFT SMALL S2	2660200171
	Zinc plated steel(SGCC)	KEB MOFT SMALL MSZN	2660200205
	SS 14404 SUS316	KEB MOFT SMALL S4	2660200188

Terminals (with WDU series as reference)2626

Max. number of terminals(industry)	Vertially	Horizontally
2.5 mm	2x43	2x43
4 mm	2x34	2x34
6 mm	2x25	2x25
10 mm	2x20	2x20
16 mm	2x6	2x6
35 mm		



Note :

Terminal blocks shall be assembled via TAS20 or on a mounting plate  
 Assembly with terminal blocks provides for 10 mm clearance to the ends of the mounting rail.  
 Recommended order:

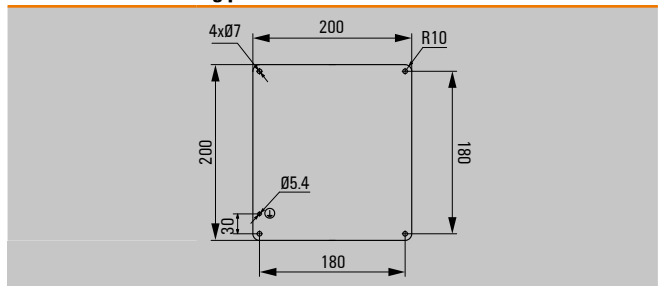
The number of terminals are calculated based on WDU\* dimensions, only for reference.

Number of cable entries (based on OGP version)

	A/B	C/D
	M20	10
	M25	8
	M32	3
	M40	3
	M50	2

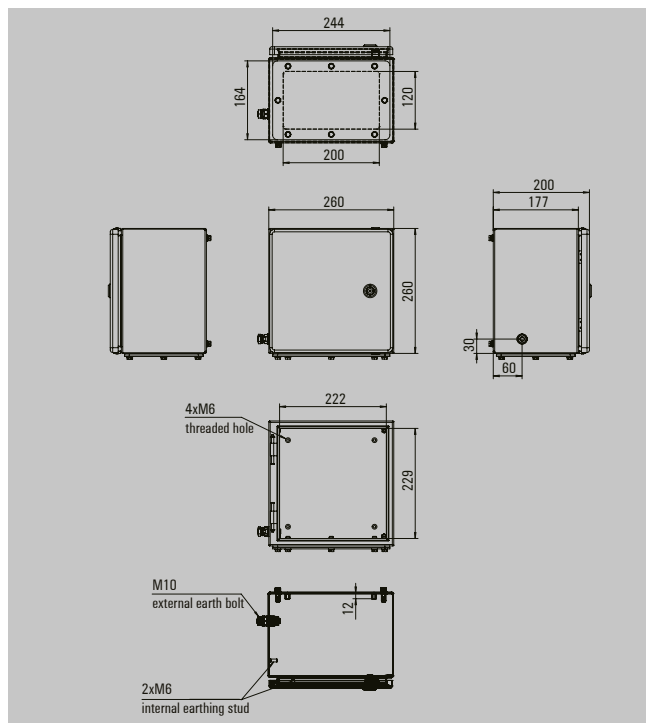
Note : the number of cable entries above, only serve as a reference when size selection.

Dimensions of mounting plate



Klippon® EBx QL 262620

Depth 200 mm



H x W x D(mm) 260 x 260 x 200

Order data

			Order No.
SS 14301 SUS304	OGP	KEBx QL 262620 S2B0	2660200006
	1GP	KEBx QL 262620 S2B1	2660200007
SS 14404 SUS316L	OGP	KEBx QL 262620 S4B0	2660200045
	1GP	KEBx QL 262620 S4B1	2660200046

Accessories

Mounting plate(t3mm, ordered separately)			Order No.
	Zinc plated steel(SGCC)	KEB MOPL 2626 MSZN	2660200159
	SS 14301 SUS304	KEB MOPL 2626 S2	2660200193
	SS 14404 SUS316	KEB MOPL 2626 S4	2660200176
Mounting feet(ordered separately, 4pcs/set)			
	SS 14301 SUS304	KEB MOFT SMALL S2	2660200171
	Zinc plated steel(SGCC)	KEB MOFT SMALL MSZN	2660200205
	SS 14404 SUS316	KEB MOFT SMALL S4	2660200188
Gland plates			
		KEBx GP 262620 S2 t3	2660200218
		KEBx GP 262620 S4 t3	2660200232

Terminals (with WDU series as reference)2626

Max. number of terminals(industry)	Vertially	Horizontally	
	2.5 mm	2x43	2x43
	4 mm	2x34	2x34
	6 mm	2x25	2x25
	10 mm	2x20	2x20
	16 mm	2x6	2x6
	35 mm		

Note :

Terminal blocks shall be assembled via TAS20 or on a mounting plate. Assembly with terminal blocks provides for 10 mm clearance to the ends of the mounting rail. Recommended order:

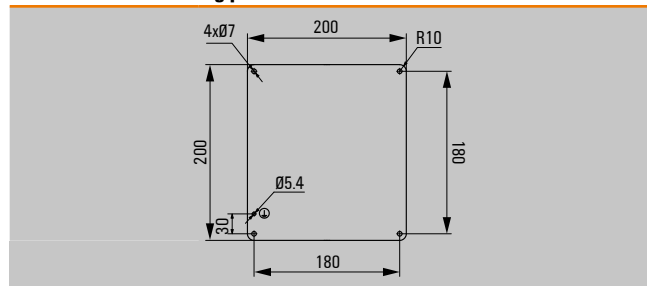
The number of terminals are calculated based on WDU\* dimensions, only for reference.

Number of cable entries (based on OGP version)

	A/B	C/D	
	M20	15	13/15
	M25	12	10/12
	M32	6	5/6
	M40	6	5/6
	M50	2	1/2

Note : the number of cable entries above, only serve as a reference when size selection.

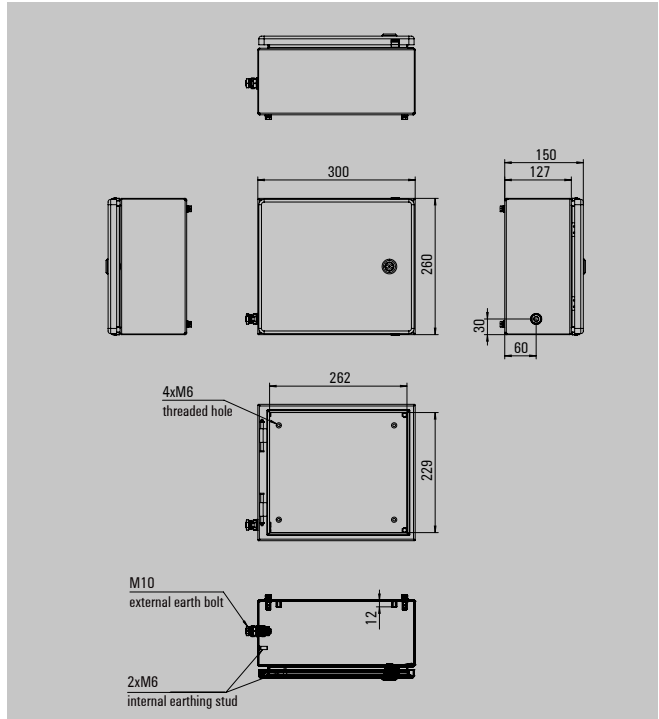
Dimensions of mounting plate





Klippon® EBx QL 263015

Depth 150 mm



H x W x D(mm) 260 x 300 x 150

Order data

			Order No.
SS 14301 SUS304	OGP	KEBx QL 263015 S2B0	266020008
	1GP		
SS 14404 SUS316L	OGP	KEBx QL 263015 S4B0	266020047
	1GP		

Accessories

Mounting plate(3mm, ordered separately)			Order No.
	Zinc plated steel(SGCC)	KEB MOPL 2630 MSZN	2660200160
	SS 14301 SUS304	KEB MOPL 2630 S2	2660200194
	SS 14404 SUS316	KEB MOPL 2630 S4	2660200177

Mounting feet(ordered separately, 4pcs/set)			Order No.
	SS 14301 SUS304	KEB MOFT SMALL S2	2660200171
	Zinc plated steel(SGCC)	KEB MOFT SMALL MSZN	2660200205
	SS 14404 SUS316	KEB MOFT SMALL S4	2660200188

Terminals (with WDU series as reference)2626

Max. number of terminals(industry)	Vertially	Horizontally
2.5 mm	2x43	2x50
4 mm	2x34	2x40
6 mm	2x25	1x30
10 mm	2x20	1x24
16 mm	1x6	1x10
35 mm		



Note :

Terminal blocks shall be assembled via TAS20 or on a mounting plate  
 Assembly with terminal blocks provides for 10 mm clearance to the ends of the mounting rail.  
 Recommended order:

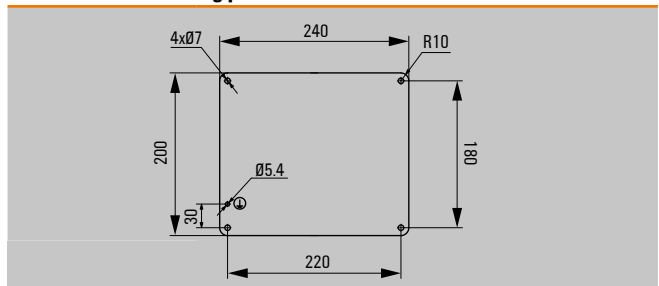
The number of terminals are calculated based on WDU\* dimensions, only for reference.

Number of cable entries (based on OGP version)

	A/B	C/D	
	M20	12	8/10
	M25	10	6/8
	M32	4	1/3
	M40	3	1/3
	M50	2	1/2

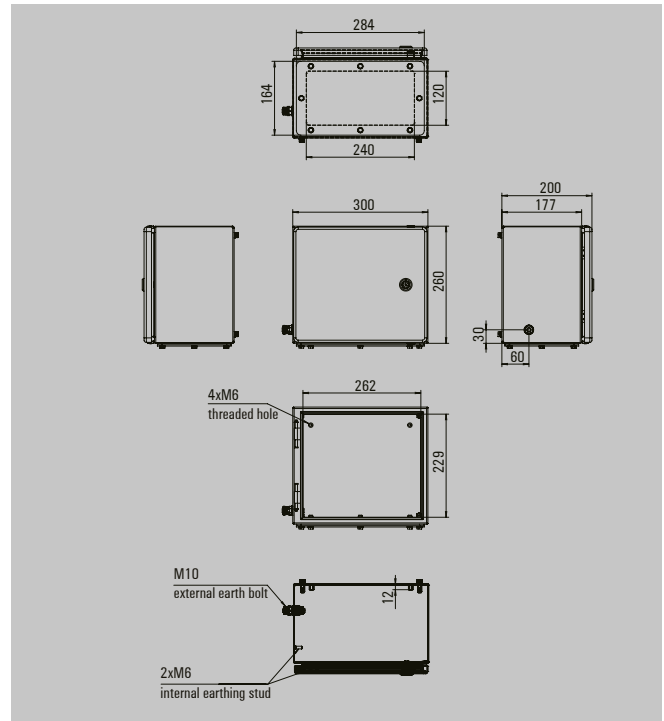
Note : the number of cable entries above, only serve as a reference when size selection.

Dimensions of mounting plate



Klippon® EBx QL 263020

Depth **200 mm**





H x W x D(mm) 260 x 300 x 200


**Order data**

			Order No.
SS 14301 SUS304	OGP	KEBx QL 263020 S2B0	<b>2660200009</b>
	1GP	KEBx QL 263020 S2B1	<b>2660200010</b>
SS 14404 SUS316L	OGP	KEBx QL 263020 S4B0	<b>2660200048</b>
	1GP	KEBx QL 263020 S4B1	<b>2660200049</b>


**Accessories**

<b>Mounting plate(3mm, ordered separately)</b>			Order No.
	Zinc plated steel(SGCC)	KEB MOPL 2630 MSZN	<b>2660200160</b>
	SS 14301 SUS304	KEB MOPL 2630 S2	<b>2660200194</b>
	SS 14404 SUS316	KEB MOPL 2630 S4	<b>2660200177</b>

<b>Mounting feet(ordered separately, 4pcs/set)</b>			Order No.
	SS 14301 SUS304	KEB MOFT SMALL S2	<b>2660200171</b>
	Zinc plated steel(SGCC)	KEB MOFT SMALL MSZN	<b>2660200205</b>
	SS 14404 SUS316	KEB MOFT SMALL S4	<b>2660200188</b>

<b>Gland plates</b>			Order No.
		KEBx GP 263020 S2 t3	<b>2660200219</b>
		KEBx GP 263020 S4 t3	<b>2660200233</b>

**Terminals (with WDU series as reference)2630**


Max. number of terminals(industry)	Vertially	Horizontally	
	2.5 mm	2x43	2x50
	4 mm	2x34	2x40
	6 mm	2x25	1x30
	10 mm	2x20	1x24
	16 mm	1x6	1x10
	35 mm		

**Note :**

Terminal blocks shall be assembled via TAS20 or on a mounting plate. Assembly with terminal blocks provides for 10 mm clearance to the ends of the mounting rail. Recommended order:

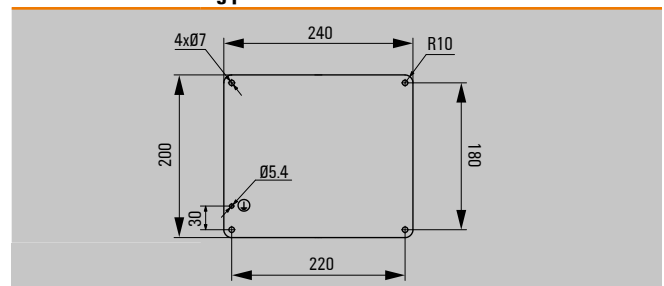
The number of terminals are calculated based on WDU\* dimensions, only for reference.

**Number of cable entries (based on OGP version)**

	A/B	C/D	
	M20	18	13/15
	M25	15	10/12
	M32	8	5/6
	M40	6	5/6
	M50	2	1/2

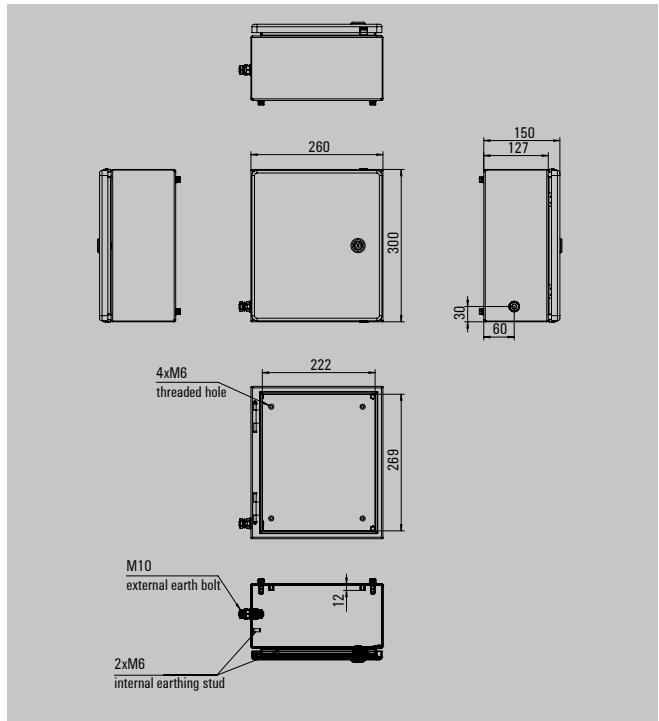
**Note :** the number of cable entries above, only serve as a reference when size selection.

**Dimensions of mounting plate**



Klippon® EBx QL 302615

Depth 150 mm



H x W x D(mm) 300 x 260 x 150

Order data

			Order No.
SS 14301 SUS304	OGP	KEBx QL 302615 S2B0	266020011
	1GP		
SS 14404 SUS316L	OGP	KEBx QL 302615 S4B0	266020050
	1GP		

Accessories

Mounting plate(3mm, ordered separately)			Order No.
	Zinc plated steel(SGCC)	KEB MOPL 3026 MSZN	2660200161
	SS 14301 SUS304	KEB MOPL 3026 S2	2660200195
	SS 14404 SUS316	KEB MOPL 3026 S4	2660200178

Mounting feet(ordered separately, 4pcs/set)			Order No.
	SS 14301 SUS304	KEB MOFT SMALL S2	2660200171
	Zinc plated steel(SGCC)	KEB MOFT SMALL MSZN	2660200205
	SS 14404 SUS316	KEB MOFT SMALL S4	2660200188

Terminals (with WDU series as reference)3026

Max. number of terminals(industry)	Vertially	Horizontally
2.5 mm	2x50	2x43
4 mm	2x40	2x34
6 mm	1x30	2x25
10 mm	1x24	2x20
16 mm	1x10	1x6
35 mm		

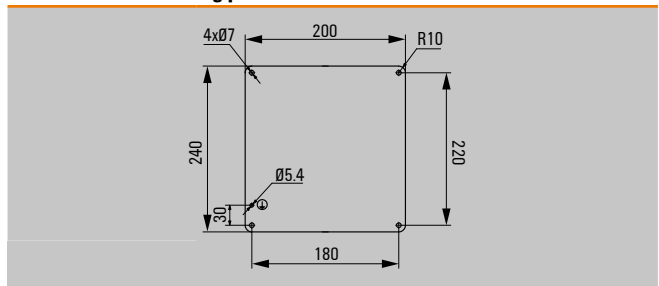
**Note :**  
Terminal blocks shall be assembled via TAS20 or on a mounting plate  
Assembly with terminal blocks provides for 10 mm clearance to the ends of the mounting rail.  
Recommended order:  
  
The number of terminals are calculated based on WDU\* dimensions, only for reference.

Number of cable entries (based on OGP version)

	A/B	C/D
M20	10	10/12
M25	8	8/10
M32	3	3/4
M40	3	2/3
M50	2	1/2

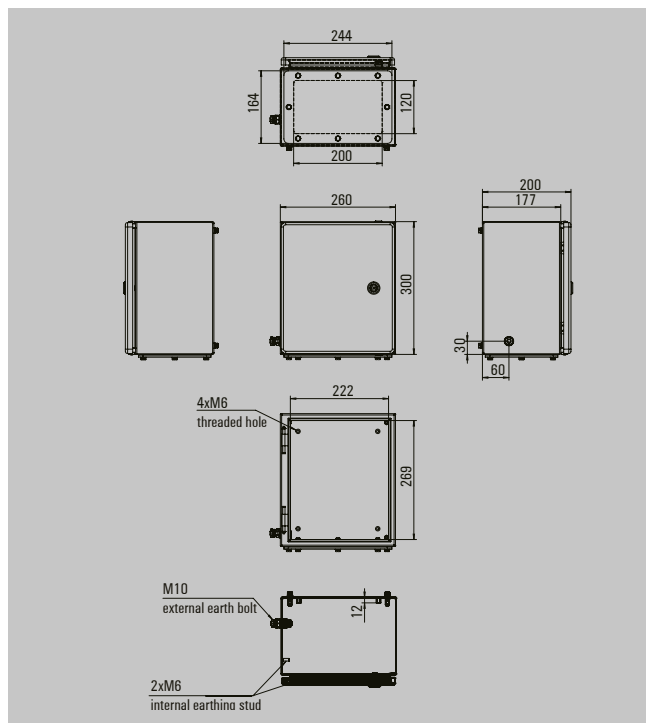
**Note :** the number of cable entries above, only serve as a reference when size selection.

Dimensions of mounting plate



Klippon® EBx QL 302620

Depth **200 mm**





H x W x D(mm) 300 x 260 x 200


**Order data**

			Order No.
SS 14301 SUS304	OGP	KEBx QL 302620 S2B0	<b>2660200012</b>
	1GP	KEBx QL 302620 S2B1	<b>2660200013</b>
SS 14404 SUS316L	OGP	KEBx QL 302620 S4B0	<b>2660200051</b>
	1GP	KEBx QL 302620 S4B1	<b>2660200052</b>


**Accessories**

<b>Mounting plate(3mm, ordered separately)</b>			Order No.
	Zinc plated steel(SGCC)	KEB MOPL 3026 MSZN	<b>2660200161</b>
	SS 14301 SUS304	KEB MOPL 3026 S2	<b>2660200195</b>
	SS 14404 SUS316	KEB MOPL 3026 S4	<b>2660200178</b>

<b>Mounting feet(ordered separately, 4pcs/set)</b>			Order No.
	SS 14301 SUS304	KEB MOFT SMALL S2	<b>2660200171</b>
	Zinc plated steel(SGCC)	KEB MOFT SMALL MSZN	<b>2660200205</b>
	SS 14404 SUS316	KEB MOFT SMALL S4	<b>2660200188</b>

<b>Gland plates</b>			Order No.
		KEBx GP 302620 S2 t3	<b>2660200220</b>
		KEBx GP 302620 S4 t3	<b>2660200234</b>

**Terminals (with WDU series as reference)2630**


Max. number of terminals(industry)	Vertially	Horizontally	
	2.5 mm	2x50	2x43
	4 mm	2x40	2x34
	6 mm	1x30	2x25
	10 mm	1x24	2x20
	16 mm	1x10	1x6
	35 mm		

**Note :**

Terminal blocks shall be assembled via TAS20 or on a mounting plate. Assembly with terminal blocks provides for 10 mm clearance to the ends of the mounting rail. Recommended order:

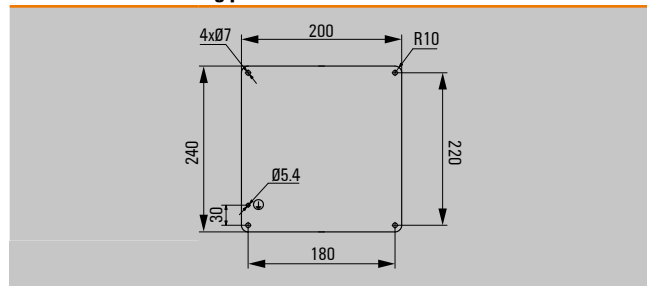
The number of terminals are calculated based on WDU\* dimensions, only for reference.

**Number of cable entries (based on OGP version)**

	A/B	C/D	
	M20	15	16/18
	M25	12	12/15
	M32	6	7/8
	M40	6	5/6
	M50	2	1/2

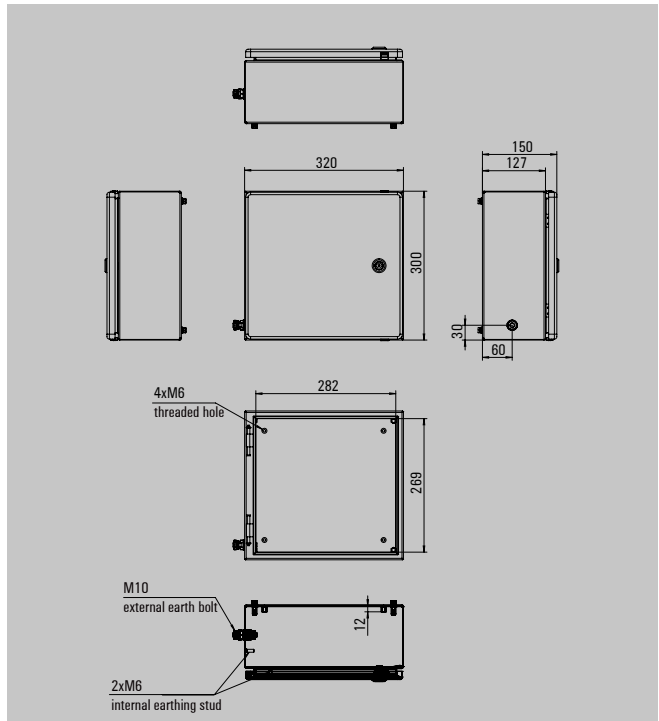
**Note :** the number of cable entries above, only serve as a reference when size selection.

**Dimensions of mounting plate**



Klippon® EBx QL 303215

Depth 150 mm



H x W x D(mm) 300 x 320 x 150

Order data

			Order No.
SS 14301 SUS304	OGP	KEBx QL 303215 S2B0	266020014
	1GP		
SS 14404 SUS316L	OGP	KEBx QL 303215 S4B0	266020053
	1GP		

Accessories

Mounting plate(3mm, ordered separately)			Order No.
	Zinc plated steel(SGCC)	KEB MOPL 3032 MSZN	2660200162
	SS 14301 SUS304	KEB MOPL 3032 S2	2660200196
	SS 14404 SUS316	KEB MOPL 3032 S4	2660200179

Mounting feet(ordered separately, 4pcs/set)			Order No.
	SS 14301 SUS304	KEB MOFT SMALL S2	2660200171
	Zinc plated steel(SGCC)	KEB MOFT SMALL MSZN	2660200205
	SS 14404 SUS316	KEB MOFT SMALL S4	2660200188

Terminals (with WDU series as reference)3032

Max. number of terminals(industry)	Vertially	Horizontally
2.5 mm	2x50	2x54
4 mm	2x40	2x44
6 mm	2x30	2x32
10 mm	2x24	2x24
16 mm	1x10	1x11
35 mm	1x3	1x5



Note :

Terminal blocks shall be assembled via TAS20 or on a mounting plate  
 Assembly with terminal blocks provides for 10 mm clearance to the ends of the mounting rail.  
 Recommended order:

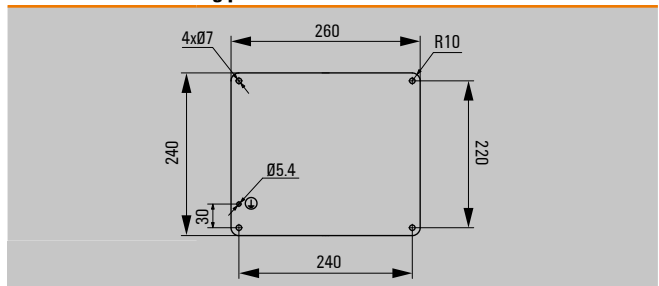
The number of terminals are calculated based on WDU\* dimensions, only for reference.

Number of cable entries (based on OGP version)

	A/B	C/D
	M20	12
	M25	10
	M32	4
	M40	3
	M50	3

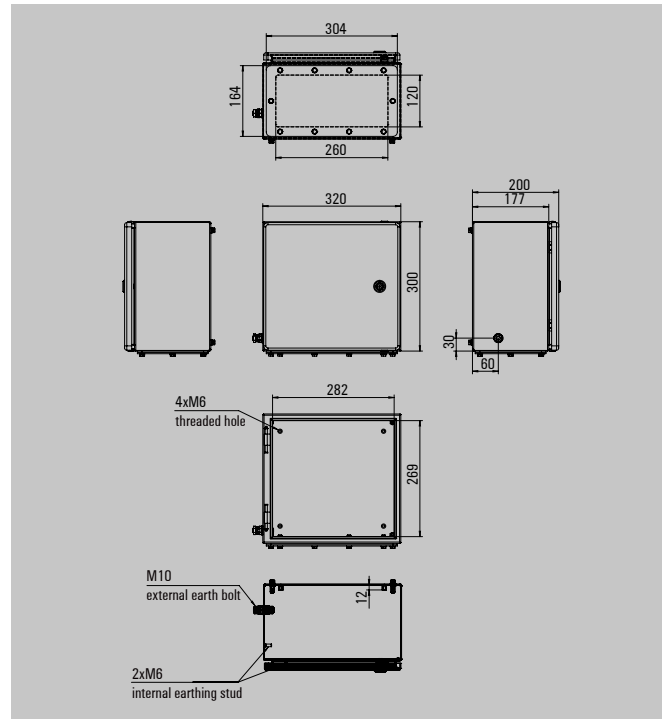
Note : the number of cable entries above, only serve as a reference when size selection.

Dimensions of mounting plate



Klippon® EBx QL 303220

Depth **200 mm**



H x W x D(mm) 300 x 320 x 200

**Order data**

			Order No.
SS 14301 SUS304	OGP	KEBx QL 303220 S2B0	<b>2660200015</b>
	1GP	KEBx QL 303220 S2B1	<b>2660200016</b>
SS 14404 SUS316L	OGP	KEBx QL 303220 S4B0	<b>2660200054</b>
	1GP	KEBx QL 303220 S4B1	<b>2660200055</b>

**Accessories**

<b>Mounting plate(3mm, ordered separately)</b>			Order No.
	Zinc plated steel(SGCC)	KEB MOPL 3032 MSZN	<b>2660200162</b>
	SS 14301 SUS304	KEB MOPL 3032 S2	<b>2660200196</b>
	SS 14404 SUS316	KEB MOPL 3032 S4	<b>2660200179</b>

<b>Mounting feet(ordered separately, 4pcs/set)</b>			Order No.
	SS 14301 SUS304	KEB MOFT SMALL S2	<b>2660200171</b>
	Zinc plated steel(SGCC)	KEB MOFT SMALL MSZN	<b>2660200205</b>
	SS 14404 SUS316	KEB MOFT SMALL S4	<b>2660200188</b>

<b>Gland plates</b>			Order No.
		KEBx GP 303220 S2 t3	<b>2660200221</b>
		KEBx GP 303220 S4 t3	<b>2660200235</b>

**Terminals (with WDU series as reference)3032**

Max. number of terminals(industry)	Vertially	Horizontally	
	2.5 mm	2x50	2x54
	4 mm	2x40	2x44
	6 mm	2x30	2x32
	10 mm	2x24	2x24
	16 mm	1x10	1x11
	35 mm	1x3	1x5

**Note :**

Terminal blocks shall be assembled via TAS20 or on a mounting plate. Assembly with terminal blocks provides for 10 mm clearance to the ends of the mounting rail. Recommended order:

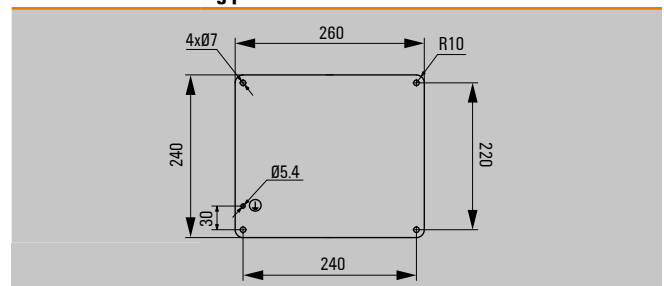
The number of terminals are calculated based on WDU\* dimensions, only for reference.

**Number of cable entries (based on OGP version)**

	A/B	C/D	
	M20	18	16/18
	M25	15	13/15
	M32	8	7/8
	M40	6	5/6
	M50	3	1/2

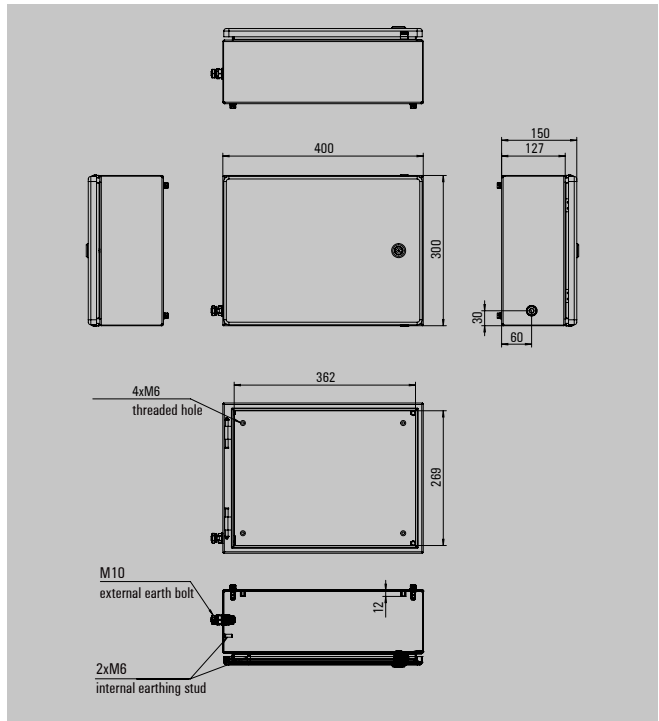
**Note :** the number of cable entries above, only serve as a reference when size selection.

**Dimensions of mounting plate**



Klippon® EBx QL 304015

Depth 150 mm



H x W x D(mm) 300 x 400 x 150

Order data

			Order No.
SS 14301 SUS304	OGP	KEBx QL 304015 S2B0	266020017
	1GP		
SS 14404 SUS316L	OGP	KEBx QL 304015 S4B0	266020056
	1GP		

Accessories

Mounting plate(3mm, ordered separately)			Order No.
	Zinc plated steel(SGCC)	KEB MOPL 3040 MSZN	2660200163
	SS 14301 SUS304	KEB MOPL 3040 S2	2660200197
	SS 14404 SUS316	KEB MOPL 3040 S4	2660200180

Mounting feet(ordered separately, 4pcs/set)			Order No.
	SS 14301 SUS304	KEB MOFT SMALL S2	2660200171
	Zinc plated steel(SGCC)	KEB MOFT SMALL MSZN	2660200205
	SS 14404 SUS316	KEB MOFT SMALL S4	2660200188

Terminals (with WDU series as reference)3040

Max. number of terminals(industry)	Vertially	Horizontally
2.5 mm	4x50	2x70
4 mm	3x40	2x57
6 mm	3x30	2x43
10 mm	2x24	2x135
16 mm	1x10	1x18
35 mm	1x3	1x10

Note :

Terminal blocks shall be assembled via TAS20 or on a mounting plate  
 Assembly with terminal blocks provides for 10 mm clearance to the ends of the mounting rail.  
 Recommended order:

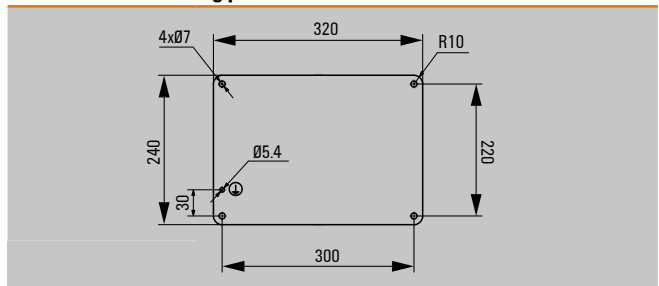
The number of terminals are calculated based on WDU\* dimensions, only for reference.

Number of cable entries (based on OGP version)

	A/B	C/D
	16	10/12
	12	8/10
	5	3/4
	4	2/3
	4	1/2

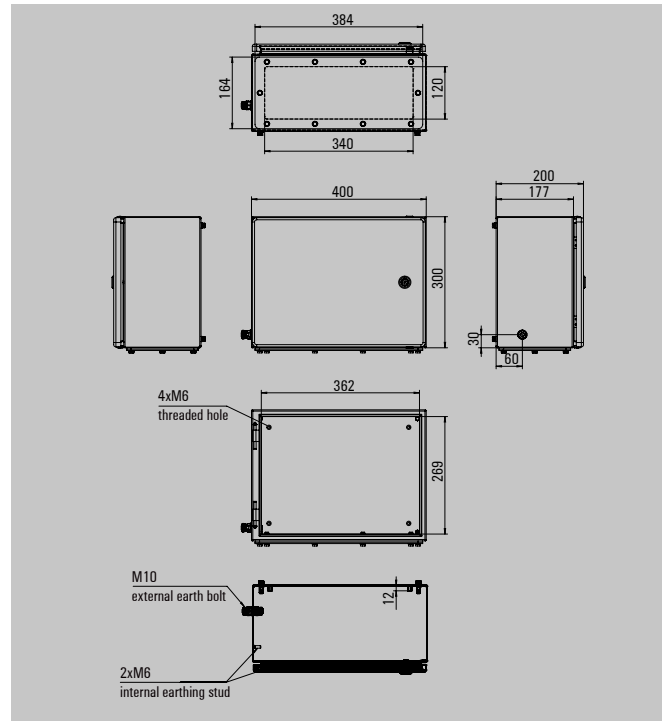
Note : the number of cable entries above, only serve as a reference when size selection.

Dimensions of mounting plate



Klippon® EBx QL 304020

Depth 200 mm



H x W x D(mm) 300 x 400 x 200

Order data

			Order No.
SS 14301 SUS304	OGP	KEBx QL 304020 S2B0	2660200018
	1GP	KEBx QL 304020 S2B1	2660200019
SS 14404 SUS316L	OGP	KEBx QL 304020 S4B0	2660200057
	1GP	KEBx QL 304020 S4B1	2660200058

Accessories

Mounting plate(3mm, ordered separately)			Order No.
	Zinc plated steel(SGCC)	KEB MOPL 3040 MSZN	2660200163
	SS 14301 SUS304	KEB MOPL 3040 S2	2660200197
	SS 14404 SUS316	KEB MOPL 3040 S4	2660200180

Mounting feet(ordered separately, 4pcs/set)			
	SS 14301 SUS304	KEB MOFT SMALL S2	2660200171
	Zinc plated steel(SGCC)	KEB MOFT SMALL MSZN	2660200205
	SS 14404 SUS316	KEB MOFT SMALL S4	2660200188

Gland plates			
		KEBx GP 304020 S2 t3	2660200222
		KEBx GP 304020 S4 t3	2660200236

Terminals (with WDU series as reference)3040

Max. number of terminals(industry)	Vertially	Horizontally	
	2.5 mm	4x50	2x70
	4 mm	3x40	2x57
	6 mm	3x30	2x43
	10 mm	2x24	2x135
	16 mm	1x10	1x18
	35 mm	1x3	1x10

Note :

Terminal blocks shall be assembled via TAS20 or on a mounting plate. Assembly with terminal blocks provides for 10 mm clearance to the ends of the mounting rail. Recommended order:

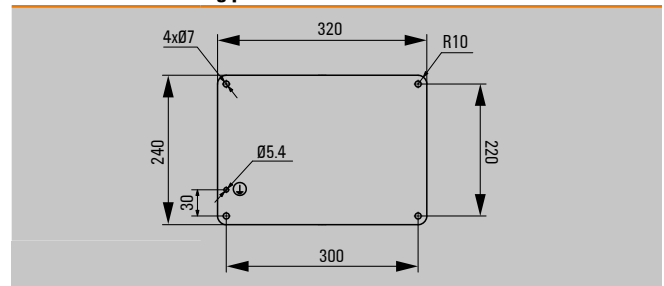
The number of terminals are calculated based on WDU\* dimensions, only for reference.

Number of cable entries (based on OGP version)

	A/B	C/D	
	M20	24	15/18
	M25	18	12/15
	M32	10	7/8
	M40	8	5/6
	M50	4	1/2

Note : the number of cable entries above, only serve as a reference when size selection.

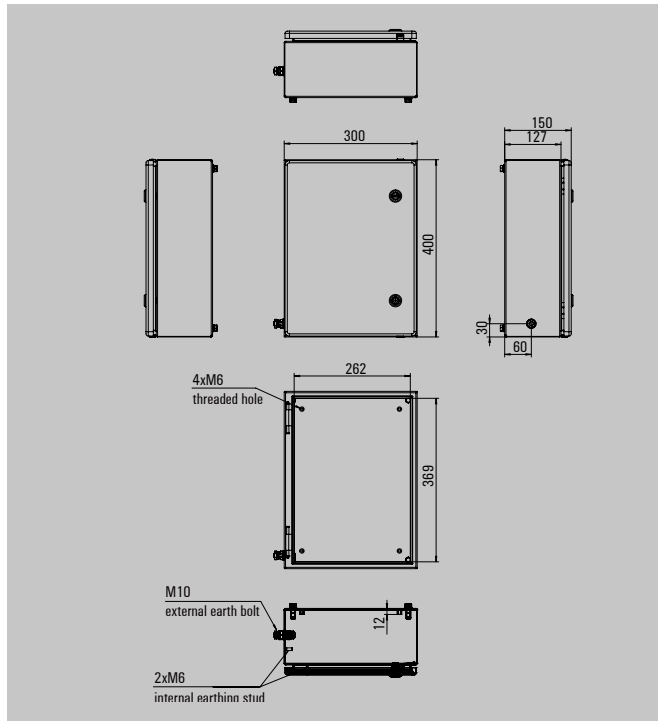
Dimensions of mounting plate





Klippon® EBx QL 403015

Depth 150 mm



H x W x D(mm) 400 x 300 x 150

Order data

			Order No.
SS 14301 SUS304	OGP	KEBx QL 403015 S2B0	2660200020
	1GP		
SS 14404 SUS316L	OGP	KEBx QL 403015 S4B0	2660200059
	1GP		

Accessories

Mounting plate(3mm, ordered separately)			Order No.
	Zinc plated steel(SGCC)	KEB MOPL 4030 MSZN	2660200164
	SS 14301 SUS304	KEB MOPL 4030 S2	2660200198
	SS 14404 SUS316	KEB MOPL 4030 S4	2660200181

Mounting feet(ordered separately, 4pcs/set)			Order No.
	SS 14301 SUS304	KEB MOFT LARGE S2	2660200172
	Zinc plated steel(SGCC)	KEB MOFT LARGE MSZN	2660200206
	SS 14404 SUS316	KEB MOFT LARGE S4	2660200189

Terminals (with WDU series as reference)4030

Max. number of terminals(industry)	Vertially	Horizontally
2.5 mm	2x70	4x50
4 mm	2x57	3x40
6 mm	2x43	3x30
10 mm	2x135	2x24
16 mm	1x18	1x10
35 mm	1x10	1x3



Note :

Terminal blocks shall be assembled via TAS20 or on a mounting plate  
 Assembly with terminal blocks provides for 10 mm clearance to the ends of the mounting rail.  
 Recommended order:

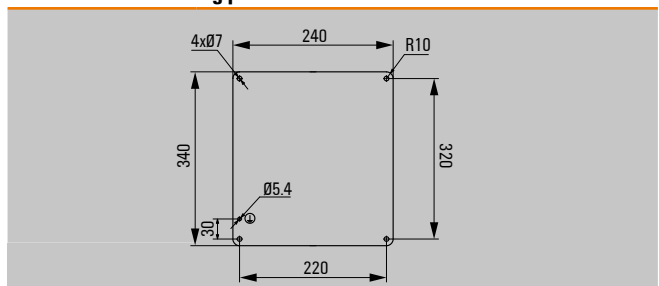
The number of terminals are calculated based on WDU\* dimensions, only for reference.

Number of cable entries (based on OGP version)

	A/B	C/D	
	M20	12	14/16
	M25	10	10/12
	M32	4	4/5
	M40	3	3/4
	M50	2	3/4

Note : the number of cable entries above, only serve as a reference when size selection.

Dimensions of mounting plate



Klippon® EBx QL 403020

Depth 200 mm





H x W x D(mm) 400 x 300 x 200


Order data

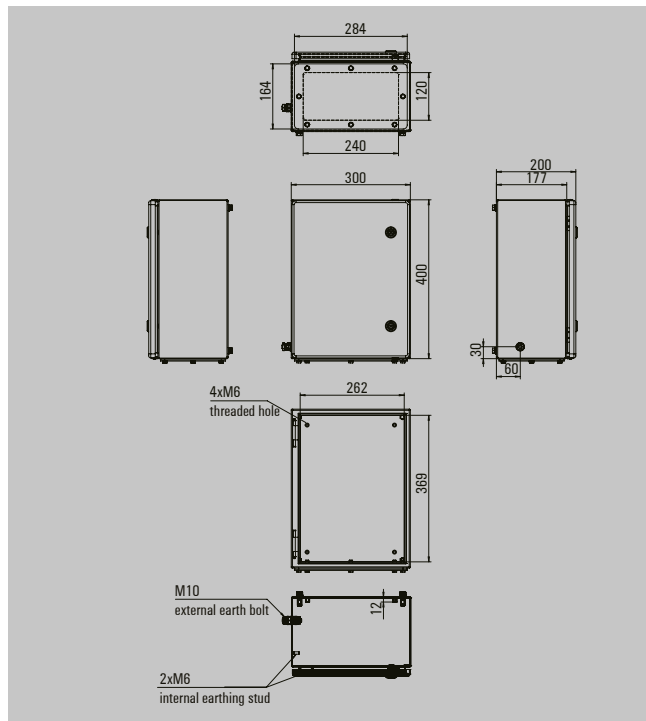
			Order No.
SS 14301 SUS304	OGP	KEBx QL 403020 S2B0	2660200021
	1GP	KEBx QL 403020 S2B1	2660200022
SS 14404 SUS316L	OGP	KEBx QL 403020 S4B0	2660200060
	1GP	KEBx QL 403020 S4B1	2660200061

Accessories


Mounting plate(3mm, ordered separately)			Order No.
	Zinc plated steel(SGCC)	KEB MOPL 4030 MSZN	2660200164
	SS 14301 SUS304	KEB MOPL 4030 S2	2660200198
	SS 14404 SUS316	KEB MOPL 4030 S4	2660200181

Mounting feet(ordered separately, 4pcs/set)			Order No.
	SS 14301 SUS304	KEB MOFT LARGE S2	2660200172
	Zinc plated steel(SGCC)	KEB MOFT LARGE MSZN	2660200206
	SS 14404 SUS316	KEB MOFT LARGE S4	2660200189

Gland plates			Order No.
		KEBx GP 403020 S2 t3	2660200223
		KEBx GP 403020 S4 t3	2660200237



Terminals (with WDU series as reference)4030


Max. number of terminals(industry)	Vertially	Horizontally	
	2.5 mm	2x70	4x50
	4 mm	2x57	3x40
	6 mm	2x43	3x30
	10 mm	2x135	2x24
	16 mm	1x18	1x10
	35 mm	1x10	1x3

Note :

Terminal blocks shall be assembled via TAS20 or on a mounting plate. Assembly with terminal blocks provides for 10 mm clearance to the ends of the mounting rail. Recommended order:

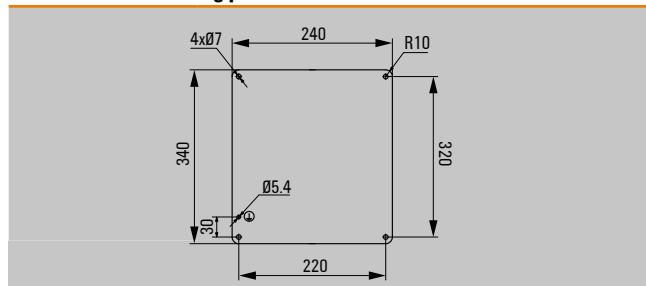
The number of terminals are calculated based on WDU\* dimensions, only for reference.

Number of cable entries (based on OGP version)

	A/B	C/D	
	M20	18	22/24
	M25	15	15/18
	M32	8	9/10
	M40	6	7/8
	M50	2	3/4

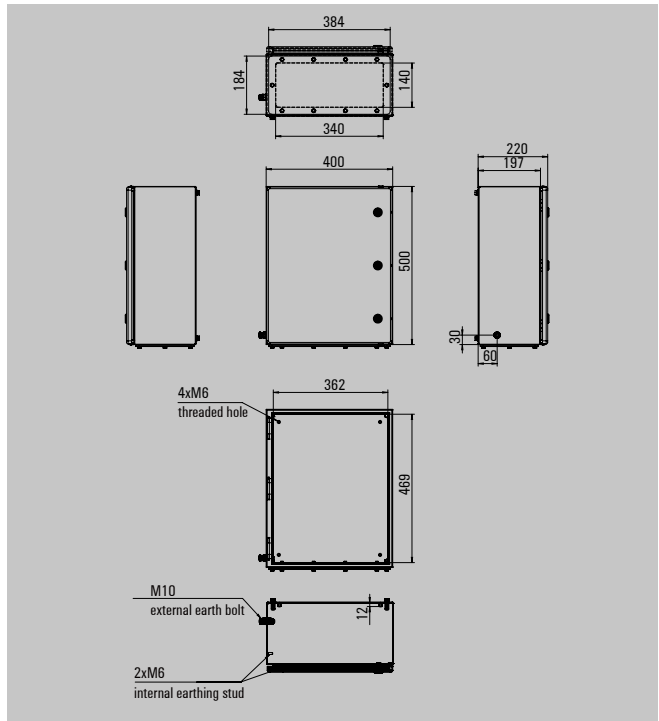
Note : the number of cable entries above, only serve as a reference when size selection.

Dimensions of mounting plate



Klippon® EBx QL 504022

Depth 220 mm



H x W x D(mm) 500 x 400 x 220

Order data

			Order No.
SS 14301 SUS304	OGP	KEBx QL 504022 S2B0	2660200023
	1GP	KEBx QL 504022 S2B1	2660200024
SS 14404 SUS316L	OGP	KEBx QL 504022 S4B0	2660200062
	1GP	KEBx QL 504022 S4B1	2660200063

Accessories

Mounting plate(3mm, ordered separately)			Order No.
	Zinc plated steel(SGCC)	KEB MOPL 5040 MSZN	2660200165
	SS 14301 SUS304	KEB MOPL 5040 S2	2660200199
	SS 14404 SUS316	KEB MOPL 5040 S4	2660200182
Mounting feet(ordered separately, 4pcs/set)			
	SS 14301 SUS304	KEB MOFT LARGE S2	2660200172
	Zinc plated steel(SGCC)	KEB MOFT LARGE MSZN	2660200206
	SS 14404 SUS316	KEB MOFT LARGE S4	2660200189
Gland plates			
		KEBx GP 504022 S2 t3	2660200226
		KEBx GP 504022 S4 t3	2660200240

Terminals (with WDU series as reference)5040

Max. number of terminals(industry)	Vertially	Horizontally
2.5 mm	4x90	5x70
4 mm	3x73	4x57
6 mm	3x55	4x43
10 mm	2x46	3x35
16 mm	1x26	2x18
35 mm	1x16	1x10

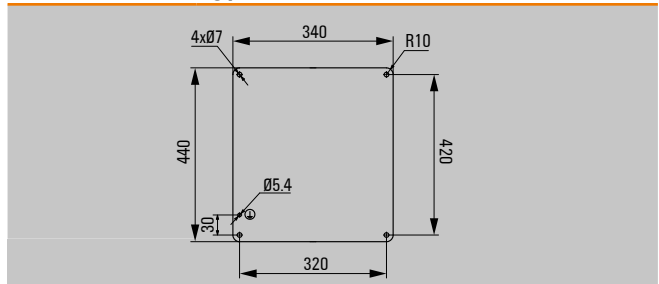
**Note :**  
Terminal blocks shall be assembled via TAS20 or on a mounting plate  
Assembly with terminal blocks provides for 10 mm clearance to the ends of the mounting rail.  
Recommended order:  
  
The number of terminals are calculated based on WDU\* dimensions, only for reference.

Number of cable entries (based on OGP version)

	A/B	C/D
	M20	32
	M25	18
	M32	15
	M40	8
	M50	8

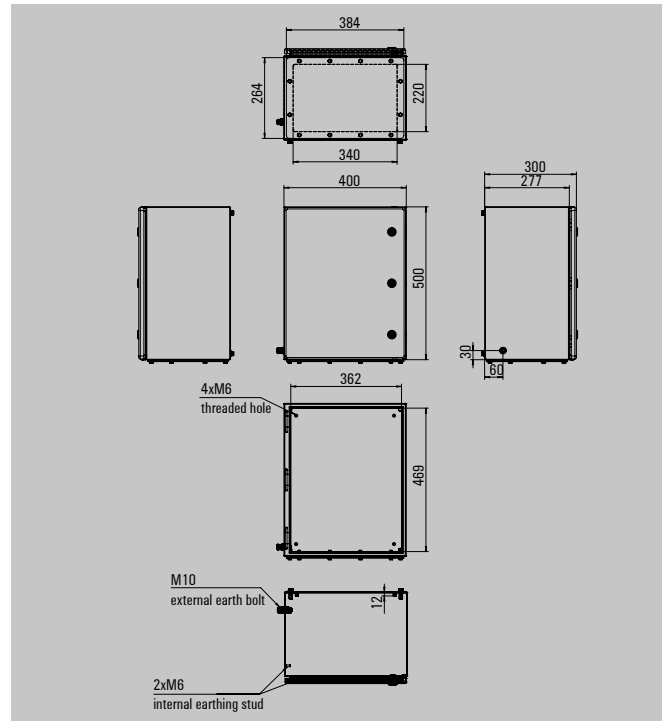
**Note :** the number of cable entries above, only serve as a reference when size selection.

Dimensions of mounting plate



Klippon® EBx QL 504030

Depth **300 mm**



H x W x D(mm) 500 x 400 x 300

**Order data**

			Order No.
SS 14301 SUS304	OGP	KEBx QL 504030 S2B0	<b>2660200025</b>
	1GP	KEBx QL 504030 S2B1	<b>2660200026</b>
SS 14404 SUS316L	OGP	KEBx QL 504030 S4B0	<b>2660200064</b>
	1GP	KEBx QL 504030 S4B1	<b>2660200065</b>

**Accessories**

<b>Mounting plate(3mm, ordered separately)</b>			Order No.
	Zinc plated steel(SGCC)	KEB MOPL 5040 MSZN	<b>2660200165</b>
	SS 14301 SUS304	KEB MOPL 5040 S2	<b>2660200199</b>
	SS 14404 SUS316	KEB MOPL 5040 S4	<b>2660200182</b>
<b>Mounting feet(ordered separately, 4pcs/set)</b>			
	SS 14301 SUS304	KEB MOFT LARGE S2	<b>2660200172</b>
	Zinc plated steel(SGCC)	KEB MOFT LARGE MSZN	<b>2660200206</b>
	SS 14404 SUS316	KEB MOFT LARGE S4	<b>2660200189</b>
<b>Gland plates</b>			
		KEBx GP 504030 S2 t3	<b>2660200227</b>
		KEBx GP 504030 S4 t3	<b>2660200241</b>

**Terminals (with WDU series as reference)5040**

Max. number of terminals(industry)	Vertially	Horizontally	
	2.5 mm	4x90	5x70
	4 mm	3x73	4x57
	6 mm	3x55	4x43
	10 mm	2x46	3x35
	16 mm	1x26	2x18
	35 mm	1x16	1x10

**Note :**

Terminal blocks shall be assembled via TAS20 or on a mounting plate. Assembly with terminal blocks provides for 10 mm clearance to the ends of the mounting rail. Recommended order:

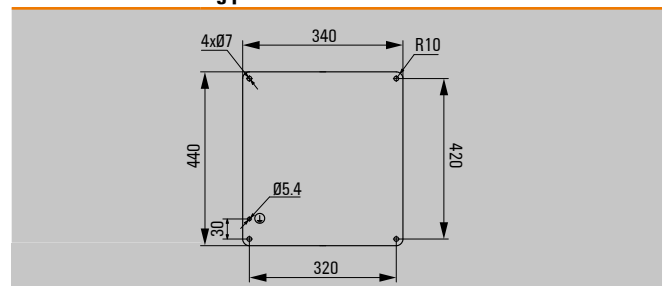
The number of terminals are calculated based on WDU\* dimensions, only for reference.

**Number of cable entries (based on OGP version)**

	A/B	C/D	
	M20	48	58/60
	M25	30	38/40
	M32	20	27/28
	M40	12	17/18
	M50	12	14/15

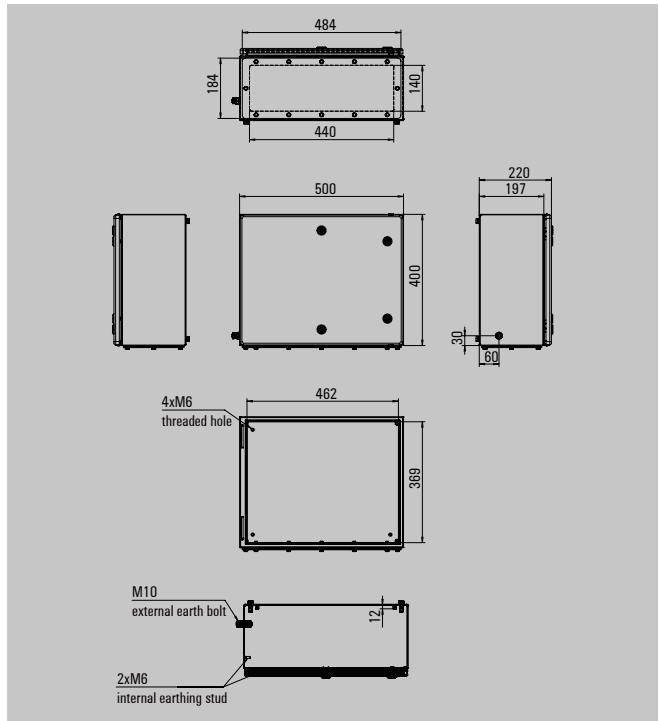
**Note :** the number of cable entries above, only serve as a reference when size selection.

**Dimensions of mounting plate**



Klippon® EBx QL 405022

Depth 220 mm



H x W x D(mm) 400 x 500 x 220

Order data

			Order No.
SS 14301 SUS304	OGP	KEBx QL 405022 S2B0	2660200027
	1GP	KEBx QL 405022 S2B1	2660200028
SS 14404 SUS316L	OGP	KEBx QL 405022 S4B0	2660200066
	1GP	KEBx QL 405022 S4B1	2660200067

Accessories

Mounting plate(3mm, ordered separately)			Order No.
	Zinc plated steel(SGCC)	KEB MOPL 4050 MSZN	2660200166
	SS 14301 SUS304	KEB MOPL 4050 S2	2660200200
	SS 14404 SUS316	KEB MOPL 4050 S4	2660200183
Mounting feet(ordered separately, 4pcs/set)			
	SS 14301 SUS304	KEB MOFT LARGE S2	2660200172
	Zinc plated steel(SGCC)	KEB MOFT LARGE MSZN	2660200206
	SS 14404 SUS316	KEB MOFT LARGE S4	2660200189
Gland plates			
		KEBx GP 405022 S2 t3	2660200224
		KEBx GP 405022 S4 t3	2660200238

Terminals (with WDU series as reference)4050

Max. number of terminals(industry)	Vertially	Horizontally
2.5 mm	5x70	4x90
4 mm	4x57	3x73
6 mm	4x43	3x55
10 mm	3x35	2x46
16 mm	2x18	1x26
35 mm	1x10	1x16



Note :

Terminal blocks shall be assembled via TAS20 or on a mounting plate  
 Assembly with terminal blocks provides for 10 mm clearance to the ends of the mounting rail.  
 Recommended order:

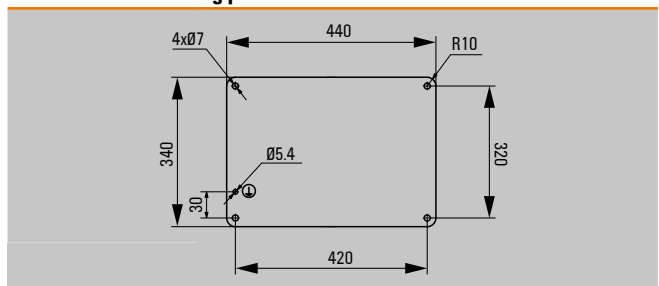
The number of terminals are calculated based on WDU\* dimensions, only for reference.

Number of cable entries (based on OGP version)

	A/B	C/D
	M20	40
	M25	24
	M32	21
	M40	12
	M50	10
		30/32
		16/18
		14/15
		7/8
		7/8

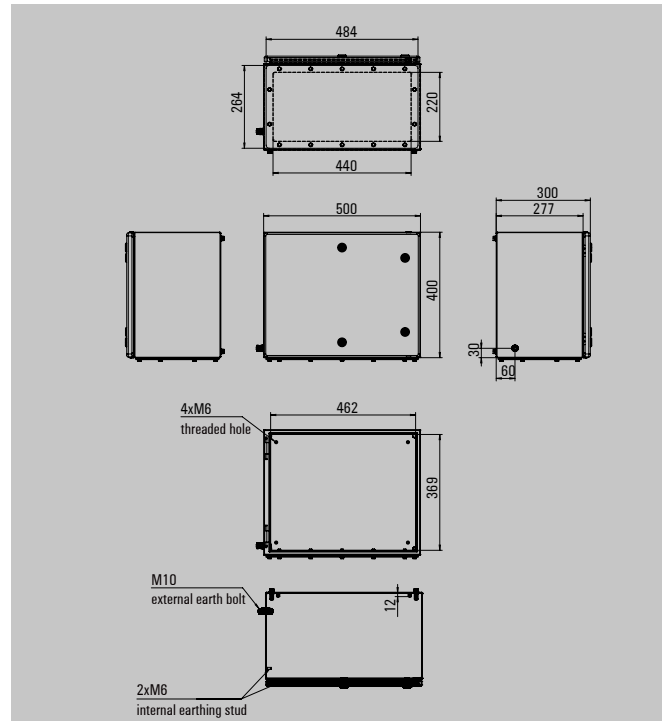
Note : the number of cable entries above, only serve as a reference when size selection.

Dimensions of mounting plate



Klippon® EBx QL 405030

Depth **300 mm**



H x W x D(mm) 400 x 500 x 300

**Order data**

			Order No.
SS 14301 SUS304	OGP	KEBx QL 405030 S2B0	<b>2660200029</b>
	1GP	KEBx QL 405030 S2B1	<b>2660200030</b>
SS 14404 SUS316L	OGP	KEBx QL 405030 S4B0	<b>2660200068</b>
	1GP	KEBx QL 405030 S4B1	<b>2660200069</b>

**Accessories**

<b>Mounting plate(3mm, ordered separately)</b>			Order No.
	Zinc plated steel(SGCC)	KEB MOPL 4050 MSZN	<b>2660200166</b>
	SS 14301 SUS304	KEB MOPL 4050 S2	<b>2660200200</b>
	SS 14404 SUS316	KEB MOPL 4050 S4	<b>2660200183</b>
<b>Mounting feet(ordered separately, 4pcs/set)</b>			
	SS 14301 SUS304	KEB MOFT LARGE S2	<b>2660200172</b>
	Zinc plated steel(SGCC)	KEB MOFT LARGE MSZN	<b>2660200206</b>
	SS 14404 SUS316	KEB MOFT LARGE S4	<b>2660200189</b>
<b>Gland plates</b>			
		KEBx GP 405030 S2 t3	<b>2660200225</b>
		KEBx GP 405030 S4 t3	<b>2660200239</b>

**Terminals (with WDU series as reference)4050**

Max. number of terminals(industry)	Vertially	Horizontally
2.5 mm	5x70	4x90
4 mm	4x57	3x73
6 mm	4x43	3x55
10 mm	3x35	2x46
16 mm	2x18	1x26
35 mm	1x10	1x16



**Note :**

Terminal blocks shall be assembled via TAS20 or on a mounting plate. Assembly with terminal blocks provides for 10 mm clearance to the ends of the mounting rail. Recommended order:

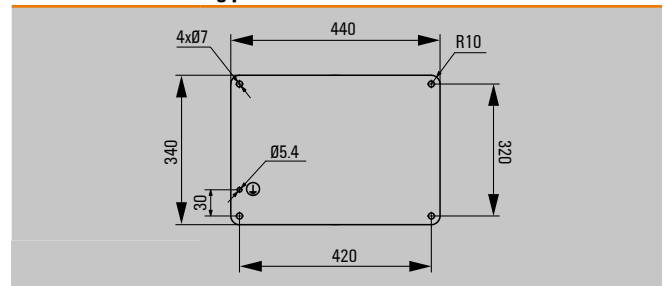
The number of terminals are calculated based on WDU\* dimensions, only for reference.

**Number of cable entries (based on OGP version)**

	A/B	C/D
	60	46/48
	40	28/30
	28	19/20
	18	10/12
	15	10/12

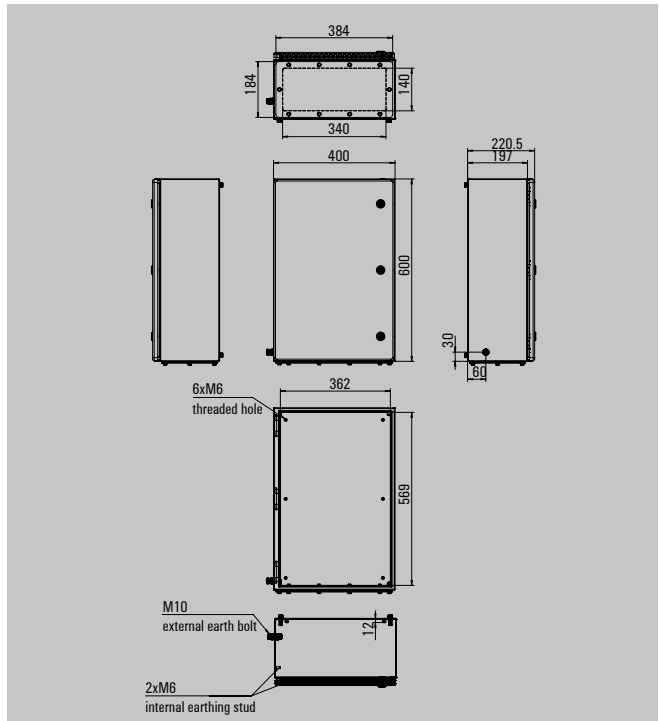
**Note :** the number of cable entries above, only serve as a reference when size selection.

**Dimensions of mounting plate**



Klippon® EBx QL 604022

Depth 220 mm



H x W x D(mm) 600 x 400 x 220

Order data

			Order No.
SS 14301 SUS304	OGP	KEBx QL 604022 S2B0	2660200031
	1GP	KEBx QL 604022 S2B1	2660200032
SS 14404 SUS316L	OGP	KEBx QL 604022 S4B0	2660200070
	1GP	KEBx QL 604022 S4B1	2660200071

Accessories

Mounting plate(3mm, ordered separately)			Order No.
	Zinc plated steel(SGCC)	KEB MOPL 6040 MSZN	2660200167
	SS 14301 SUS304	KEB MOPL 6040 S2	2660200201
	SS 14404 SUS316	KEB MOPL 6040 S4	2660200184

Mounting feet(ordered separately, 4pcs/set)			Order No.
	SS 14301 SUS304	KEB MOFT LARGE S2	2660200172
	Zinc plated steel(SGCC)	KEB MOFT LARGE MSZN	2660200206
	SS 14404 SUS316	KEB MOFT LARGE S4	2660200189

Gland plates			Order No.
		KEBx GP 604022 S2 t3	2660200228
		KEBx GP 604022 S4 t3	2660200242

Terminals (with WDU series as reference)6040

Max. number of terminals(industry)	Vertially	Horizontally
2.5 mm	4x109	6x70
4 mm	3x90	5x57
6 mm	3x68	5x43
10 mm	2x57	4x35
16 mm	1x35	2x18
35 mm	1x22	2x10



Note :

Terminal blocks shall be assembled via TAS20 or on a mounting plate  
 Assembly with terminal blocks provides for 10 mm clearance to the ends of the mounting rail.  
 Recommended order:

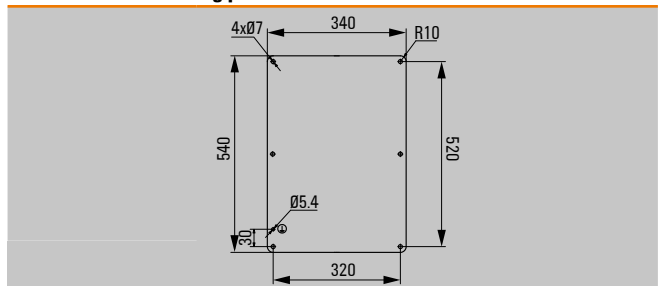
The number of terminals are calculated based on WDU\* dimensions, only for reference.

Number of cable entries (based on OGP version)

	A/B	C/D	
	M20	32	46/48
	M25	18	28/30
	M32	15	23/24
	M40	8	12/14
	M50	8	10/12

Note : the number of cable entries above, only serve as a reference when size selection.

Dimensions of mounting plate



Klippon® EBx QL 604030

Depth **300 mm**





H x W x D(mm) 600 x 400 x 300


**Order data**

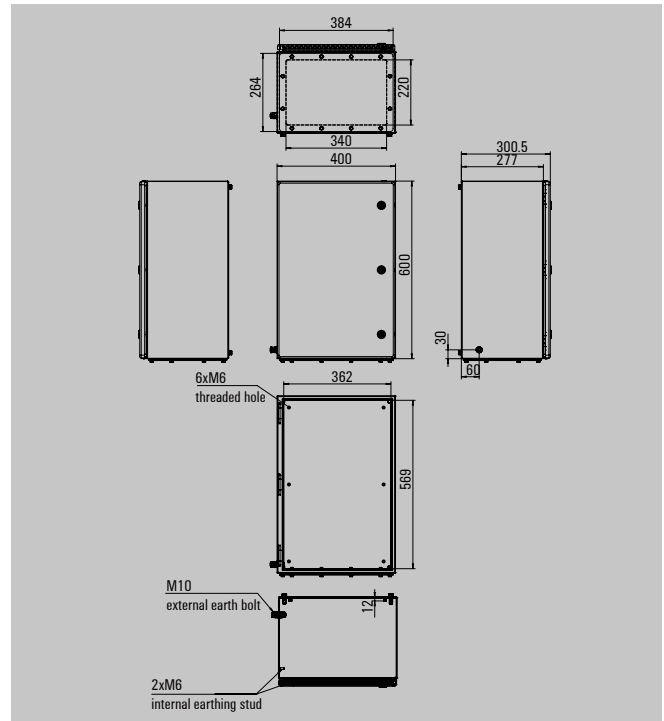
			Order No.
SS 14301 SUS304	OGP	KEBx QL 604030 S2B0	<b>2660200033</b>
	1GP	KEBx QL 604030 S2B1	<b>2660200034</b>
SS 14404 SUS316L	OGP	KEBx QL 604030 S4B0	<b>2660200072</b>
	1GP	KEBx QL 604030 S4B1	<b>2660200073</b>

**Accessories**


<b>Mounting plate(t3mm, ordered separately)</b>			Order No.
	Zinc plated steel(SGCC)	KEB MOPL 6040 MSZN	<b>2660200167</b>
	SS 14301 SUS304	KEB MOPL 6040 S2	<b>2660200201</b>
	SS 14404 SUS316	KEB MOPL 6040 S4	<b>2660200184</b>

<b>Mounting feet(ordered separately, 4pcs/set)</b>			Order No.
	SS 14301 SUS304	KEB MOFT LARGE S2	<b>2660200172</b>
	Zinc plated steel(SGCC)	KEB MOFT LARGE MSZN	<b>2660200206</b>
	SS 14404 SUS316	KEB MOFT LARGE S4	<b>2660200189</b>

<b>Gland plates</b>			Order No.
		KEBx GP 604030 S2 t3	<b>2660200229</b>
		KEBx GP 604030 S4 t3	<b>2660200243</b>



**Terminals (with WDU series as reference)6040**


Max. number of terminals(industry)	Vertially	Horizontally	
	2.5 mm	4x109	6x70
	4 mm	3x90	5x57
	6 mm	3x68	5x43
	10 mm	2x57	4x35
	16 mm	1x35	2x18
	35 mm	1x22	2x10

**Note :**

Terminal blocks shall be assembled via TAS20 or on a mounting plate. Assembly with terminal blocks provides for 10 mm clearance to the ends of the mounting rail. Recommended order:

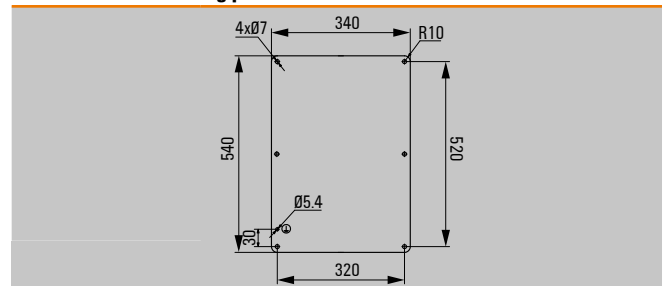
The number of terminals are calculated based on WDU\* dimensions, only for reference.

**Number of cable entries (based on OGP version)**

	A/B	C/D	
	M20	48	70/72
	M25	30	48/50
	M32	20	30/32
	M40	12	19/21
	M50	12	15/18

**Note :** the number of cable entries above, only serve as a reference when size selection.

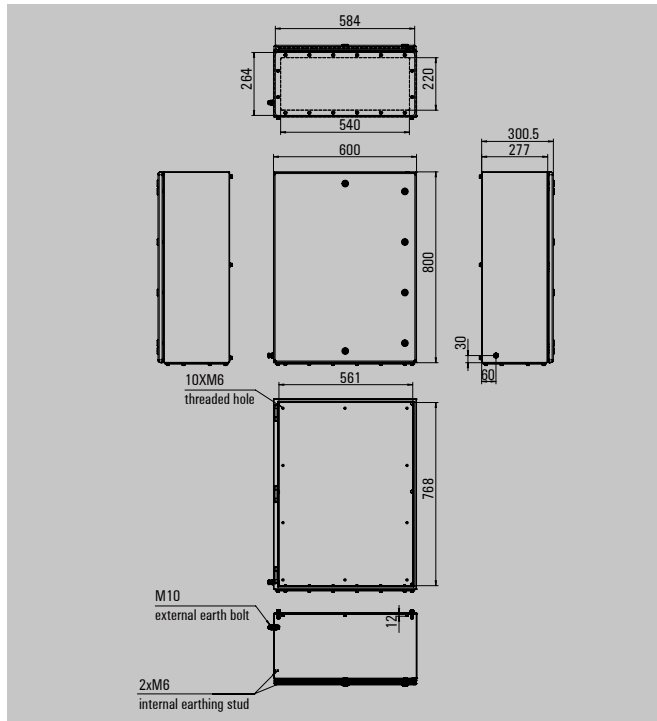
**Dimensions of mounting plate**





Klippon® EBx QL 806030

Depth 300 mm



H x W x D(mm) 800 x 600 x 300

Order data

			Order No.
SS 14301 SUS304	OGP	KEBx QL 806030 S2B0	2660200035
	1GP	KEBx QL 806030 S2B1	2660200036
SS 14404 SUS316L	OGP	KEBx QL 806030 S4B0	2660200074
	1GP	KEBx QL 806030 S4B1	2660200075

Accessories

Mounting plate(3mm, ordered separately)			Order No.
	Zinc plated steel(SGCC)	KEB MOPL 8060 MSZN	2660200168
	SS 14301 SUS304	KEB MOPL 8060 S2	2660200202
	SS 14404 SUS316	KEB MOPL 8060 S4	2660200185
Mounting feet(ordered separately, 6pcs/set)			
	SS 14301 SUS304	KEB MOFT LARGE S2(6PCS)	2660200245
	Zinc plated steel(SGCC)	KEB MOFT LARGE MSZN(6PCS)	2660200247
	SS 14404 SUS316	KEB MOFT LARGE S4(6PCS)	2660200246
Gland plates			
		KEBx GP 806030 S2 t3	2660200230
		KEBx GP 806030 S4 t3	2660200244

Terminals (with WDU series as reference)8060

Max. number of terminals(industry)	Vertially	Horizontally
	2.5 mm	6x149
	4 mm	5x122
	6 mm	5x93
	10 mm	4x72
	16 mm	2x52
	35 mm	2x35



Note :

Terminal blocks shall be assembled via TAS20 or on a mounting plate  
 Assembly with terminal blocks provides for 10 mm clearance to the ends of the mounting rail.  
 Recommended order:

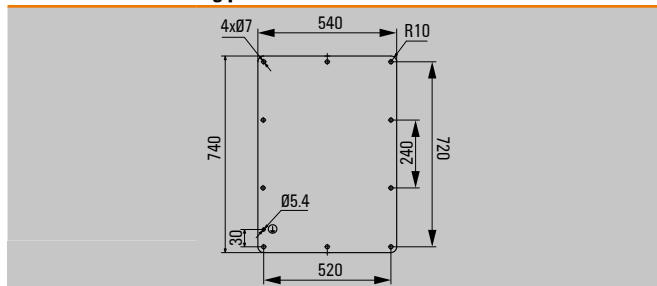
The number of terminals are calculated based on WDU\* dimensions, only for reference.

Number of cable entries (based on OGP version)

	A/B	C/D
	M20	72
	M25	50
	M32	32
	M40	21
	M50	18

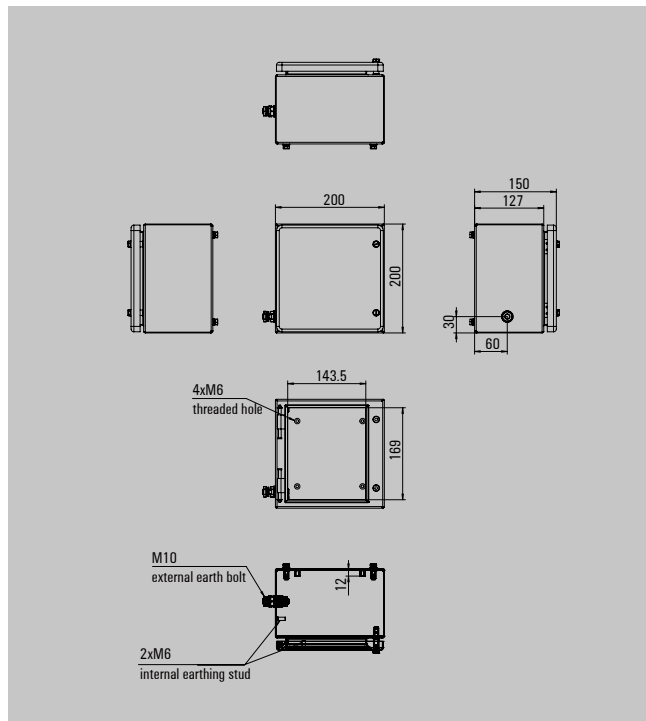
Note : the number of cable entries above, only serve as a reference when size selection.

Dimensions of mounting plate



Klippon® EBx HS 202015

Depth 150 mm





H x W x D(mm) 200 x 200 x 150

Order data


			Order No.
SS 14301 SUS304	OGP	KEBx HS 202015 S2B0	2660200078
	1GP		
SS 14404 SUS316L	OGP	KEBx HS 202015 S4B0	2660200117
	1GP		

Accessories

Mounting plate(3mm, ordered separately)			Order No.
	Zinc plated steel(SGCC)	KEB MOPL 2020 MSZN	2660200156
	SS 14301 SUS304	KEB MOPL 2020 S2	2660200190
	SS 14404 SUS316	KEB MOPL 2020 S4	2660200173

Mounting feet(ordered separately, 4pcs/set)			Order No.
	SS 14301 SUS304	KEB MOFT SMALL S2	2660200171
	Zinc plated steel(SGCC)	KEB MOFT SMALL MSZN	2660200205
	SS 14404 SUS316	KEB MOFT SMALL S4	2660200188

Terminals (with WDU series as reference)


Max. number of terminals(industry)	Vertially	Horizontally	
	2.5 mm	2x31	2x31
	4 mm	1x24	1x24
	6 mm	1x17	1x17
	10 mm	1x13	1x13
	16 mm		
	35 mm		

Note :

Terminal blocks shall be assembled via TAS20 or on a mounting plate. Assembly with terminal blocks provides for 10 mm clearance to the ends of the mounting rail. Recommended order:

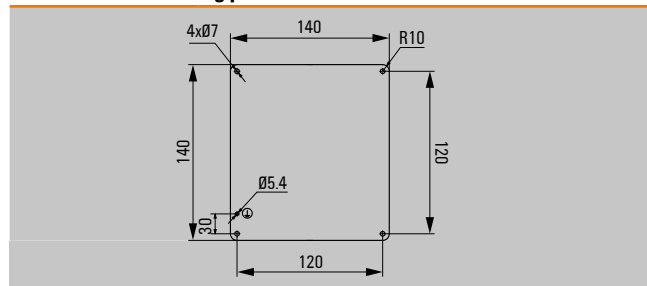
The number of terminals are calculated based on WDU\* dimensions, only for reference.

Number of cable entries (based on OGP version)

	A/B	C/D	
	M20	8	6/8
	M25	6	4/6
	M32	2	1/2
	M40	2	1/2
	M50	1	1

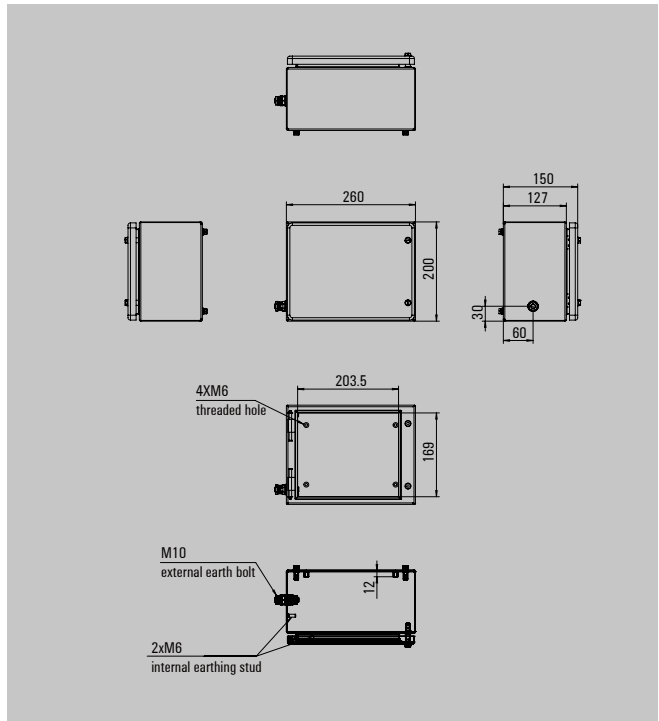
Note : the number of cable entries above, only serve as a reference when size selection.

Dimensions of mounting plate



Klippon® EBx HS 202615

Depth 150 mm



H x W x D(mm) 200 x 260 x 150

Order data

			Order No.
SS 14301 SUS304	OGP	KEBx HS 202615 S2B0	2660200079
	1GP		
SS 14404 SUS316L	OGP	KEBx HS 202615 S4B0	2660200118
	1GP		

Accessories

Mounting plate(3mm, ordered separately)			Order No.
	Zinc plated steel(SGCC)	KEB MOPL 2026 MSZN	2660200157
	SS 14301 SUS304	KEB MOPL 2026 S2	2660200191
	SS 14404 SUS316	KEB MOPL 2026 S4	2660200174

Mounting feet(ordered separately, 4pcs/set)			Order No.
	SS 14301 SUS304	KEB MOFT SMALL S2	2660200171
	Zinc plated steel(SGCC)	KEB MOFT SMALL MSZN	2660200205
	SS 14404 SUS316	KEB MOFT SMALL S4	2660200188

Terminals (with WDU series as reference)2026

Max. number of terminals(industry)	Vertially	Horizontally
2.5 mm	2x31	2x43
4 mm	2x24	1x34
6 mm	2x17	1x25
10 mm	1x13	1x20
16 mm		
35 mm		



Note :

Terminal blocks shall be assembled via TAS20 or on a mounting plate  
 Assembly with terminal blocks provides for 10 mm clearance to the ends of the mounting rail.  
 Recommended order:

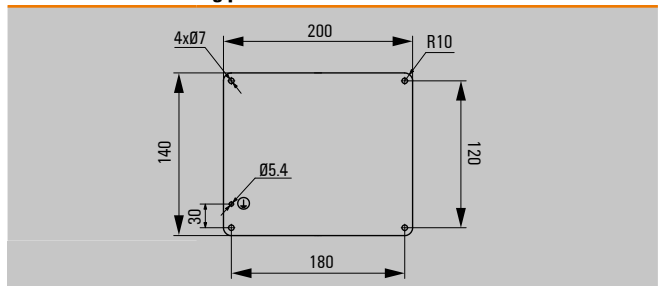
The number of terminals are calculated based on WDU\* dimensions, only for reference.

Number of cable entries (based on OGP version)

	A/B	C/D
	M20	10
	M25	8
	M32	2
	M40	2
	M50	1

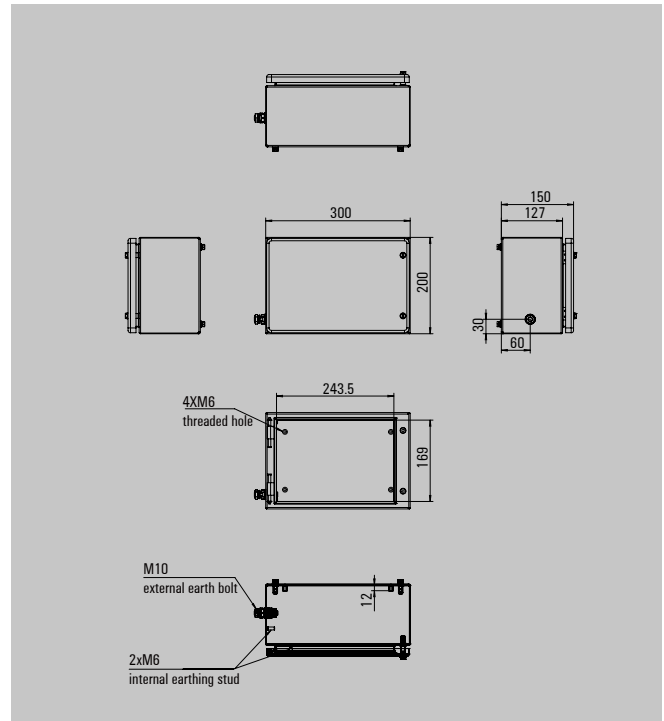
Note : the number of cable entries above, only serve as a reference when size selection.

Dimensions of mounting plate



Klippon® EBx HS 203015

Depth 150 mm





H x W x D(mm) 200 x 300 x 150

Order data


			Order No.
SS 14301 SUS304	OGP	KEBx HS 203015 S2B0	2660200080
	1GP		
SS 14404 SUS316L	OGP	KEBx HS 203015 S4B0	2660200119
	1GP		

Accessories

Mounting plate(3mm, ordered separately)			Order No.
	Zinc plated steel(SGCC)	KEB MOPL 2030 MSZN	2660200158
	SS 14301 SUS304	KEB MOPL 2030 S2	2660200192
	SS 14404 SUS316	KEB MOPL 2030 S4	2660200175

Mounting feet(ordered separately, 4pcs/set)			Order No.
	SS 14301 SUS304	KEB MOFT SMALL S2	2660200171
	Zinc plated steel(SGCC)	KEB MOFT SMALL MSZN	2660200205
	SS 14404 SUS316	KEB MOFT SMALL S4	2660200188

Terminals (with WDU series as reference)2030


Max. number of terminals(industry)	Vertially	Horizontally	
	2.5 mm	2x31	2x50
	4 mm	2x24	1x40
	6 mm	2x17	1x30
	10 mm	2x13	1x24
	16 mm		
	35 mm		

Note :

Terminal blocks shall be assembled via TAS20 or on a mounting plate. Assembly with terminal blocks provides for 10 mm clearance to the ends of the mounting rail. Recommended order:

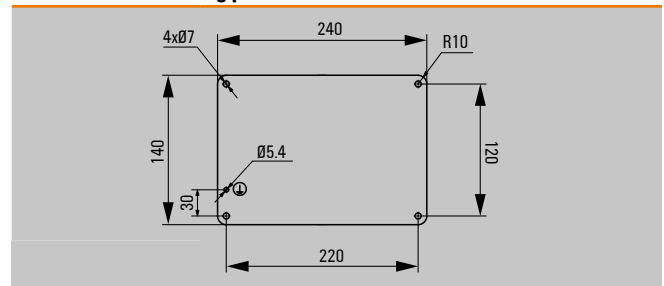
The number of terminals are calculated based on WDU\* dimensions, only for reference.

Number of cable entries (based on OGP version)

	A/B	C/D	
	M20	12	6/8
	M25	10	4/6
	M32	4	1/2
	M40	3	1/2
	M50	2	1

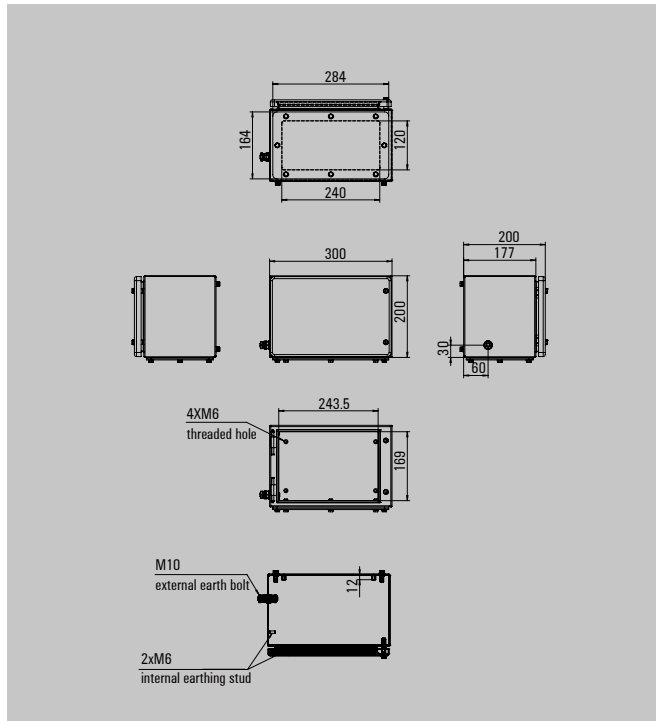
Note : the number of cable entries above, only serve as a reference when size selection.

Dimensions of mounting plate



Klippon® EBx HS 203020

Depth 200 mm



H x W x D(mm) 200 x 300 x 200

Order data

			Order No.
SS 14301 SUS304	OGP	KEBx HS 203020 S2B0	2660200081
	1GP	KEBx HS 203020 S2B1	2660200082
SS 14404 SUS316L	OGP	KEBx HS 203020 S4B0	2660200120
	1GP	KEBx HS 203020 S4B1	2660200121

Accessories

Mounting plate(3mm, ordered separately)			Order No.
	Zinc plated steel(SGCC)	KEB MOPL 2030 MSZN	2660200158
	SS 14301 SUS304	KEB MOPL 2030 S2	2660200192
	SS 14404 SUS316	KEB MOPL 2030 S4	2660200175
Mounting feet(ordered separately, 4pcs/set)			
	SS 14301 SUS304	KEB MOFT SMALL S2	2660200171
	Zinc plated steel(SGCC)	KEB MOFT SMALL MSZN	2660200205
	SS 14404 SUS316	KEB MOFT SMALL S4	2660200188
Gland platesGP			
		KEBx GP 203020 S2 t3	2660200217
		KEBx GP 203020 S4 t3	2660200231

Terminals (with WDU series as reference)2026

Max. number of terminals(industry)	Vertially	Horizontally
2.5 mm	2x31	2x50
4 mm	2x24	1x40
6 mm	2x17	1x30
10 mm	2x13	1x24
16 mm		
35 mm		

Note :

Terminal blocks shall be assembled via TAS20 or on a mounting plate  
 Assembly with terminal blocks provides for 10 mm clearance to the ends of the mounting rail.  
 Recommended order:

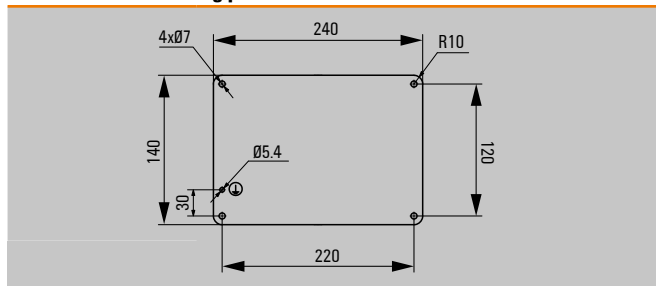
The number of terminals are calculated based on WDU\* dimensions, only for reference.

Number of cable entries (based on OGP version)

	A/B	C/D
M20	18	10/12
M25	15	7/9
M32	8	1/4
M40	6	1/4
M50	2	1

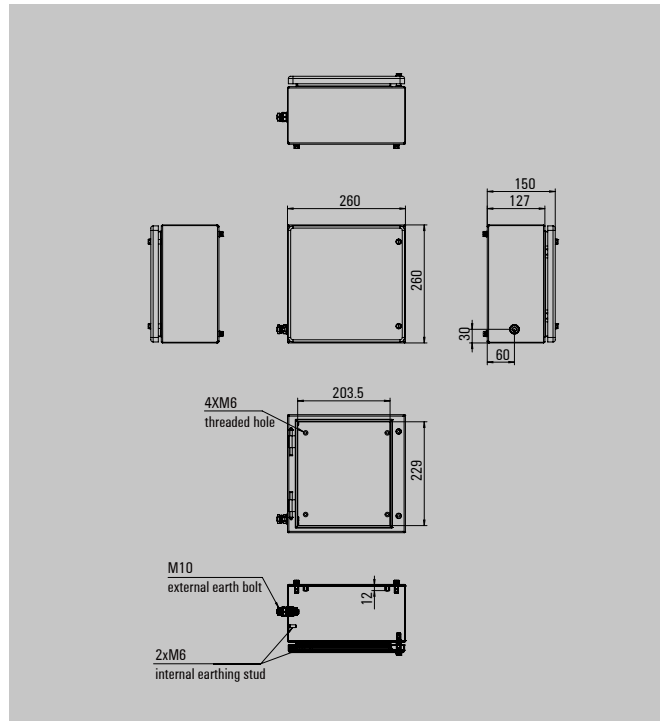
Note : the number of cable entries above, only serve as a reference when size selection.

Dimensions of mounting plate



Klippon® EBx HS 262615

Depth 150 mm





H x W x D(mm) 260 x 260 x 150

Order data


			Order No.
SS 14301 SUS304	OGP	KEBx HS 262615 S2B0	2660200083
	1GP		
SS 14404 SUS316L	OGP	KEBx HS 262615 S4B0	2660200122
	1GP		

Accessories

Mounting plate(3mm, ordered separately)			Order No.
	Zinc plated steel(SGCC)	KEB MOPL 2626 MSZN	2660200159
	SS 14301 SUS304	KEB MOPL 2626 S2	2660200193
	SS 14404 SUS316	KEB MOPL 2626 S4	2660200176

Mounting feet(ordered separately, 4pcs/set)			Order No.
	SS 14301 SUS304	KEB MOFT SMALL S2	2660200171
	Zinc plated steel(SGCC)	KEB MOFT SMALL MSZN	2660200205
	SS 14404 SUS316	KEB MOFT SMALL S4	2660200188

Terminals (with WDU series as reference)2626


Max. number of terminals(industry)	Vertially	Horizontally
	2.5 mm 2x43	2x43
	4 mm 2x34	2x34
	6 mm 2x25	2x25
	10 mm 2x20	2x20
	16 mm 2x6	2x6
	35 mm	

Note :

Terminal blocks shall be assembled via TAS20 or on a mounting plate. Assembly with terminal blocks provides for 10 mm clearance to the ends of the mounting rail. Recommended order:

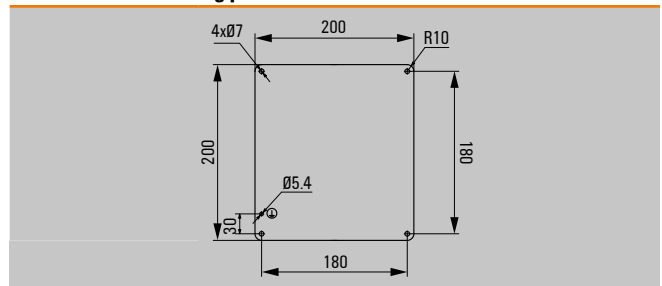
The number of terminals are calculated based on WDU\* dimensions, only for reference.

Number of cable entries (based on OGP version)

	A/B	C/D
	M20 10	8/10
	M25 8	6/8
	M32 3	1/3
	M40 3	1/3
	M50 2	1/2

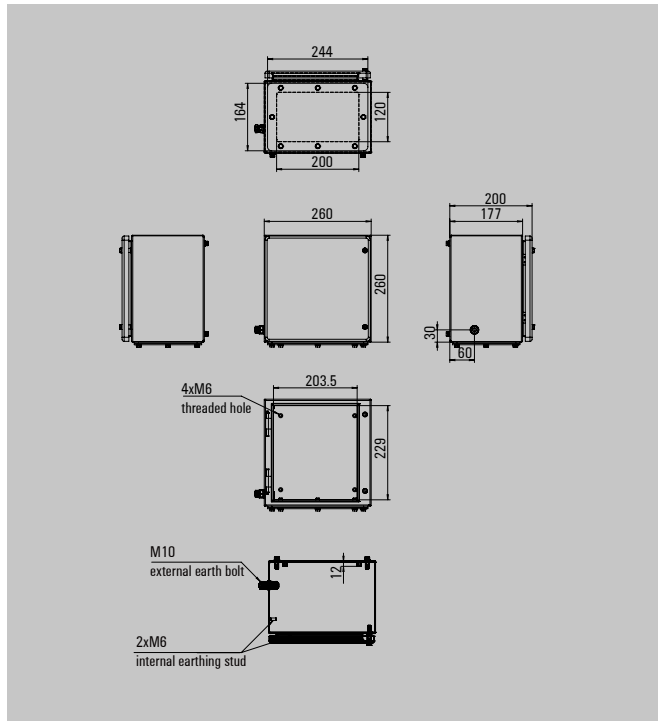
Note : the number of cable entries above, only serve as a reference when size selection.

Dimensions of mounting plate



Klippon® EBx HS 262620

Depth 200 mm






H x W x D(mm) 260 x 260 x 200


Order data

			Order No.
SS 14301 SUS304	OGP	KEBx HS 262620 S2B0	2660200084
	1GP	KEBx HS 262620 S2B1	2660200085
SS 14404 SUS316L	OGP	KEBx HS 262620 S4B0	2660200123
	1GP	KEBx HS 262620 S4B1	2660200124

Accessories

Mounting plate(3mm, ordered separately)			Order No.
	Zinc plated steel(SGCC)	KEB MOPL 2626 MSZN	2660200159
	SS 14301 SUS304	KEB MOPL 2626 S2	2660200193
	SS 14404 SUS316	KEB MOPL 2626 S4	2660200176
Mounting feet(ordered separately, 4pcs/set)			
	SS 14301 SUS304	KEB MOFT SMALL S2	2660200171
	Zinc plated steel(SGCC)	KEB MOFT SMALL MSZN	2660200205
	SS 14404 SUS316	KEB MOFT SMALL S4	2660200188
Gland plates			
		KEBx GP 262620 S2 t3	2660200218
		KEBx GP 262620 S4 t3	2660200232

Terminals (with WDU series as reference)2626


Max. number of terminals(industry)	Vertially	Horizontally
	2.5 mm	2x43
	4 mm	2x34
	6 mm	2x25
	10 mm	2x20
	16 mm	2x6
	35 mm	2x6

Note :

Terminal blocks shall be assembled via TAS20 or on a mounting plate  
 Assembly with terminal blocks provides for 10 mm clearance to the ends of the mounting rail.  
 Recommended order:

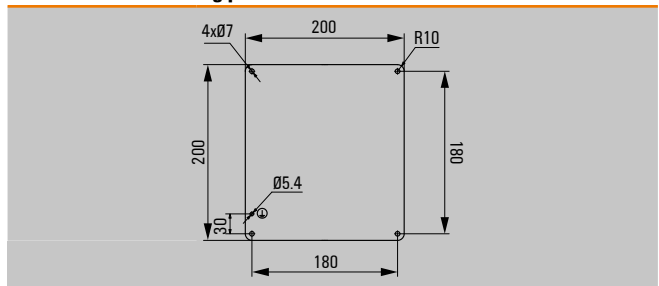
The number of terminals are calculated based on WDU\* dimensions, only for reference.

Number of cable entries (based on OGP version)

	A/B	C/D
	M20	15
	M25	12
	M32	6
	M40	6
	M50	2

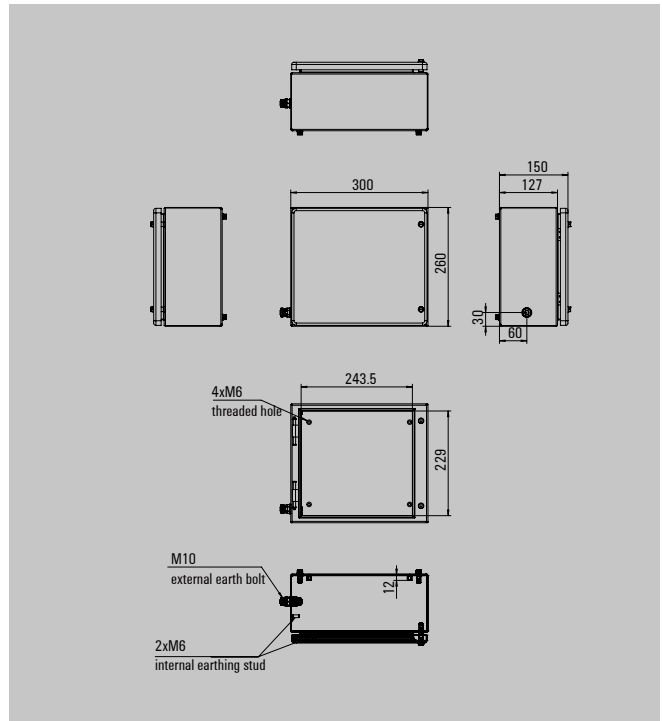
Note : the number of cable entries above, only serve as a reference when size selection.

Dimensions of mounting plate



Klippon® EBx HS 263015

Depth 150 mm





H x W x D(mm) 260 x 300 x 150

Order data


			Order No.
SS 14301 SUS304	OGP	KEBx HS 263015 S2B0	2660200086
	1GP		
SS 14404 SUS316L	OGP	KEBx HS 263015 S4B0	2660200125
	1GP		

Accessories

Mounting plate(3mm, ordered separately)			Order No.
	Zinc plated steel(SGCC)	KEB MOPL 2630 MSZN	2660200160
	SS 14301 SUS304	KEB MOPL 2630 S2	2660200194
	SS 14404 SUS316	KEB MOPL 2630 S4	2660200177

Mounting feet(ordered separately, 4pcs/set)			Order No.
	SS 14301 SUS304	KEB MOFT SMALL S2	2660200171
	Zinc plated steel(SGCC)	KEB MOFT SMALL MSZN	2660200205
	SS 14404 SUS316	KEB MOFT SMALL S4	2660200188

Terminals (with WDU series as reference)2626


Max. number of terminals(industry)	Vertially	Horizontally	
	2.5 mm	2x43	2x50
	4 mm	2x34	2x40
	6 mm	2x25	1x30
	10 mm	2x20	1x24
	16 mm	1x6	1x10
	35 mm		

Note :

Terminal blocks shall be assembled via TAS20 or on a mounting plate. Assembly with terminal blocks provides for 10 mm clearance to the ends of the mounting rail. Recommended order:

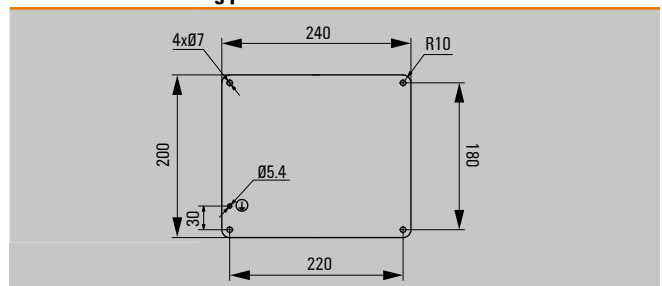
The number of terminals are calculated based on WDU\* dimensions, only for reference.

Number of cable entries (based on OGP version)

	A/B	C/D	
	M20	12	8/10
	M25	10	6/8
	M32	4	1/3
	M40	3	1/3
	M50	2	1/2

Note : the number of cable entries above, only serve as a reference when size selection.

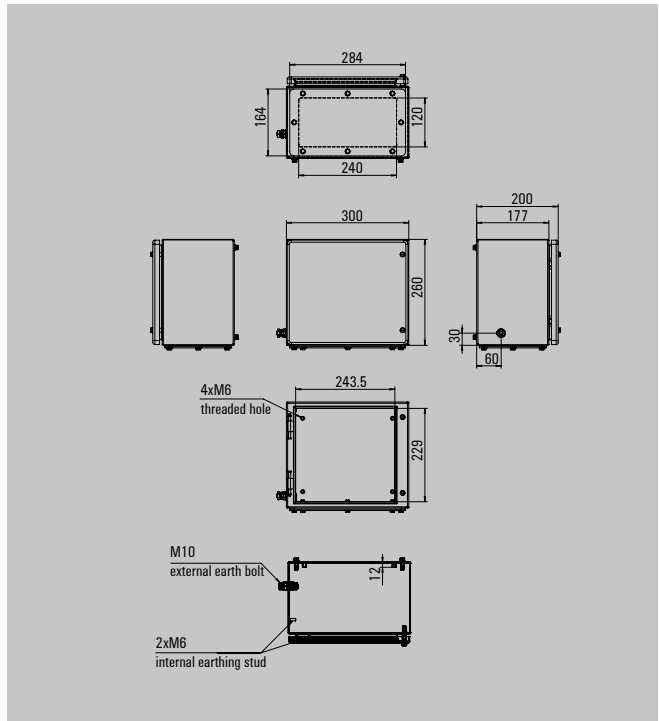
Dimensions of mounting plate





Klippon® EBx HS 263020

Depth 200 mm





H x W x D(mm) 260 x 300 x 200


Order data

			Order No.
SS 14301 SUS304	OGP	KEBx HS 263020 S2B0	2660200087
	1GP	KEBx HS 263020 S2B1	2660200088
SS 14404 SUS316L	OGP	KEBx HS 263020 S4B0	2660200126
	1GP	KEBx HS 263020 S4B1	2660200127


Accessories

Mounting plate(3mm, ordered separately)			Order No.
	Zinc plated steel(SGCC)	KEB MOPL 2630 MSZN	2660200160
	SS 14301 SUS304	KEB MOPL 2630 S2	2660200194
	SS 14404 SUS316	KEB MOPL 2630 S4	2660200177

Mounting feet(ordered separately, 4pcs/set)			Order No.
	SS 14301 SUS304	KEB MOFT SMALL S2	2660200171
	Zinc plated steel(SGCC)	KEB MOFT SMALL MSZN	2660200205
	SS 14404 SUS316	KEB MOFT SMALL S4	2660200188

Gland plates			Order No.
		KEBx GP 263020 S2 t3	2660200219
		KEBx GP 263020 S4 t3	2660200233

Terminals (with WDU series as reference)2630


Max. number of terminals(industry)	Vertially	Horizontally	
	2.5 mm	2x43	2x50
	4 mm	2x34	2x40
	6 mm	2x25	1x30
	10 mm	2x20	1x24
	16 mm	1x6	1x10
	35 mm		

Note :

Terminal blocks shall be assembled via TAS20 or on a mounting plate  
 Assembly with terminal blocks provides for 10 mm clearance to the ends of the mounting rail.  
 Recommended order:

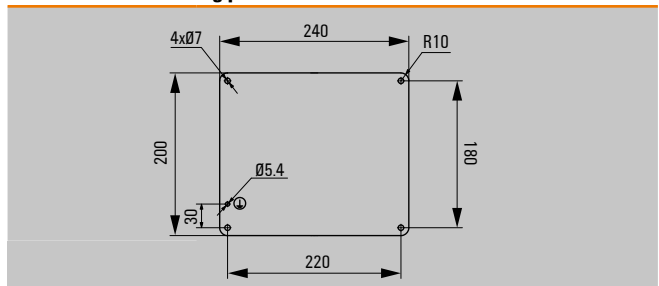
The number of terminals are calculated based on WDU\* dimensions, only for reference.

Number of cable entries (based on OGP version)

	A/B	C/D	
	M20	18	13/15
	M25	15	10/12
	M32	8	5/6
	M40	6	5/6
	M50	2	1/2

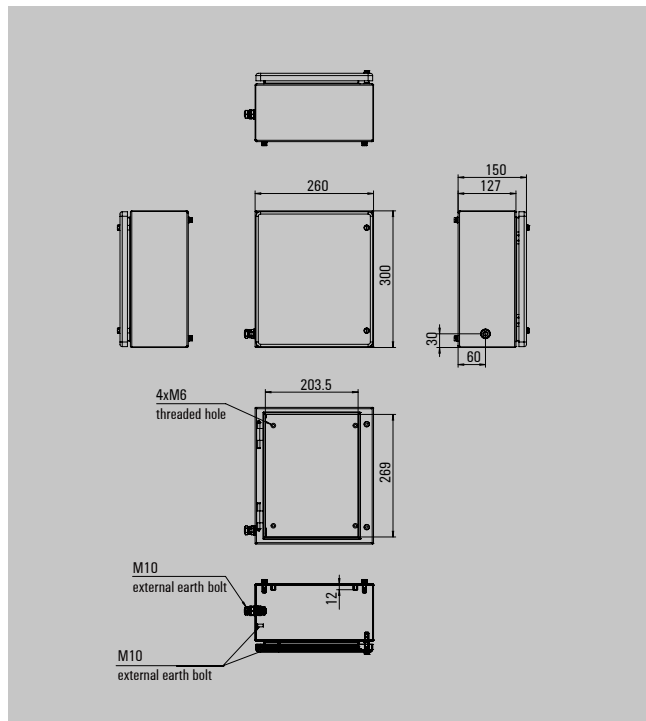
Note : the number of cable entries above, only serve as a reference when size selection.

Dimensions of mounting plate



Klippon® EBx HS 302615

Depth 150 mm





H x W x D(mm) 300 x 260 x 150

Order data


			Order No.
SS 14301 SUS304	OGP	KEBx HS 302615 S2B0	2660200089
	1GP		
SS 14404 SUS316L	OGP	KEBx HS 302615 S4B0	2660200128
	1GP		

Accessories

Mounting plate(3mm, ordered separately)			Order No.
	Zinc plated steel(SGCC)	KEB MOPL 3026 MSZN	2660200161
	SS 14301 SUS304	KEB MOPL 3026 S2	2660200195
	SS 14404 SUS316	KEB MOPL 3026 S4	2660200178

Mounting feet(ordered separately, 4pcs/set)			Order No.
	SS 14301 SUS304	KEB MOFT SMALL S2	2660200171
	Zinc plated steel(SGCC)	KEB MOFT SMALL MSZN	2660200205
	SS 14404 SUS316	KEB MOFT SMALL S4	2660200188

Terminals (with WDU series as reference)3026


Max. number of terminals(industry)	Vertially	Horizontally	
	2.5 mm	2x50	2x43
	4 mm	2x40	2x34
	6 mm	1x30	2x25
	10 mm	1x24	2x20
	16 mm	1x10	1x6
	35 mm		

Note :

Terminal blocks shall be assembled via TAS20 or on a mounting plate. Assembly with terminal blocks provides for 10 mm clearance to the ends of the mounting rail. Recommended order:

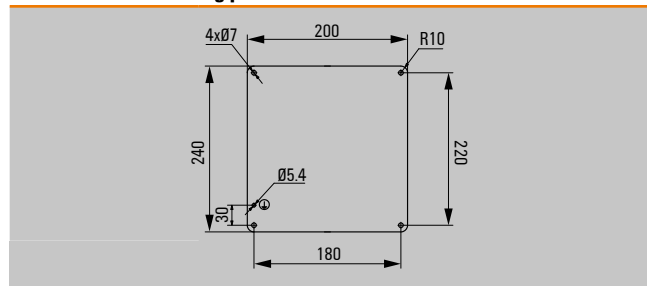
The number of terminals are calculated based on WDU\* dimensions, only for reference.

Number of cable entries (based on OGP version)

	A/B	C/D	
	M20	10	10/12
	M25	8	8/10
	M32	3	3/4
	M40	3	2/3
	M50	2	1/2

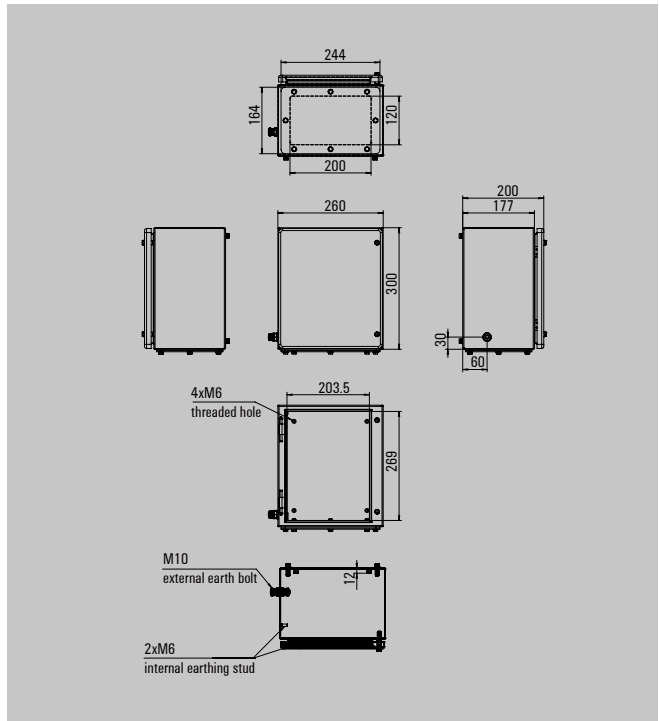
Note : the number of cable entries above, only serve as a reference when size selection.

Dimensions of mounting plate



Klippon® EBx HS 302620

Depth 200 mm






H x W x D(mm) 300 x 260 x 200

Order data

			Order No.
SS 14301 SUS304	OGP	KEBx HS 302620 S2B0	2660200090
	1GP	KEBx HS 302620 S2B1	2660200091
SS 14404 SUS316L	OGP	KEBx HS 302620 S4B0	2660200129
	1GP	KEBx HS 302620 S4B1	2660200130

Accessories

Mounting plate(3mm, ordered separately)			Order No.
	Zinc plated steel(SGCC)	KEB MOPL 3026 MSZN	2660200161
	SS 14301 SUS304	KEB MOPL 3026 S2	2660200195
	SS 14404 SUS316	KEB MOPL 3026 S4	2660200178
Mounting feet(ordered separately, 4pcs/set)			
	SS 14301 SUS304	KEB MOFT SMALL S2	2660200171
	Zinc plated steel(SGCC)	KEB MOFT SMALL MSZN	2660200205
	SS 14404 SUS316	KEB MOFT SMALL S4	2660200188
Gland plates			
		KEBx GP 302620 S2 t3	2660200220
		KEBx GP 302620 S4 t3	2660200234

Terminals (with WDU series as reference)2630

Max. number of terminals(industry)	Vertially	Horizontally
2.5 mm	2x50	2x43
4 mm	2x40	2x34
6 mm	1x30	2x25
10 mm	1x24	2x20
16 mm	1x10	1x6
35 mm		




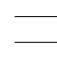
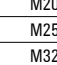


Note :

Terminal blocks shall be assembled via TAS20 or on a mounting plate  
 Assembly with terminal blocks provides for 10 mm clearance to the ends of the mounting rail.  
 Recommended order:

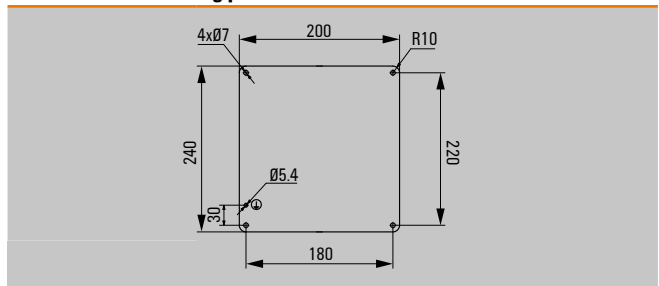
The number of terminals are calculated based on WDU\* dimensions, only for reference.

Number of cable entries (based on OGP version)

	A/B	C/D
	M20	15
	M25	12
	M32	6
	M40	6
	M50	2

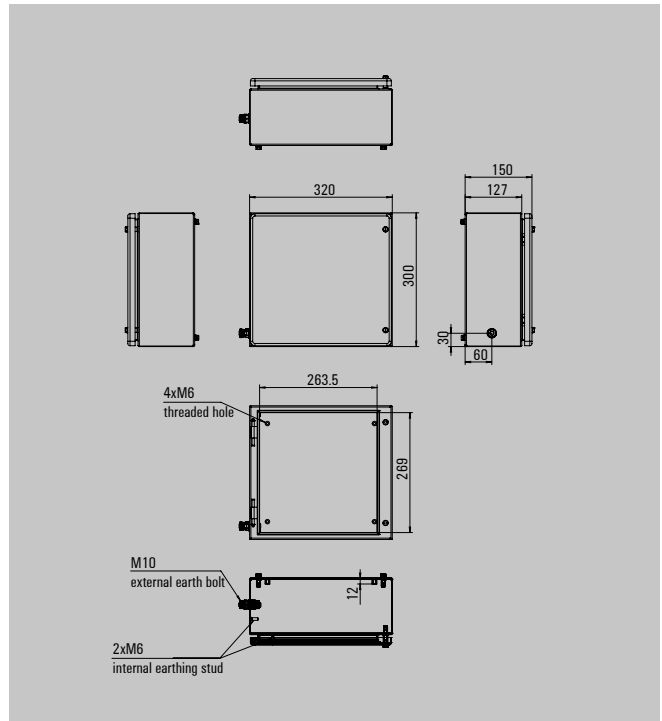
Note : the number of cable entries above, only serve as a reference when size selection.

Dimensions of mounting plate



Klippon® EBx HS 303215

Depth 150 mm





H x W x D(mm) 300 x 320 x 150

Order data


			Order No.
SS 14301 SUS304	OGP	KEBx HS 303215 S2B0	2660200092
	1GP		
SS 14404 SUS316L	OGP	KEBx HS 303215 S4B0	2660200131
	1GP		

Accessories

Mounting plate(3mm, ordered separately)			Order No.
	Zinc plated steel(SGCC)	KEB MOPL 3032 MSZN	2660200162
	SS 14301 SUS304	KEB MOPL 3032 S2	2660200196
	SS 14404 SUS316	KEB MOPL 3032 S4	2660200179

Mounting feet(ordered separately, 4pcs/set)			Order No.
	SS 14301 SUS304	KEB MOFT SMALL S2	2660200171
	Zinc plated steel(SGCC)	KEB MOFT SMALL MSZN	2660200205
	SS 14404 SUS316	KEB MOFT SMALL S4	2660200188

Terminals (with WDU series as reference)3032


Max. number of terminals(industry)	Vertially	Horizontally
	2.5 mm 2x50	2x54
	4 mm 2x40	2x44
	6 mm 2x30	2x32
	10 mm 2x24	2x24
	16 mm 1x10	1x11
	35 mm 1x3	1x5

Note :

Terminal blocks shall be assembled via TAS20 or on a mounting plate. Assembly with terminal blocks provides for 10 mm clearance to the ends of the mounting rail. Recommended order:

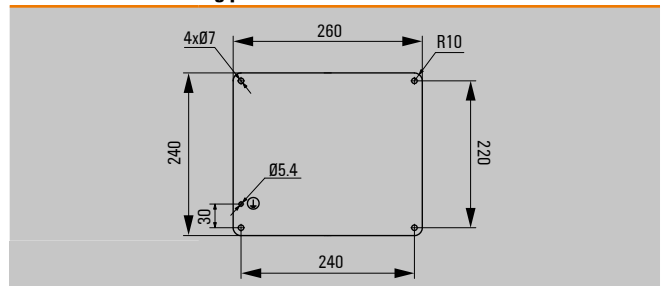
The number of terminals are calculated based on WDU\* dimensions, only for reference.

Number of cable entries (based on OGP version)

	A/B	C/D
	M20 12	10/12
	M25 10	8/10
	M32 4	3/4
	M40 3	2/3
	M50 3	1/2

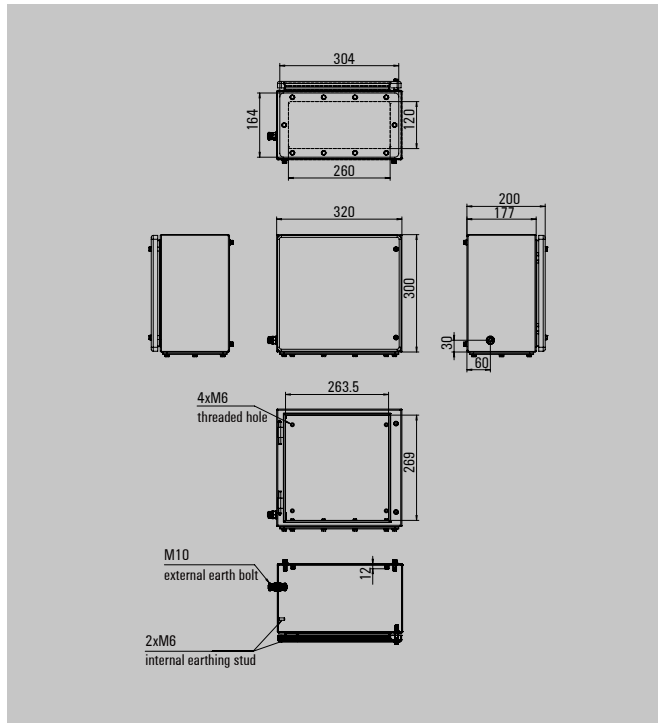
Note : the number of cable entries above, only serve as a reference when size selection.

Dimensions of mounting plate



Klippon® EBx QL 303220

Depth 200 mm



H x W x D(mm) 300 x 320 x 200

Order data

			Order No.
SS 14301 SUS304	OGP	KEBx HS 303220 S2B0	2660200093
	1GP	KEBx HS 303220 S2B1	2660200094
SS 14404 SUS316L	OGP	KEBx HS 303220 S4B0	2660200132
	1GP	KEBx HS 303220 S4B1	2660200133

Accessories

Mounting plate(3mm, ordered separately)			Order No.
	Zinc plated steel(SGCC)	KEB MOPL 3032 MSZN	2660200162
	SS 14301 SUS304	KEB MOPL 3032 S2	2660200196
	SS 14404 SUS316	KEB MOPL 3032 S4	2660200179
Mounting feet(ordered separately, 4pcs/set)			
	SS 14301 SUS304	KEB MOFT SMALL S2	2660200171
	Zinc plated steel(SGCC)	KEB MOFT SMALL MSZN	2660200205
	SS 14404 SUS316	KEB MOFT SMALL S4	2660200188
Gland plates			
		KEBx GP 303220 S2 t3	2660200221
		KEBx GP 303220 S4 t3	2660200235

Terminals (with WDU series as reference)3032

Max. number of terminals(industry)	Vertially	Horizontally
2.5 mm	2x50	2x54
4 mm	2x40	2x44
6 mm	2x30	2x32
10 mm	2x24	2x24
16 mm	1x10	1x11
35 mm	1x3	1x5

Note :

Terminal blocks shall be assembled via TAS20 or on a mounting plate  
 Assembly with terminal blocks provides for 10 mm clearance to the ends of the mounting rail.  
 Recommended order:

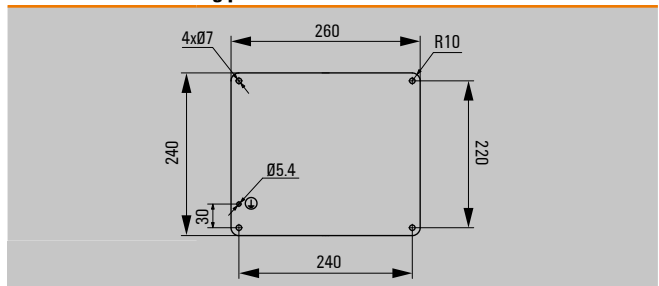
The number of terminals are calculated based on WDU\* dimensions, only for reference.

Number of cable entries (based on OGP version)

	A/B	C/D
	18	16/18
	15	13/15
	8	7/8
	6	5/6
	3	1/2

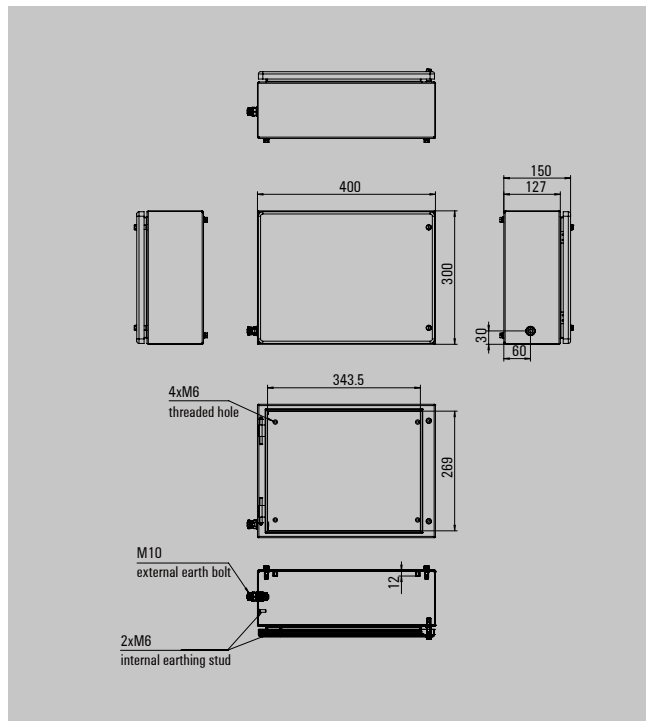
Note : the number of cable entries above, only serve as a reference when size selection.

Dimensions of mounting plate



Klippon® EBx HS 304015

Depth 150 mm





H x W x D(mm) 300 x 400 x 150

Order data


			Order No.
SS 14301 SUS304	OGP	KEBx HS 304015 S2B0	2660200095
	1GP		
SS 14404 SUS316L	OGP	KEBx HS 304015 S4B0	2660200134
	1GP		

Accessories

Mounting plate(3mm, ordered separately)			Order No.
	Zinc plated steel(SGCC)	KEB MOPL 3040 MSZN	2660200163
	SS 14301 SUS304	KEB MOPL 3040 S2	2660200197
	SS 14404 SUS316	KEB MOPL 3040 S4	2660200180

Mounting feet(ordered separately, 4pcs/set)			Order No.
	SS 14301 SUS304	KEB MOFT SMALL S2	2660200171
	Zinc plated steel(SGCC)	KEB MOFT SMALL MSZN	2660200205
	SS 14404 SUS316	KEB MOFT SMALL S4	2660200188

Terminals (with WDU series as reference)3040


Max. number of terminals(industry)	Vertially	Horizontally	
	2.5 mm	4x50	2x70
	4 mm	3x40	2x57
	6 mm	3x30	2x43
	10 mm	2x24	2x135
	16 mm	1x10	1x18
	35 mm	1x3	1x10

Note :

Terminal blocks shall be assembled via TAS20 or on a mounting plate. Assembly with terminal blocks provides for 10 mm clearance to the ends of the mounting rail. Recommended order:

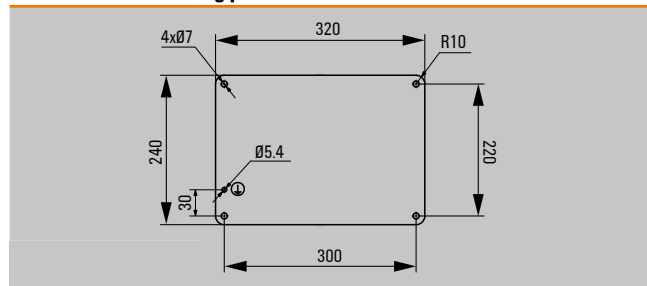
The number of terminals are calculated based on WDU\* dimensions, only for reference.

Number of cable entries (based on OGP version)

	A/B	C/D	
	M20	16	10/12
	M25	12	8/10
	M32	5	3/4
	M40	4	2/3
	M50	4	1/2

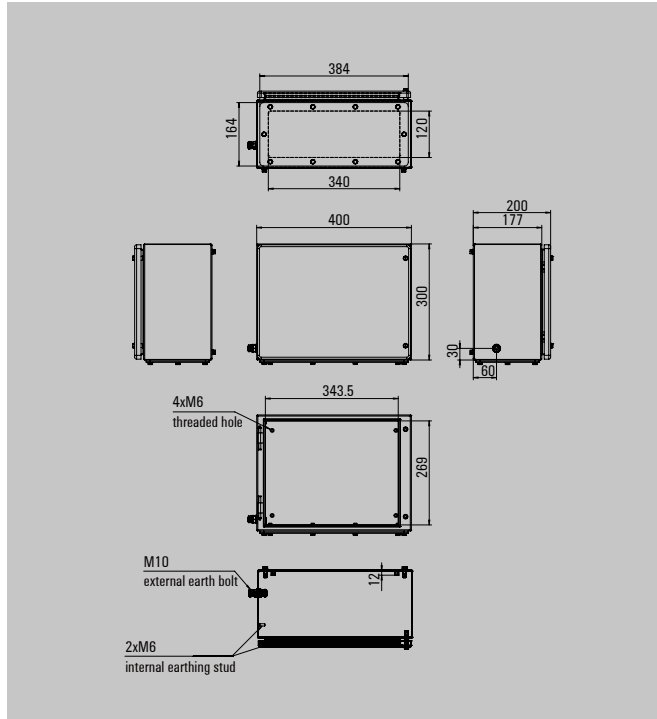
Note : the number of cable entries above, only serve as a reference when size selection.

Dimensions of mounting plate



Klippon® EBx HS 304020

Depth 200 mm



H x W x D(mm) 300 x 400 x 200

Order data

			Order No.
SS 14301 SUS304	OGP	KEBx HS 304020 S2B0	2660200096
	1GP	KEBx HS 304020 S2B1	2660200097
SS 14404 SUS316L	OGP	KEBx HS 304020 S4B0	2660200135
	1GP	KEBx HS 304020 S4B1	2660200136

Accessories

Mounting plate(3mm, ordered separately)			Order No.
	Zinc plated steel(SGCC)	KEB MOPL 3040 MSZN	2660200163
	SS 14301 SUS304	KEB MOPL 3040 S2	2660200197
	SS 14404 SUS316	KEB MOPL 3040 S4	2660200180
Mounting feet(ordered separately, 4pcs/set)			
	SS 14301 SUS304	KEB MOFT SMALL S2	2660200171
	Zinc plated steel(SGCC)	KEB MOFT SMALL MSZN	2660200205
	SS 14404 SUS316	KEB MOFT SMALL S4	2660200188
Gland plates			
		KEBx GP 304020 S2 t3	2660200222
		KEBx GP 304020 S4 t3	2660200236

Terminals (with WDU series as reference)3040

Max. number of terminals(industry)	Vertially	Horizontally
2.5 mm	4x50	2x70
4 mm	3x40	2x57
6 mm	3x30	2x43
10 mm	2x24	2x135
16 mm	1x10	1x18
35 mm	1x3	1x10



Note :

Terminal blocks shall be assembled via TAS20 or on a mounting plate  
 Assembly with terminal blocks provides for 10 mm clearance to the ends of the mounting rail.  
 Recommended order:

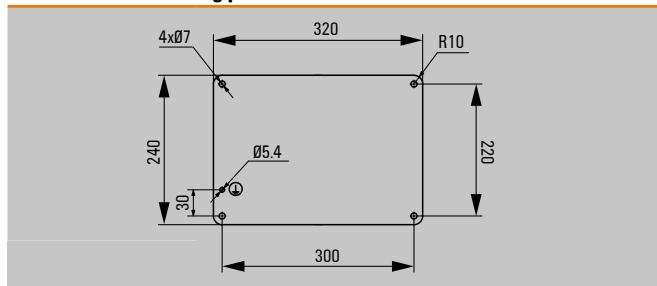
The number of terminals are calculated based on WDU\* dimensions, only for reference.

Number of cable entries (based on OGP version)

	A/B	C/D
	M20	24
	M25	18
	M32	10
	M40	8
	M50	4
		15/18
		12/15
		7/8
		5/6
		1/2

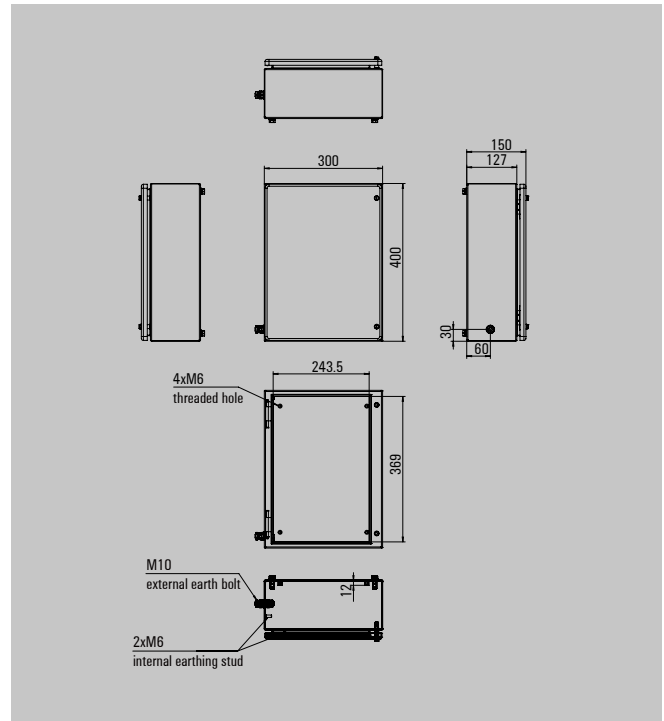
Note : the number of cable entries above, only serve as a reference when size selection.

Dimensions of mounting plate



Klippon® EBx HS 403015

Depth 150 mm





H x W x D(mm) 400 x 300 x 150


Order data

			Order No.
SS 14301 SUS304	OGP	KEBx HS 403015 S2B0	2660200098
	1GP		
SS 14404 SUS316L	OGP	KEBx HS 403015 S4B0	2660200137
	1GP		

Accessories

Mounting plate(3mm, ordered separately)			Order No.
	Zinc plated steel(SGCC)	KEB MOPL 4030 MSZN	2660200164
	SS 14301 SUS304	KEB MOPL 4030 S2	2660200198
	SS 14404 SUS316	KEB MOPL 4030 S4	2660200181
Mounting feet(ordered separately, 4pcs/set)			
	SS 14301 SUS304	KEB MOFT LARGE S2	2660200172
	Zinc plated steel(SGCC)	KEB MOFT LARGE MSZN	2660200206
	SS 14404 SUS316	KEB MOFT LARGE S4	2660200189

Terminals (with WDU series as reference)4030


Max. number of terminals(industry)	Vertially	Horizontally
	2.5 mm 2x70	4x50
	4 mm 2x57	3x40
	6 mm 2x43	3x30
	10 mm 2x135	2x24
	16 mm 1x18	1x10
	35 mm 1x10	1x3

Note :

Terminal blocks shall be assembled via TAS20 or on a mounting plate. Assembly with terminal blocks provides for 10 mm clearance to the ends of the mounting rail. Recommended order:

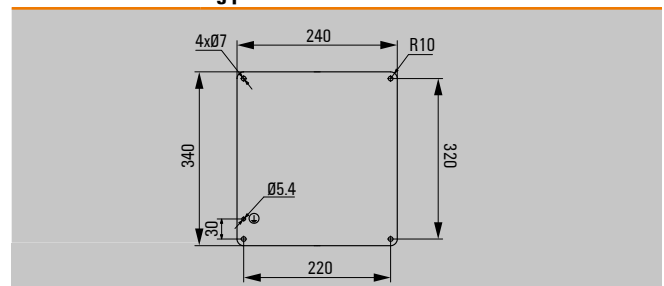
The number of terminals are calculated based on WDU\* dimensions, only for reference.

Number of cable entries (based on OGP version)

	A/B	C/D
	M20 12	14/16
	M25 10	10/12
	M32 4	4/5
	M40 3	3/4
	M50 2	3/4

Note : the number of cable entries above, only serve as a reference when size selection.

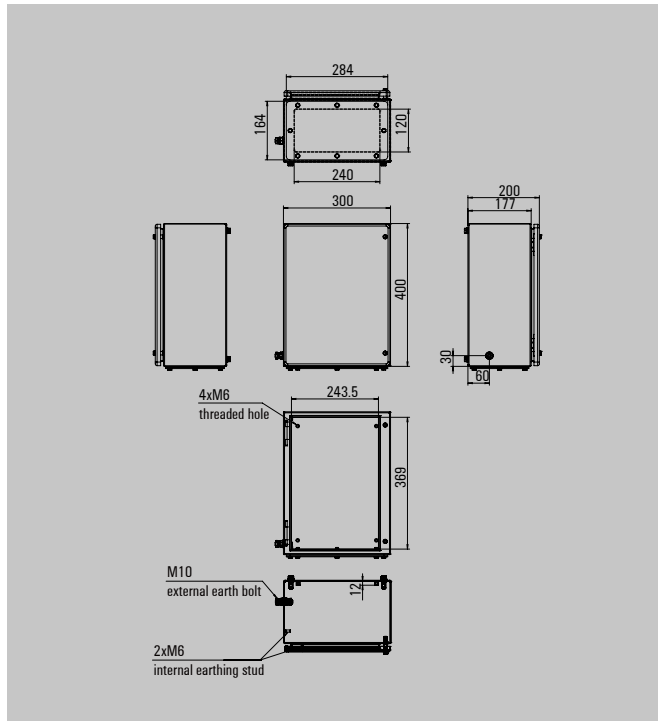
Dimensions of mounting plate





Klippon® EBx HS 403020

Depth 200 mm



H x W x D(mm) 400 x 300 x 200

Order data

			Order No.
SS 14301 SUS304	OGP	KEBx HS 403020 S2B0	2660200099
	1GP	KEBx HS 403020 S2B1	2660200100
SS 14404 SUS316L	OGP	KEBx HS 403020 S4B0	2660200138
	1GP	KEBx HS 403020 S4B1	2660200139

Accessories

Mounting plate(3mm, ordered separately)			Order No.
	Zinc plated steel(SGCC)	KEB MOPL 4030 MSZN	2660200164
	SS 14301 SUS304	KEB MOPL 4030 S2	2660200198
	SS 14404 SUS316	KEB MOPL 4030 S4	2660200181
Mounting feet(ordered separately, 4pcs/set)			
	SS 14301 SUS304	KEB MOFT LARGE S2	2660200172
	Zinc plated steel(SGCC)	KEB MOFT LARGE MSZN	2660200206
	SS 14404 SUS316	KEB MOFT LARGE S4	2660200189
Gland plates			
		KEBx GP 403020 S2 t3	2660200223
		KEBx GP 403020 S4 t3	2660200237

Terminals (with WDU series as reference)4030

Max. number of terminals(industry)	Vertially	Horizontally
2.5 mm	2x70	4x50
4 mm	2x57	3x40
6 mm	2x43	3x30
10 mm	2x135	2x24
16 mm	1x18	1x10
35 mm	1x10	1x3



Note :

Terminal blocks shall be assembled via TAS20 or on a mounting plate  
 Assembly with terminal blocks provides for 10 mm clearance to the ends of the mounting rail.  
 Recommended order:

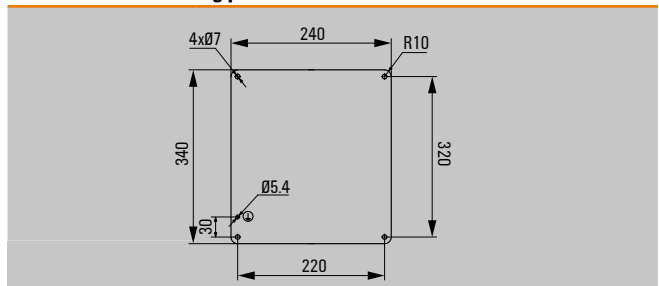
The number of terminals are calculated based on WDU\* dimensions, only for reference.

Number of cable entries (based on OGP version)

	A/B	C/D
	M20	18
	M25	15
	M32	8
	M40	6
	M50	2
		22/24
		15/18
		9/10
		7/8
		3/4

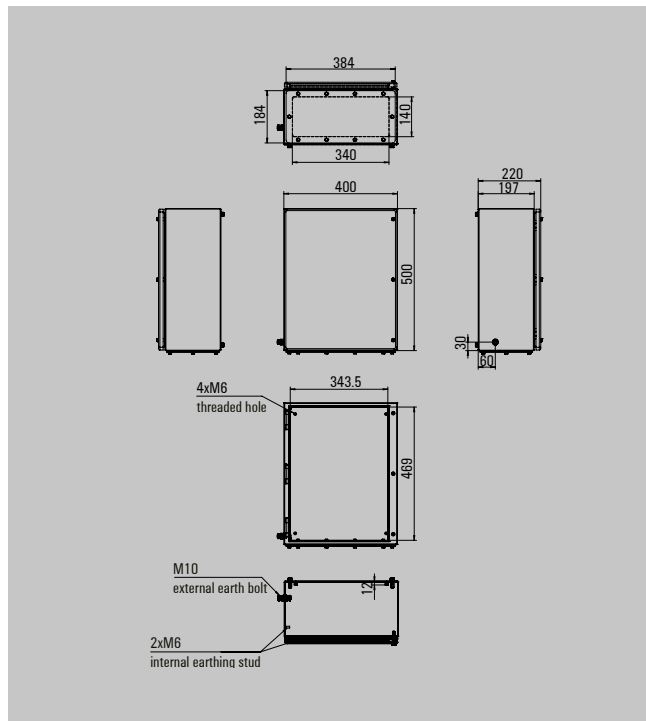
Note : the number of cable entries above, only serve as a reference when size selection.

Dimensions of mounting plate



Klippon® EBx HS 504022

Depth 220 mm



H x W x D(mm) 500 x 400 x 220

Order data

			Order No.
SS 14301 SUS304	OGP	KEBx HS 504022 S2B0	2660200101
	1GP	KEBx HS 504022 S2B1	2660200102
SS 14404 SUS316L	OGP	KEBx HS 504022 S4B0	2660200140
	1GP	KEBx HS 504022 S4B1	2660200141

Accessories

Mounting plate(3mm, ordered separately)			Order No.
	Zinc plated steel(SGCC)	KEB MOPL 5040 MSZN	2660200165
	SS 14301 SUS304	KEB MOPL 5040 S2	2660200199
	SS 14404 SUS316	KEB MOPL 5040 S4	2660200182

Mounting feet(ordered separately, 4pcs/set)			Order No.
	SS 14301 SUS304	KEB MOFT LARGE S2	2660200172
	Zinc plated steel(SGCC)	KEB MOFT LARGE MSZN	2660200206
	SS 14404 SUS316	KEB MOFT LARGE S4	2660200189

Gland plates			Order No.
		KEBx GP 504022 S2 t3	2660200226
		KEBx GP 504022 S4 t3	2660200240

Terminals (with WDU series as reference)5040

Max. number of terminals(industry)	Vertially	Horizontally	
	2.5 mm	4x90	5x70
	4 mm	3x73	4x57
	6 mm	3x55	4x43
	10 mm	2x46	3x35
	16 mm	1x26	2x18
	35 mm	1x16	1x10

Note :

Terminal blocks shall be assembled via TAS20 or on a mounting plate. Assembly with terminal blocks provides for 10 mm clearance to the ends of the mounting rail. Recommended order:

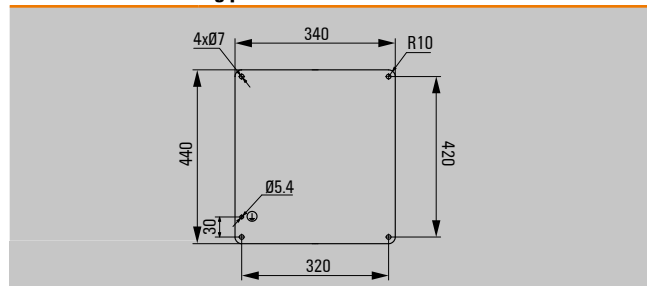
The number of terminals are calculated based on WDU\* dimensions, only for reference.

Number of cable entries (based on OGP version)

	A/B	C/D	
	M20	32	38/40
	M25	18	22/24
	M32	15	20/21
	M40	8	11/12
	M50	8	9/10

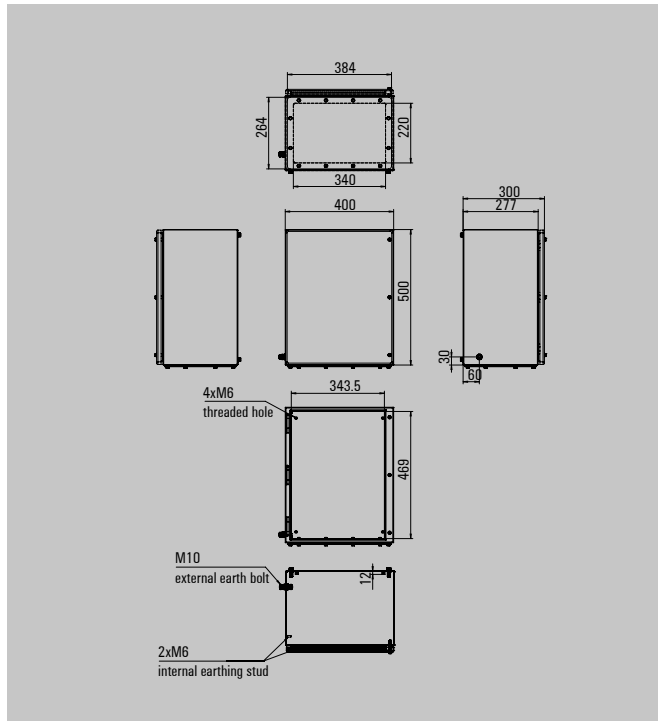
Note : the number of cable entries above, only serve as a reference when size selection.

Dimensions of mounting plate



Klippon® EBx HS 504030

Depth 300 mm



H x W x D(mm) 500 x 400 x 300

Order data

			Order No.
SS 14301 SUS304	OGP	KEBx HS 504030 S2B0	2660200103
	1GP	KEBx HS 504030 S2B1	2660200104
SS 14404 SUS316L	OGP	KEBx HS 504030 S4B0	2660200142
	1GP	KEBx HS 504030 S4B1	2660200143

Accessories

Mounting plate(3mm, ordered separately)			Order No.
	Zinc plated steel(SGCC)	KEB MOPL 5040 MSZN	2660200165
	SS 14301 SUS304	KEB MOPL 5040 S2	2660200199
	SS 14404 SUS316	KEB MOPL 5040 S4	2660200182
Mounting feet(ordered separately, 4pcs/set)			
	SS 14301 SUS304	KEB MOFT LARGE S2	2660200172
	Zinc plated steel(SGCC)	KEB MOFT LARGE MSZN	2660200206
	SS 14404 SUS316	KEB MOFT LARGE S4	2660200189
Gland plates			
		KEBx GP 504030 S2 t3	2660200227
		KEBx GP 504030 S4 t3	2660200241

Terminals (with WDU series as reference)5040

Max. number of terminals(industry)	Vertially	Horizontally
2.5 mm	4x90	5x70
4 mm	3x73	4x57
6 mm	3x55	4x43
10 mm	2x46	3x35
16 mm	1x26	2x18
35 mm	1x16	1x10



Note :

Terminal blocks shall be assembled via TAS20 or on a mounting plate  
 Assembly with terminal blocks provides for 10 mm clearance to the ends of the mounting rail.  
 Recommended order:

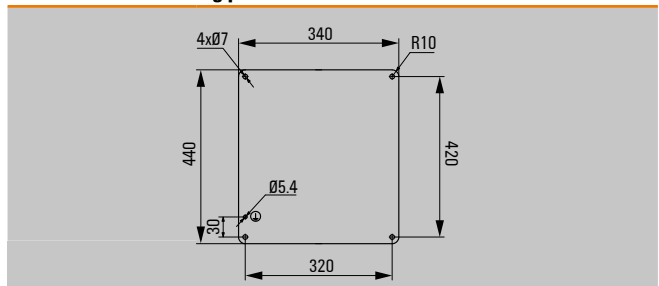
The number of terminals are calculated based on WDU\* dimensions, only for reference.

Number of cable entries (based on OGP version)

	A/B	C/D
	M20	48
	M25	30
	M32	20
	M40	12
	M50	12

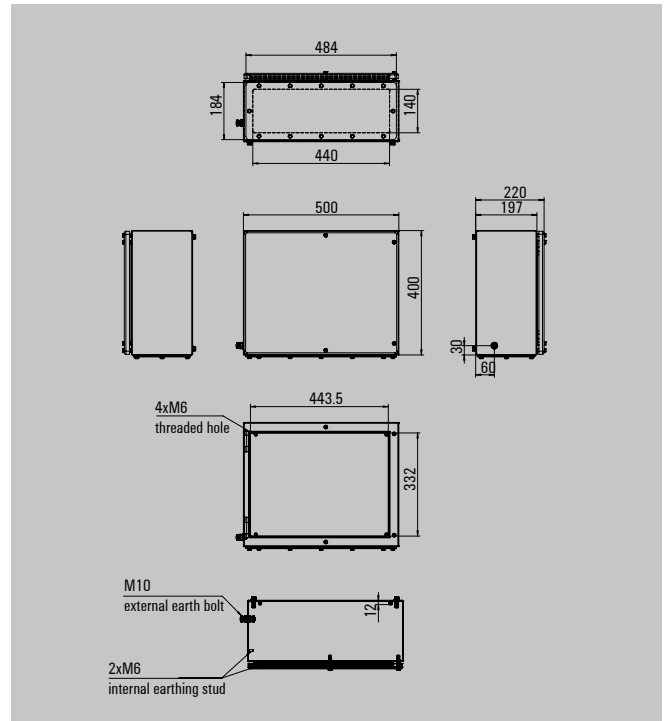
Note : the number of cable entries above, only serve as a reference when size selection.

Dimensions of mounting plate



Klippon® EBx HS 405022

Depth 220 mm



H x W x D(mm) 400 x 500 x 220

Order data

			Order No.
SS 14301 SUS304	OGP	KEBx HS 405022 S2B0	2660200105
	1GP	KEBx HS 405022 S2B1	2660200106
SS 14404 SUS316L	OGP	KEBx HS 405022 S4B0	2660200144
	1GP	KEBx HS 405022 S4B1	2660200145

Accessories

Mounting plate(3mm, ordered separately)			Order No.
	Zinc plated steel(SGCC)	KEB MOPL 4050 MSZN	2660200166
	SS 14301 SUS304	KEB MOPL 4050 S2	2660200200
	SS 14404 SUS316	KEB MOPL 4050 S4	2660200183

Mounting feet(ordered separately, 4pcs/set)			Order No.
	SS 14301 SUS304	KEB MOFT LARGE S2	2660200172
	Zinc plated steel(SGCC)	KEB MOFT LARGE MSZN	2660200206
	SS 14404 SUS316	KEB MOFT LARGE S4	2660200189

Gland plates			Order No.
		KEBx GP 405022 S2 t3	2660200224
		KEBx GP 405022 S4 t3	2660200238

Terminals (with WDU series as reference)4050

Max. number of terminals(industry)	Vertially	Horizontally	
	2.5 mm	5x70	4x90
	4 mm	4x57	3x73
	6 mm	4x43	3x55
	10 mm	3x35	2x46
	16 mm	2x18	1x26
	35 mm	1x10	1x16

Note :

Terminal blocks shall be assembled via TAS20 or on a mounting plate. Assembly with terminal blocks provides for 10 mm clearance to the ends of the mounting rail. Recommended order:

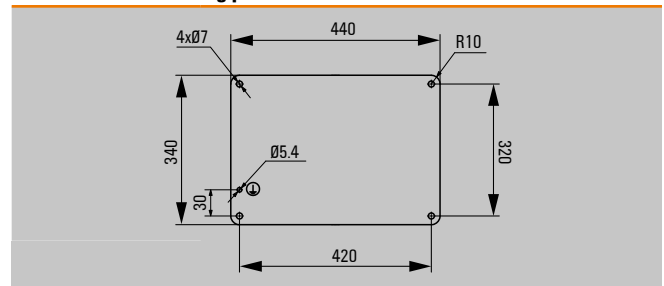
The number of terminals are calculated based on WDU\* dimensions, only for reference.

Number of cable entries (based on OGP version)

	A/B	C/D	
	M20	40	30/32
	M25	24	16/18
	M32	21	14/15
	M40	12	7/8
	M50	10	7/8

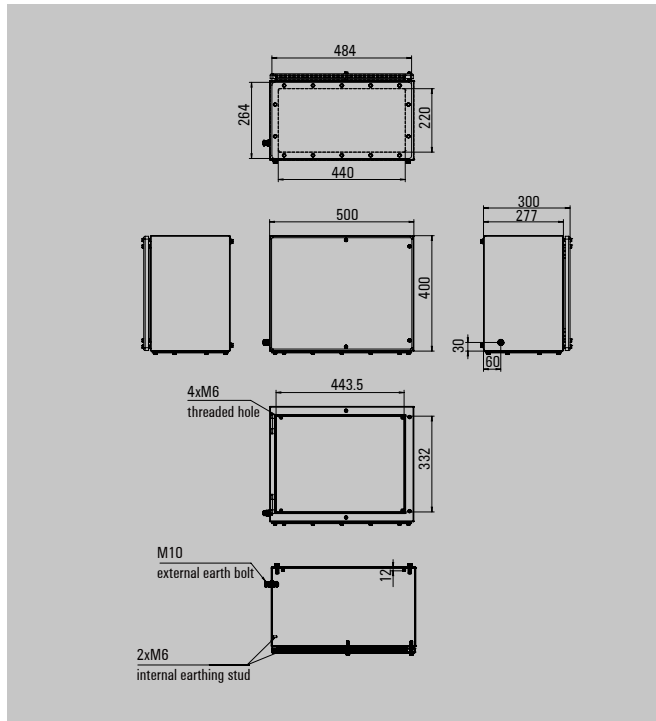
Note : the number of cable entries above, only serve as a reference when size selection.

Dimensions of mounting plate



Klippon® EBx HS 405030

Depth 300 mm





H x W x D(mm) 400 x 500 x 300


Order data

			Order No.
SS 14301 SUS304	OGP	KEBx HS 405030 S2B0	2660200107
	1GP	KEBx HS 405030 S2B1	2660200108
SS 14404 SUS316L	OGP	KEBx HS 405030 S4B0	2660200146
	1GP	KEBx HS 405030 S4B1	2660200147


Accessories

Mounting plate(3mm, ordered separately)			Order No.
	Zinc plated steel(SGCC)	KEB MOPL 4050 MSZN	2660200166
	SS 14301 SUS304	KEB MOPL 4050 S2	2660200200
	SS 14404 SUS316	KEB MOPL 4050 S4	2660200183

Mounting feet(ordered separately, 4pcs/set)			Order No.
	SS 14301 SUS304	KEB MOFT LARGE S2	2660200172
	Zinc plated steel(SGCC)	KEB MOFT LARGE MSZN	2660200206
	SS 14404 SUS316	KEB MOFT LARGE S4	2660200189

Gland plates			Order No.
		KEBx GP 405030 S2 t3	2660200225
		KEBx GP 405030 S4 t3	2660200239

Terminals (with WDU series as reference)4050


Max. number of terminals(industry)	Vertially	Horizontally	
	2.5 mm	5x70	4x90
	4 mm	4x57	3x73
	6 mm	4x43	3x55
	10 mm	3x35	2x46
	16 mm	2x18	1x26
	35 mm	1x10	1x16

Note :

Terminal blocks shall be assembled via TAS20 or on a mounting plate  
 Assembly with terminal blocks provides for 10 mm clearance to the ends of the mounting rail.  
 Recommended order:

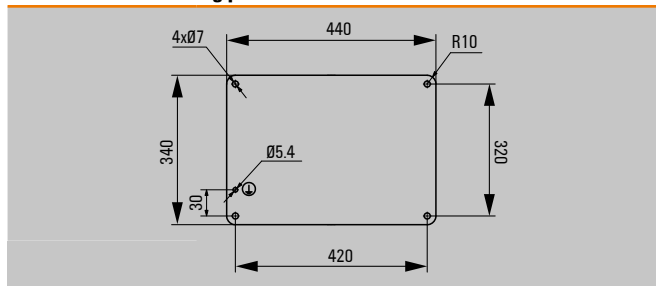
The number of terminals are calculated based on WDU\* dimensions, only for reference.

Number of cable entries (based on OGP version)

	A/B	C/D	
	M20	60	46/48
	M25	40	28/30
	M32	28	19/20
	M40	18	10/12
	M50	15	10/12

Note : the number of cable entries above, only serve as a reference when size selection.

Dimensions of mounting plate



Klippon® EBx HS 604022

Depth 220 mm





H x W x D(mm) 600 x 400 x 220

Order data

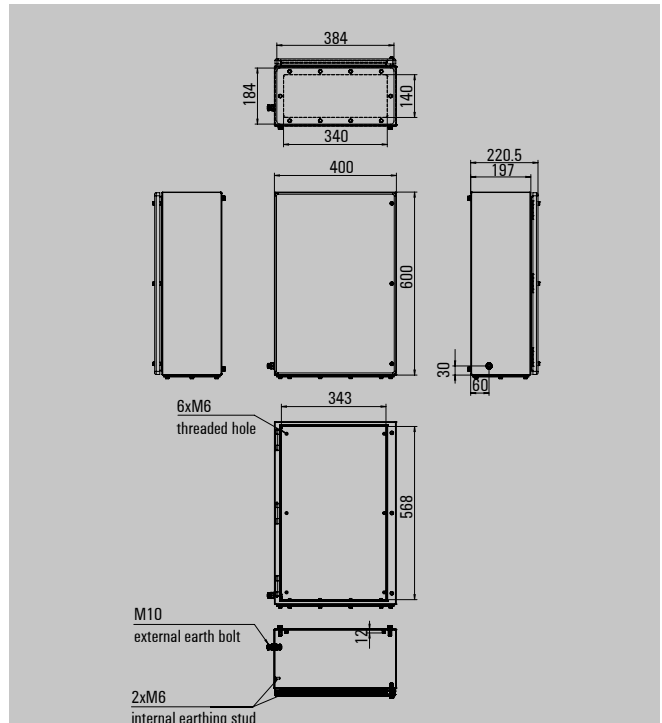
			Order No.
SS 14301 SUS304	OGP	KEBx HS 604022 S2B0	2660200109
	1GP	KEBx HS 604022 S2B1	2660200110
SS 14404 SUS316L	OGP	KEBx HS 604022 S4B0	2660200148
	1GP	KEBx HS 604022 S4B1	2660200149

Accessories


Mounting plate(3mm, ordered separately)			Order No.
	Zinc plated steel(SGCC)	KEB MOPL 6040 MSZN	2660200167
	SS 14301 SUS304	KEB MOPL 6040 S2	2660200201
	SS 14404 SUS316	KEB MOPL 6040 S4	2660200184

Mounting feet(ordered separately, 4pcs/set)			Order No.
	SS 14301 SUS304	KEB MOFT LARGE S2	2660200172
	Zinc plated steel(SGCC)	KEB MOFT LARGE MSZN	2660200206
	SS 14404 SUS316	KEB MOFT LARGE S4	2660200189

Gland plates			Order No.
		KEBx GP 604022 S2 t3	2660200228
		KEBx GP 604022 S4 t3	2660200242



Terminals (with WDU series as reference)6040


Max. number of terminals(industry)	Vertially	Horizontally	
	2.5 mm	4x109	6x70
	4 mm	3x90	5x57
	6 mm	3x68	5x43
	10 mm	2x57	4x35
	16 mm	1x35	2x18
	35 mm	1x22	2x10

Note :

Terminal blocks shall be assembled via TAS20 or on a mounting plate. Assembly with terminal blocks provides for 10 mm clearance to the ends of the mounting rail. Recommended order:

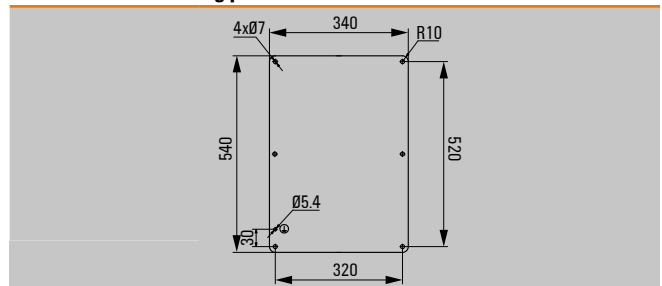
The number of terminals are calculated based on WDU\* dimensions, only for reference.

Number of cable entries (based on OGP version)

	A/B	C/D	
	M20	32	46/48
	M25	18	28/30
	M32	15	23/24
	M40	8	12/14
	M50	8	10/12

Note : the number of cable entries above, only serve as a reference when size selection.

Dimensions of mounting plate

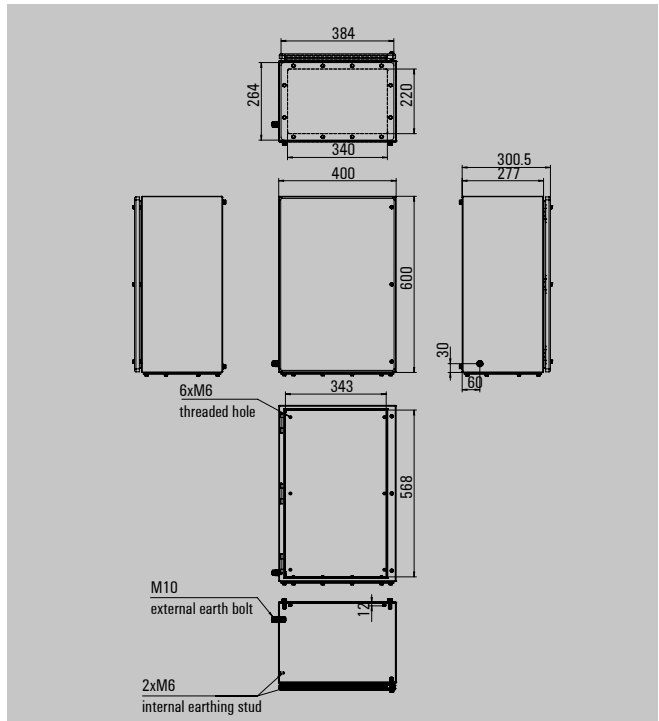


Stainless steel Enclosure

B

Klippon® EBx HS 604030

Depth 300 mm






H x W x D(mm) 600 x 400 x 300

Order data

			Order No.
SS 14301 SUS304	OGP	KEBx HS 604030 S2B0	2660200111
	1GP	KEBx HS 604030 S2B1	2660200112
SS 14404 SUS316L	OGP	KEBx HS 604030 S4B0	2660200150
	1GP	KEBx HS 604030 S4B1	2660200151

Accessories

Mounting plate(3mm, ordered separately)			Order No.
	Zinc plated steel(SGCC)	KEB MOPL 6040 MSZN	2660200167
	SS 14301 SUS304	KEB MOPL 6040 S2	2660200201
	SS 14404 SUS316	KEB MOPL 6040 S4	2660200184
Mounting feet(ordered separately, 4pcs/set)			
	SS 14301 SUS304	KEB MOFT LARGE S2	2660200172
	Zinc plated steel(SGCC)	KEB MOFT LARGE MSZN	2660200206
	SS 14404 SUS316	KEB MOFT LARGE S4	2660200189
Gland plates			
		KEBx GP 604030 S2 t3	2660200229
		KEBx GP 604030 S4 t3	2660200243

Terminals (with WDU series as reference)6040

Max. number of terminals(industry)	Vertially	Horizontally
2.5 mm	4x109	6x70
4 mm	3x90	5x57
6 mm	3x68	5x43
10 mm	2x57	4x35
16 mm	1x35	2x18
35 mm	1x22	2x10



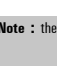




Note :

Terminal blocks shall be assembled via TAS20 or on a mounting plate  
 Assembly with terminal blocks provides for 10 mm clearance to the ends of the mounting rail.  
 Recommended order:

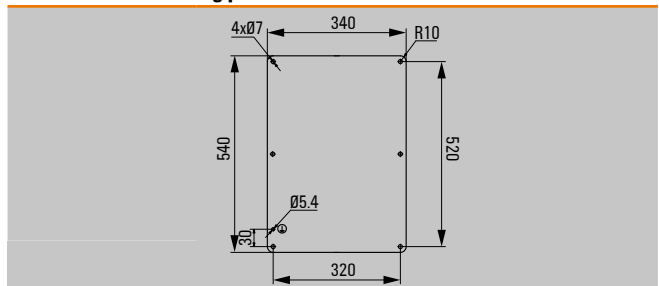
The number of terminals are calculated based on WDU\* dimensions, only for reference.

Number of cable entries (based on OGP version)

	A/B	C/D
	M20	48
	M25	30
	M32	20
	M40	12
	M50	12

Note : the number of cable entries above, only serve as a reference when size selection.

Dimensions of mounting plate



Klippon® EBx HS 806030

Depth **300 mm**





H x W x D(mm) 800 x 600 x 300


**Order data**

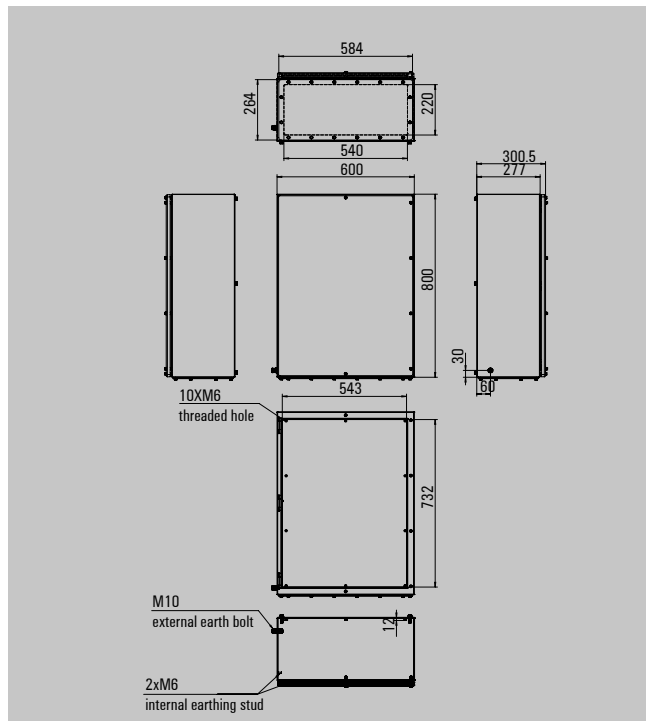
			Order No.
SS 14301 SUS304	OGP	KEBx HS 806030 S2B0	<b>2660200113</b>
	1GP	KEBx HS 806030 S2B1	<b>2660200114</b>
SS 14404 SUS316L	OGP	KEBx HS 806030 S4B0	<b>2660200152</b>
	1GP	KEBx HS 806030 S4B1	<b>2660200153</b>

**Accessories**


<b>Mounting plate(3mm, ordered separately)</b>			Order No.
	Zinc plated steel(SGCC)	KEB MOPL 8060 MSZN	<b>2660200168</b>
	SS 14301 SUS304	KEB MOPL 8060 S2	<b>2660200202</b>
	SS 14404 SUS316	KEB MOPL 8060 S4	<b>2660200185</b>

<b>Mounting feet(ordered separately, 6pcs/set)</b>			Order No.
	SS 14301 SUS304	KEB MOFT LARGE S2(6PCS)	<b>2660200245</b>
	Zinc plated steel(SGCC)	KEB MOFT LARGE MSZN(6PCS)	<b>2660200247</b>
	SS 14404 SUS316	KEB MOFT LARGE S4(6PCS)	<b>2660200246</b>

<b>Gland plates</b>			Order No.
		KEBx GP 806030 S2 t3	<b>2660200230</b>
		KEBx GP 806030 S4 t3	<b>2660200244</b>



**Terminals (with WDU series as reference)8060**


Max. number of terminals(industry)	Vertially	Horizontally	
	2.5 mm	6x149	8x109
	4 mm	5x122	7x90
	6 mm	5x93	6x68
	10 mm	4x72	5x57
	16 mm	2x52	3x35
	35 mm	2x35	3x22

**Note :**

Terminal blocks shall be assembled via TAS20 or on a mounting plate. Assembly with terminal blocks provides for 10 mm clearance to the ends of the mounting rail. Recommended order:

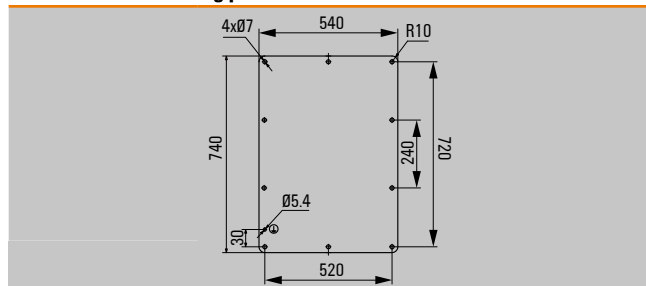
The number of terminals are calculated based on WDU\* dimensions, only for reference.

**Number of cable entries (based on OGP version)**

	A/B	C/D	
	M20	72	100/102
	M25	50	68/70
	M32	32	46/48
	M40	21	25/27
	M50	18	22/24

**Note :** the number of cable entries above, only serve as a reference when size selection.

**Dimensions of mounting plate**



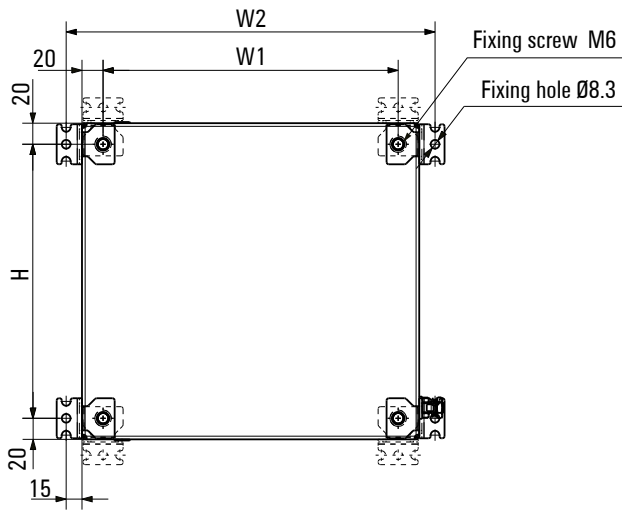


KEBx enclosures can be mounted directly via threaded holes on back, or via additional Mounting feet.

Length of bolts should be selected based on the thickness of mounting shelves on site.

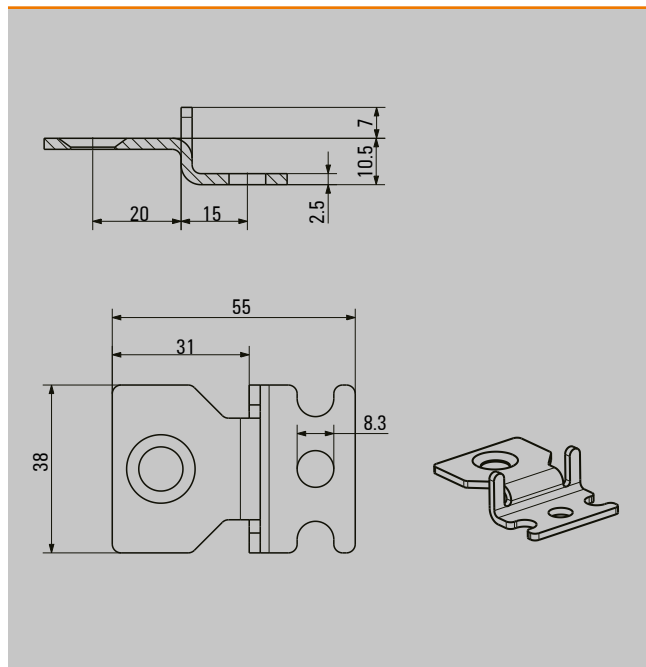
Mounting feet are provided as separate accessories, needed to order additionally.

**KEBx dimensions of installation(1)**




Below listed sizes of enclosure, "SMALL" mounting feet are optional accessories for installation.

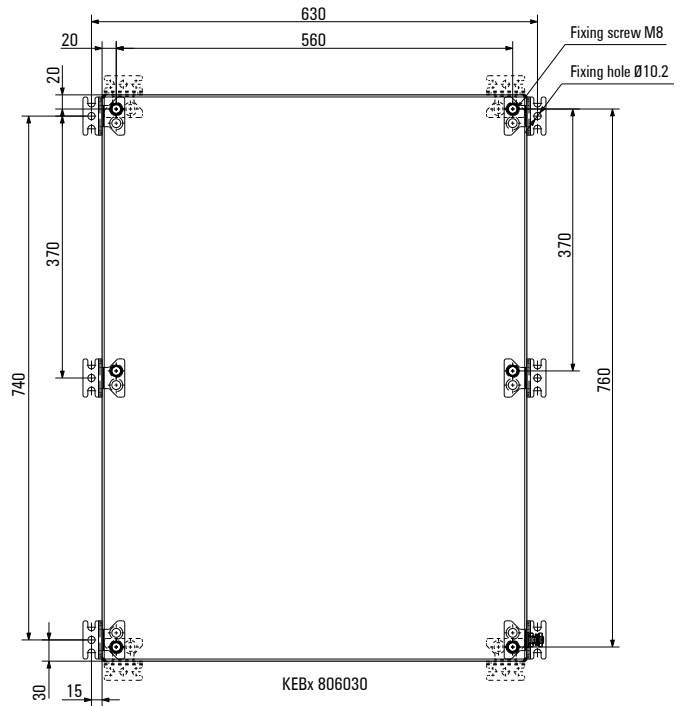
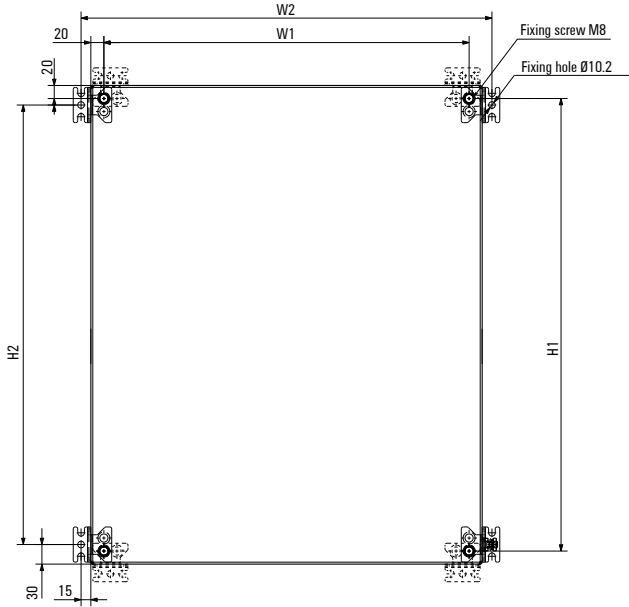
		H(mm)	W1	W2
KEBx 202015	200 x 200 x 150	160	160	230
KEBx 202615	200 x 260 x 150	160	220	290
KEBx 203015	200 x 300 x 150	160	260	330
KEBx 203020	200 x 300 x 200	160	260	330
KEBx 262615	260 x 260 x 150	220	220	290
KEBx 262620	260 x 260 x 200	220	220	290
KEBx 263015	260 x 300 x 150	220	260	330
KEBx 263020	260 x 300 x 200	220	260	330
KEBx 302615	300 x 260 x 150	260	220	290
KEBx 302620	300 x 260 x 200	260	220	290
KEBx 303215	300 x 320 x 150	260	280	350
KEBx 303220	300 x 320 x 200	260	280	350
KEBx 304015	300 x 400 x 150	260	360	430
KEBx 304020	300 x 400 x 200	260	360	430
KEBx 383021	380 x 300 x 210	340	260	330
KEBx 383821	380 x 380 x 210	340	340	410



**Accessories**

Mounting feet(ordered separately, 4pcs/set)		Order No.	
	SS 14301 SUS304	KEB MOFT SMALL S2	2660200171
	Zinc plated steel(SGCC)	KEB MOFT SMALL MSZN	2660200205
	SS 14404 SUS316	KEB MOFT SMALL S4	2660200188

### KEBx dimensions of installation(2)



Below listed sizes of enclosure, "LARGE" mounting feet are optional accessories for installation.

		H1	W1	H2	W2
KEBx 403015	400 x 300 x 150	360	260	340	330
KEBx 403020	400 x 300 x 200	360	260	340	330
KEBx 504022	500 x 400 x 220	360	460	340	530
KEBx 504030	500 x 400 x 300	360	460	340	530
KEBx 405022	400 x 500 x 220	460	360	440	430
KEBx 405030	400 x 500 x 300	460	360	440	430
KEBx 604022	600 x 400 x 220	560	360	540	430
KEBx 604030	600 x 400 x 300	560	360	540	430

### Accessories

Mounting feet(ordered separately, 4pcs/set)			Order No.
	SS 14301 SUS304	KEB MOFT LARGE S2	<b>2660200172</b>
	Zinc plated steel(SGCC)	KEB MOFT LARGE MSZN	<b>2660200206</b>
	SS 14404 SUS316	KEB MOFT LARGE S4	<b>2660200189</b>

### Accessories(For enclosure KEB806030 only)

Mounting feet(ordered separately, 6pcs/set)			Order No.
	SS 14301 SUS304	KEB MOFT LARGE S2(6PCS)	<b>2660200245</b>
	Zinc plated steel(SGCC)	KEB MOFT LARGE MSZN(6PCS)	<b>2660200247</b>
	SS 14404 SUS316	KEB MOFT LARGE S4(6PCS)	<b>2660200246</b>

