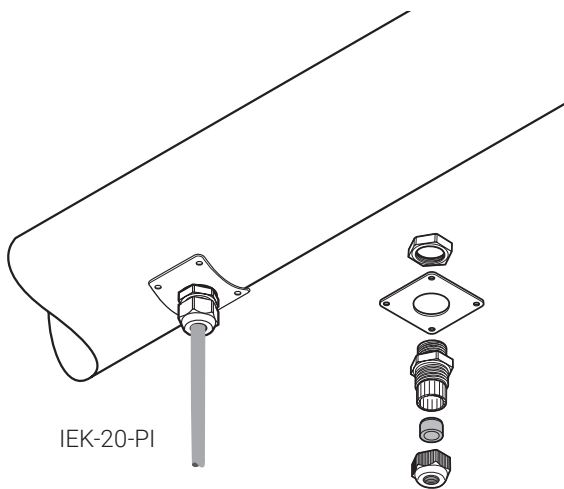


Insulation entry kit

PRODUCT OVERVIEW



Insulation entry kits are designed to protect cables when passing through the thermal insulation cladding.

The nVent RAYCHEM IEK-20-PI is suited for PI heating cables as well as for power cables.

Insulation entry kits may be used in hazardous and non hazardous areas.

The gland and the grommet included in the kit provide strain relief and environmental sealing to avoid water ingress in the insulation. They contain a stainless steel plate which can be screwed to the cladding. Insulation entry kits can be used for installations on pipes, tanks and vessels etc.

Application

Two-pack insulation entry kit for pipes, tanks and vessels. Usable for all types of PI cold leads as well as all other round cables with an outer diameter in the range of 5 to 13 mm. Kit contains 2 pc.

Kit contents

- 2 x stainless steel fixing plates
- 2 x plastic glands (M20) with round hole grommet for power- or cold lead cables
- 2 x locknuts

PRODUCT SPECIFICATIONS

Dimensions

Plate 60 x 60 mm (22 SWG)

Technical Details

Max. exposure temp. gland 80°C

APPROVALS

For use in ordinary area

Product certification



ORDERING INFORMATION

Part number (Weight) 1244-000689 (0.08 kg)

North America

Tel +1.800.545.6258
Fax +1.800.527.5703
thermal.info@nVent.com

Europe, Middle East, Africa

Tel +32.16.213.502
Fax +32.16.213.604
thermal.info@nVent.com

Asia Pacific

Tel +86.21.2412.1688
Fax +86.21.5426.3167
cn.thermal.info@nVent.com

Latin America

Tel +1.713.868.4800
Fax +1.713.868.2333
thermal.info@nVent.com



Our powerful portfolio of brands:

CADDY ERICO HOFFMAN RAYCHEM SCHROFF TRACER