

SPARTAN SPX Linear LED Zone 1/21 Linear Luminaire

rayTEC®



Modular Design

Key components such as the LED and PSU modules are easily accessible for straightforward maintenance and inspection.



Intelligent Emergency

Self-testing emergency battery providing up to 3 hours emergency back-up.



Retrofitable

Linear has been designed with the same dimensions, fixing centres and cable entries as traditional fluorescent fittings making it a direct replacement.



Bespoke LED

Raytec are specialists in LEDs and all our products are designed around LEDs with bespoke housing for optimum performance and reliability.

5 YEAR WARRANTY

All Raytec luminaires are provided with an industry leading 5 year warranty and have an expected useful life in excess of 10 years. See Warranty Statement for details.



Technical Specifications - Core Products

SPARTAN Linear WL84



SPARTAN Linear WL168



Certification

| | |
|-----------------------|--|
| ATEX Rating | ATEX UKEX and IEC Ex rated for Gas and Dust |
| Hazardous Area Rating | Zone 1 (Gas), Zone 21(Dust) |
| Certificates | CML14ATEX3119 & IECExCML15.0001 & CML21UKEX3105 |
| Gas | II 2 G D Ex eb mb IIC T4 Gb Ta= -40°C to +60°C (-20°C to +50°C for emergency variants) (T6 variants also available - contact Raytec) |
| Dust | Ex tb IIIC T80°C Db Ta= -40°C to +60°C (-20°C to +50°C for emergency variants) |
| ABS Certificate # | ABS Certificate # 20-1990083-PDA |

Electrical

| | WL84 | WL84 Emergency | WL168 | WL168 Emergency |
|---------------|--|--------------------------|---|--------------------------|
| Input | Standard: 110-254Vac 50/60Hz 110-254Vdc * Low voltage version: 18-48V AC and 18-69V DC Extra low voltage version: 12V AC/DC | 110-254V 50/60Hz AC only | Standard: 110-254Vac 50/60Hz 110-254Vdc * Low voltage version: 18-48V AC and 18-69V DC Extra low voltage version: 12V AC/DC | 110-254V 50/60Hz AC only |
| Power | 24W | 32W | 49W | 56W |
| Termination | Incoming terminal block suitable for looping 4 core 4mm ² cable (6mm ² available - POA) | | | |
| Power Factor | >0.95 | >0.95 | >0.95 | >0.95 |
| Cable Entries | 2xM20 cable entries at both ends, through wired as standard (other entries available upon request), dispatched complete with three ATEX/IEC Ex/UKEX approved blanking plugs | | | |

*T6 variant is AC Only.

Optical

| | WL84 | WL84 Emergency | WL168 | WL168 Emergency |
|-----------------------|-------------------------|-------------------------|-------------------------|-------------------------|
| Lumen output on mains | 3065 | 3065 | 6130 | 6130 |
| LED type | Platinum Elite SMT LEDs | Platinum Elite SMT LEDs | Platinum Elite SMT LEDs | Platinum Elite SMT LEDs |
| Number of LEDs | 80 | 80 | 160 | 160 |
| CRI | 80+ | 80+ | 80+ | 80+ |
| Colour Temperature | 6500K standard | 6500K standard | 6500K standard | 6500K standard |

Mechanical

| | WL84 | WL84 Emergency | WL168 | WL168 Emergency |
|-------------------|----------------|-----------------|----------------|-----------------|
| Burning Position | Universal | Universal | Universal | Universal |
| IP Rating | IP66 & IP67 | IP66 & IP67 | IP66 & IP67 | IP66 & IP67 |
| IK Rating | IK10 | IK10 | IK10 | IK10 |
| Temperature Range | -40°C to +60°C | -20°C to + 50°C | -40°C to +60°C | -20°C to + 50°C |
| Weight | 6kg (13.2lbs) | 7kg (15.4lbs) | 9kg (19.8lbs) | 10kg (22lbs) |

Technical Specifications - Core Products

| Mechanical | WL84 | WL84 Emergency | WL168 | WL168 Emergency |
|---------------------------|---|--|-------------------|--|
| Enclosure | Marine grade aluminium epoxy powder coated, UV stabilised polycarbonate, all external fasteners and brackets are marine grade stainless steel | | | |
| Unit Colour | Silver (RAL 9006) | Silver (RAL 9006) Red (RAL3024) - Emergency battery cover | Silver (RAL 9006) | Silver (RAL 9006) Red (RAL3024) - Emergency battery cover |
| Installation instructions | Please see document 0920-D-00042 at www.rayteclcd.com | | | |
| Battery Care | Please see document 0010-D-00001 at www.rayteclcd.com | | | |
| Dimensions | See dimensional sketches | | | |
| Mounting | Via M8/M6 tapped holes. Various mounting arrangements available (please see product overview guide) | | | |

| Intelligent Emergency | WL84 Emergency | WL168 Emergency |
|-------------------------|---|---|
| Function | Self-testing intelligent emergency | Self-testing intelligent emergency |
| System health indicator | Tri-colour LED indicator | Tri-colour LED indicator |
| Emergency Duration | Up to 3hrs @ 25% power Other options available | Up to 3hrs @ 25% power Other options available |
| Emergency Battery | Ni/Cd 12V | Ni/Cd 12V |
| Emergency Charge Time | 20 hours | 20 hours |

Technical Specifications - SPARTAN Linear Essential

SPARTAN Linear WL84-LL



SPARTAN Linear WL168-LL



Certification

| | |
|-----------------------|---|
| ATEX Rating | ATEX UKEX and IEC Ex rated for Gas and Dust |
| Hazardous Area Rating | Zone 1 (Gas), Zone 21(Dust) |
| Certificates | CML14ATEX3119 & IECExCML15.0001 & CML21UKEX3105 |
| Gas | II 2 G D Ex eb mb IIC T4 Gb Ta= -40°C to +60°C (T6 variants also available - contact Raytec) |
| Dust | Ex IIIC T80°C Db Ta= -40°C to +60°C |
| ABS Certificate # | ABS Certificate # 20-1990083-PDA |

Electrical

| | WL84-LL | WL168-LL |
|---------------|--|------------------------------------|
| Input | Standard: 110-254Vac 50/60Hz 110-254Vdc * Low voltage version: 18-48V AC and 18-69V DC Extra low voltage version: 12V AC/DC | 110-254Vac 50/60Hz 110-254Vdc * |
| Power | 24W | 49W |
| Termination | Incoming terminal block suitable for looping 4 core 4mm ² cable (6mm ² available - POA) | |
| Power Factor | >0.95 | |
| Cable Entries | 2xM20 cable entries at one end. Loop in loop out as standard (other entries available upon request), dispatched complete with one ATEX/UKEX/IEC Ex approved blanking plugs | |

*T6 variant is AC Only.

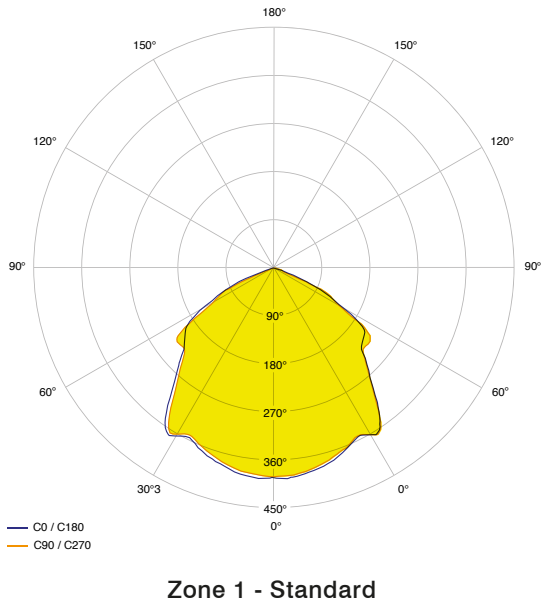
Optical

| | WL84-LL | WL168-LL |
|-----------------------|-------------------------|----------|
| Lumen output on mains | 3065 | 6130 |
| LED type | Platinum Elite SMT LEDs | |
| Number of LEDs | 80 | 160 |
| CRI | 80+ | |
| Colour Temperature | 6500K standard | |

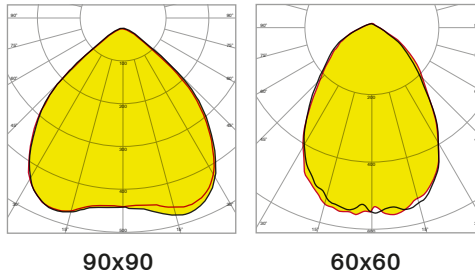
Mechanical

| | WL84-LL | WL168-LL |
|---------------------------|---|-------------------|
| Burning Position | Universal | |
| IP Rating | IP66 & IP67 | |
| IK Rating | IK10 | |
| Temperature Range | -40°C to +60°C | |
| Weight | 6kg (13.2lbs) | 9kg (19.8lbs) |
| Enclosure | Marine grade aluminium epoxy powder coated, UV stabilised polycarbonate, all external fasteners and brackets are marine grade stainless steel | |
| Unit Colour | Silver (RAL 9006) | Silver (RAL 9006) |
| Installation instructions | Please see document 920-D-0042 at www.rayteclcd.com | |
| Dimensions | See dimensional sketches | |
| Mounting | Via M8/M6 tapped holes. Various mounting arrangements available (please see product overview guide) | |

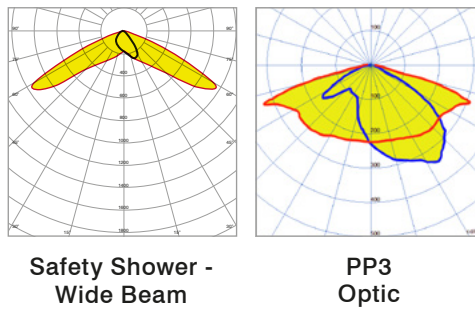
Light Distribution



Symmetrical Optics

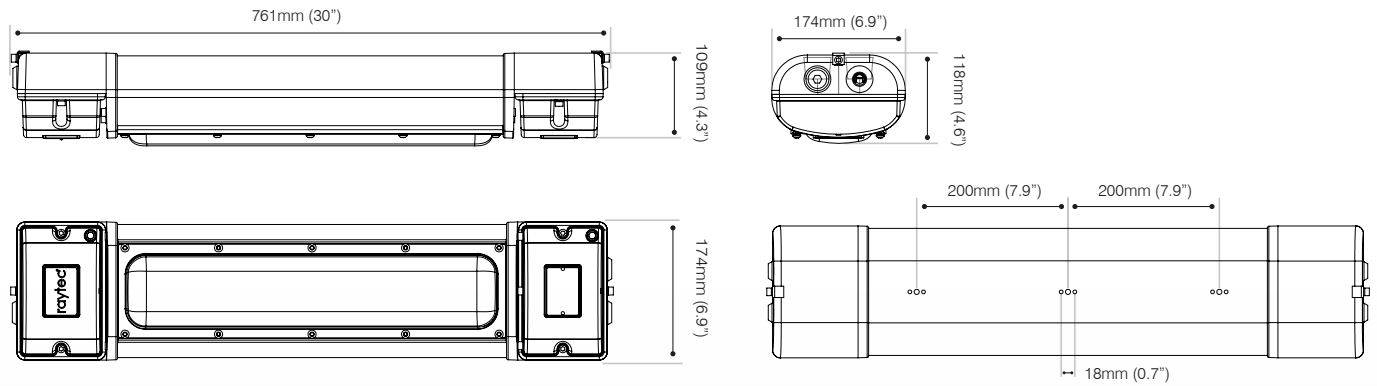


Asymmetrical Optics

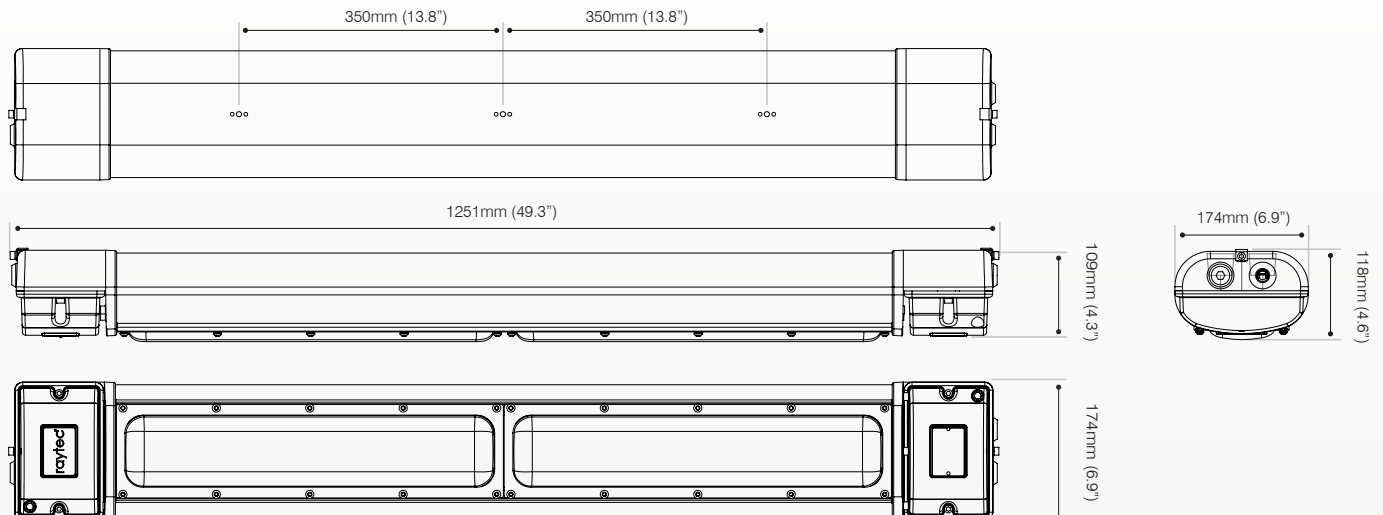


Product Dimensions

WL84, WL84 Emergency

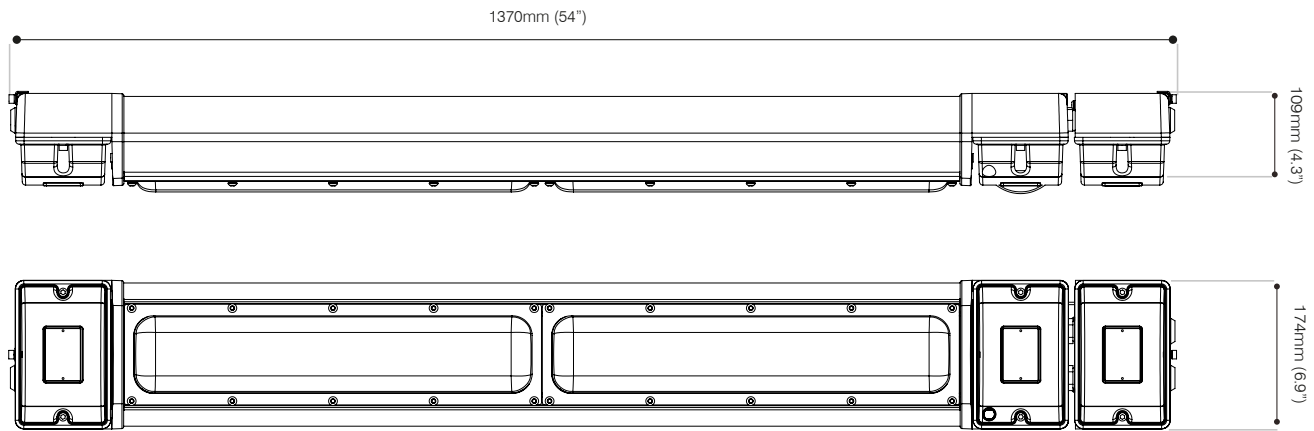


WL168

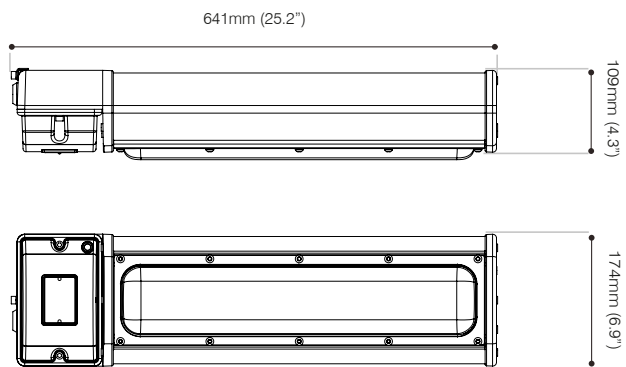


Product Dimensions

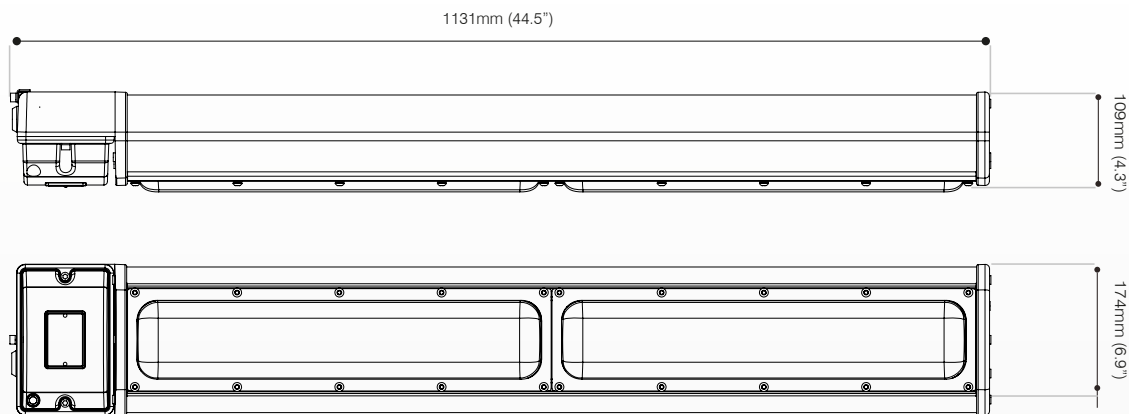
WL168 Emergency



WL84 Essential

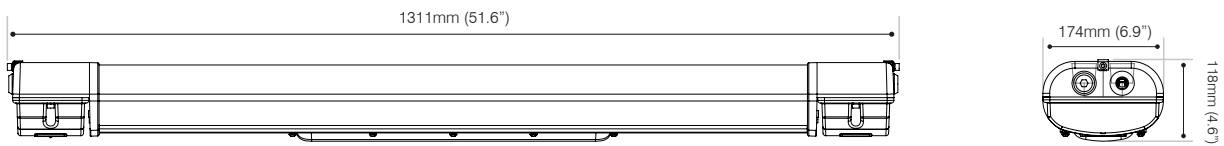


WL168 Essential

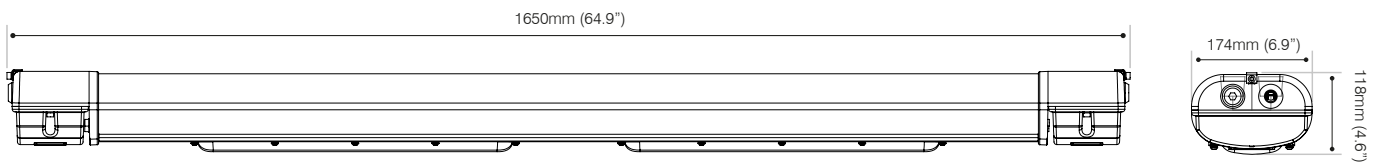


Product Dimensions

WL84 - 1200, WL84 - 1200 Emergency



WL168 - 1500



SPARTAN Linear Models with 200mm mounting points:

WL84 / WL84 Emergency / WL84 Essential

SPARTAN Linear Models with 350mm mounting points:

WL168 / WL168 Emergency / WL168 Essential / WL84-1200 /
WL84-1200 Emergency / WL168-1500

Part Code Builder

SPARTAN Linear Zone 1 Family

Standard: Example - SPX-WL84-EMX25

| Family | Model | Emergency | Variant | CCT | Power | Optics | Entry |
|--------|------------|-------------------------|-------------------------|--------------------|---------------------------------------|--|------------------|
| SPX | WL84 | NOT STATED - Non EM | Not stated - T4 variant | Not Stated - 6500K | Not Stated - 110-254Vac | Not Stated - Standard | Not Stated - M20 |
| | WL168 | EMX25 (25% for 3 hours) | T6 - T6 variant | 4K - 4000K | LV - Low Voltage (Non EM only) | Other optics available - please contact Raytec | M25 |
| | WL84-1200 | | | | ELV - Extra Low Voltage (Non EM only) | | |
| | WL168-1500 | | | | | | |

Essential: Example - SPX-WL84-LL

| Family | Model | Variant | CCT | Power | Optics | Entry |
|--------|----------|-------------------------|--------------------|-------------------------------------|--|------------------|
| SPX | WL84-LL | Not stated - T4 variant | Not Stated - 6500K | Not Stated - 110-254Vac | Not Stated - Standard | Not Stated - M20 |
| | WL168-LL | T6 - T6 variant | 4K - 4000K | LV - Low Voltage (WL84 only) | Other optics available - please contact Raytec | M25 |
| | | | | ELV - Extra Low Voltage (WL84 only) | | |

*Alternative versions available. Please contact Raytec for details.

SPARTAN Linear Specials



Safety Shower Variants

- Green LED technology designed for use where safety shower units are located.
- Dominant wavelength: 519nm
- Dedicated safety shower optic for maximum visibility

Example ordering code: SPX-WL168-G

Other options available, contact Raytec for full ordering information.



Wildlife-Friendly Variants

- Amber LED technology designed to protect wildlife in coastal locations or natures reserves.
- Dominant wavelength: 600nm

Example ordering code: SPX-WL168-4K-A

Other options available, contact Raytec for full ordering information



See SPARTAN Linear Mounting & Accessories Guide for full range of accessories