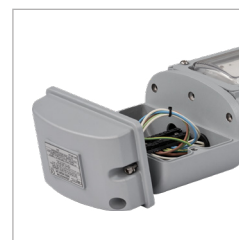
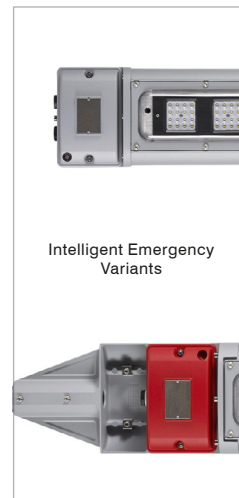


SPARTAN LED  
Zone 1/21 SPX Linear Spigot Luminaire



**Ultra-Powerful**

SPARTAN Linear delivers industry-leading power and performance with an efficacy of up to 128 lumens per watt on standard variants.



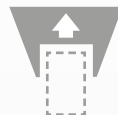
**Modular Design**

Key components such as the LED and PSU modules are easily accessible for straightforward maintenance and inspection.



**Intelligent Emergency**

Self-testing emergency battery providing up to 3 hours emergency back-up.



**Integrated Spigot**

The integrated spigot bracket is designed to fit poles up to 42mm in diameter and is fully shrouded for environmental protection.

**5 YEAR WARRANTY**

All Raytec luminaires are provided with an industry leading 5 year warranty and have an expected useful life in excess of 10 years. See Warranty Statement for details.



# Technical Specifications

## Certification

ATEX Rating	ATEX UKEX and IEC Ex rated for Gas and Dust
Hazardous Area Rating	Zone 1 (Gas), Zone 21(Dust)
Certificates	CML14ATEX3119 & IECExCML15.0001 & CML21UKEX3105
Gas	II 2 G D Ex eb mb IIC T4 Gb Ta= -40°C to +60°C (-20°C to +50°C for emergency variants)
Dust	Ex tb IIIC T80°C Db Ta= -40°C to +60°C (-20°C to +50°C for emergency variants)
ABS Certificate #	ABS Certificate # 20-1990083-PDA

## Electrical

	WL84	WL84 Emergency	WL84 High Output
Input	Standard: 110-254V AC 50/60Hz 110-254V DC * Low voltage version: 18-48V AC and 18-69V DC Extra low voltage version: 12V AC/DC	110-254V 50/60Hz AC only	110-254V AC 50/60Hz 110-254V DC
Power	24W	32W	48W
Termination	Incoming terminal block suitable for 4 core 4mm <sup>2</sup> cable (6mm <sup>2</sup> available - POA)		
Power Factor	>0.95	>0.95	>0.95
Cable Entries	1xM20 cable entry as standard (other entries available upon request), dispatched complete with an ATEX/IEC Ex approved blanking plug		

\* T6 variants are AC only

## Optical

	WL84	WL84 Emergency	WL84 High Output
Lumen output on mains	3065	3065	6130
LED type	Platinum Elite SMT LEDs	Platinum Elite SMT LEDs	Platinum Elite SMT LEDs
Number of LEDs	80	80	80
CRI	80+	80+	80+
Colour Temperature	6500K standard	6500K standard	6500K standard

## Mechanical

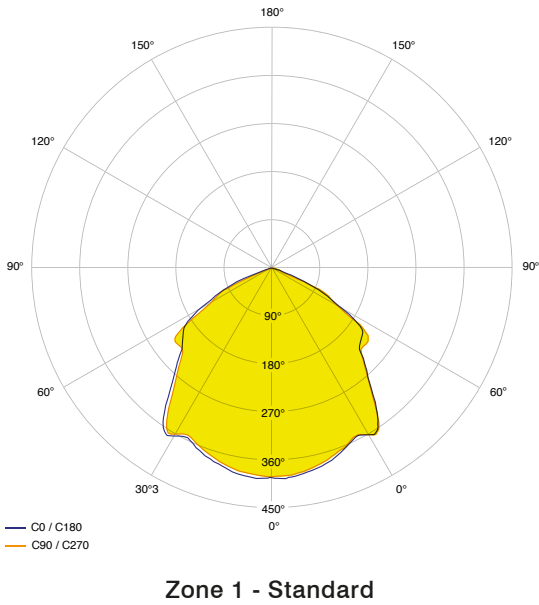
	WL84	WL84 Emergency	WL84 High Output
Burning Position	Universal	Universal	Universal
IP Rating	IP66 & IP67	IP66 & IP67	IP66 & IP67
IK Rating	IK10	IK10	IK10
Temperature Range	-40°C to +60°C	-20°C to + 50°C	-40°C to +60°C
Weight	6kg (13.2lbs)	7kg (15.4lbs)	6kg (13.2lbs)

# Technical Specifications

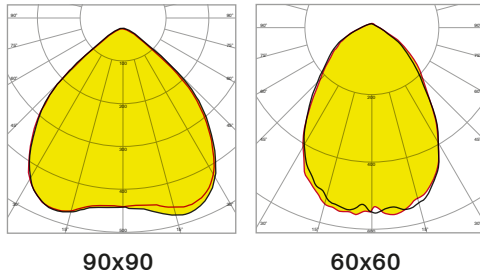
Mechanical	WL84	WL84 Emergency	WL84 High Output
Enclosure	Marine grade aluminium epoxy powder coated, UV stabilised polycarbonate, all external fasteners and brackets are marine grade stainless steel		
Unit Colour	Silver (RAL 9006)	Silver (RAL 9006) Red (RAL3024) - Emergency battery cover	Silver (RAL 9006)
Installation instructions	Please see document 0920-D-00042 at <a href="http://www.rayteclcd.com">www.rayteclcd.com</a>		
Battery Care	Please see document 0010-D-00001 at <a href="http://www.rayteclcd.com">www.rayteclcd.com</a>		
Dimensions	See dimensional sketches		
Mounting	Via 34-42mm spigot entry. Grub screws provided as standard		

Intelligent Emergency	WL84 Emergency
Function	Self-testing intelligent emergency
System health indicator	Tri-colour LED indicator
Emergency Duration	Up to 3hrs @ 25% power Other options available
Emergency Battery	Ni/Cd 12V
Emergency Charge Time	20 hours

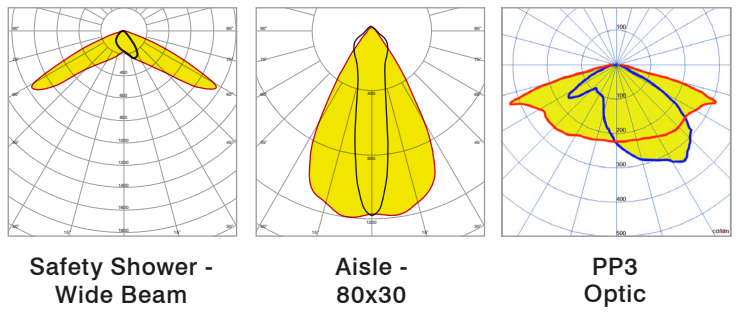
# Light Distribution



## Symmetrical Optics

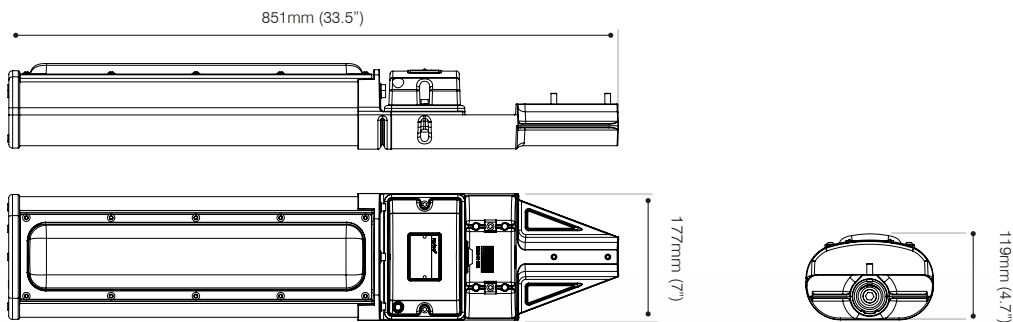


## Asymmetrical Optics

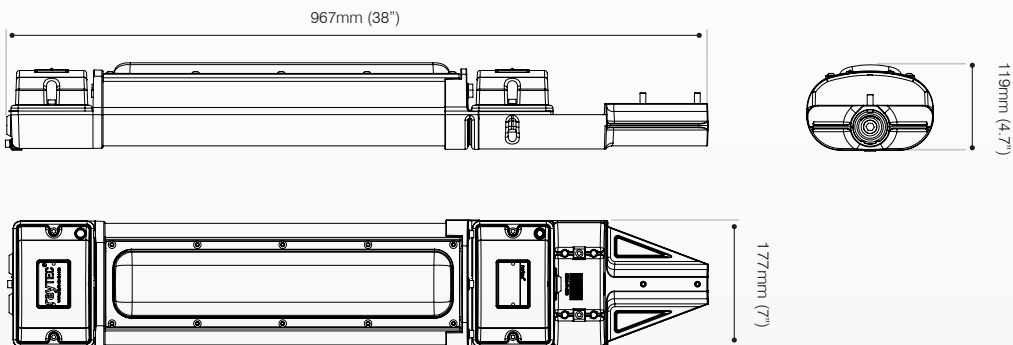


# Product Dimensions

## WL84, WL84 High Output



## WL84 Emergency



## Part Code Builder

### SPARTAN Linear Spigot Zone 1 Family

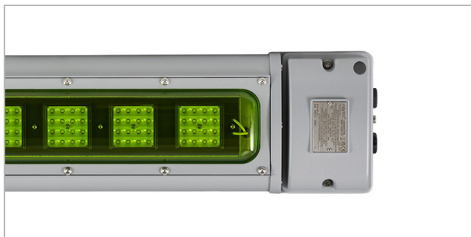
**Standard:** Example - SPX-WL84-EMX25-SP

Family	Model	Emergency	Mounting	Variant	CCT	Power	Optics	Entry
SPX	WL84	NOT STATED - non-emergency	SP - Spigot	NOT STATED - T4 variant	NOT STATED - 6500K	NOT STATED- 110-254V AC	NOT STATED - standard	NOT STATED - M20 entry
		EMX25 - 25% for 3 hours		T6 - T6 variant	4K - 4000K	LV - low voltage non-EM only)	Other optics available - contact Raytec	M25 - M25 entry

**High Output:** Example - SPX-WL84-HO-SP

Family	Model	Mounting	Variant	CCT	Power	Optics	Entry
SPX	WL84-HO	SP - Spigot	NOT STATED - T4 variant	NOT STATED - 6500K	NOT STATED- 110-254V AC	NOT STATED - standard	NOT STATED - M20 entry
				4K - 4000K		Other optics available - contact Raytec	M25 - M25 entry

## SPARTAN Linear Specials



### Safety Shower Variants

- Green LED technology designed for use where safety shower units are located.
- Dominant wavelength: 519nm
- Dedicated safety shower optic for maximum visibility

Example ordering code: SPX-WL84-SP-G

Other options available, contact Raytec for full ordering information.



### Wildlife-Friendly Variants

- Amber LED technology designed to protect wildlife in coastal locations or natures reserves.
- Dominant wavelength: 600nm

Example ordering code: SPX-WL84-SP-4K-A

Other options available, contact Raytec for full ordering information



See SPARTAN Linear Mounting & Accessories Guide for full range of accessories