



ProSite LED Floodlight

Technical Specification Sheet - CE / ATEX / IECEx

ProSite LED Floodlight - CE / ATEX / IECEx

F1 Models

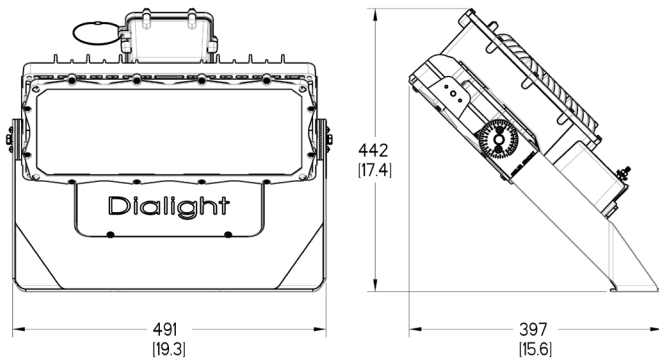


Patent Pending

Certifications & Ratings

- 10 year warranty
- CE / ENEC
- ATEX/IECEx Zone 2, 21 & 22
 - Ex ec IIC T4 Gc
 - Ex tb IIIC T110°C Db
 - ITS-I 22 ATEX 29411X
 - ITS-I 22 ATEX 294111X
 - IECEx ETL 22.0001X
- IP66/67
- IK10 (integrated PC optic/lens/lens cover), IK08 (glass lens cover)
- L70 > 150,000 hours @ 25°C ambient

Angled Bracket



Dimensions in mm [inches]

Additional dimensional drawings on pages 11-12

Mechanical Information:

Fixture weight:	10.9 - 13.6 kg
Shipping weight:	~14.5 kg
EPA (m²):	0.186
Mounting:	316 stainless steel straight bracket (all with 7.5° tilting increments) 316 stainless steel angled bracket Slipfitter bracket
Cable entry:	2 x M25

Electrical Specifications:

Operating voltage:	120-277 VAC / 120-250 VDC 347-415 VAC
Operating temp:	-40°C to +65°C
EMC:	CISPR 15 FCC 47CFR 15 IEC 61000-3-3 IEC 61547 IEC 61000-3-2
Transient protection:	6KV/3KA combination wave, as per IEEE C62.41, line-line and line-ground. 10kV/5kA for non-hazardous models
Optional:	
THD:	< 20%
Power Factor:	> 0.9
Dimming:	Wireless dimming controls via Dialight IntelliLED, DALI 2.0 compatible/ 0-10 VDC

Construction:

Housing:	A360 Die-cast aluminum
Hardware:	316 stainless steel
Finish:	Superior epoxy and polyester dual coat finish
Lens:	Integrated PC Optic/Lens, Glass Lens Cover, PC Lens Cover

Photometric Information:

CRI:	70 (80 optional)
CCT:	5000K (cool white) 4000K (neutral white) 2700K (warm white) - 80 CRI Amber
Beam pattern:	Medium - 55° Wide - 125° Very Wide - 131° x 108° Asymmetric - Forward Distribution
IES files:	Available at www.dialight.com

All values typical unless otherwise stated (tolerance +/- 10%)

WARNING - INSTALLATION & SECONDARY RETENTION. Use of any Dialight products without proper installation (including secondary retention / netting) and periodic inspections could cause severe injury or death. Dialight recommends that all installations should use secondary retention / netting (appropriate to the installation environment) where applicable. It is the exclusive responsibility of the contractor, installer and/or end-user to: (a) determine the suitability of the product for its intended application; and, (b) ensure that the product is safely installed (with secondary retention / netting where appropriate) and in compliance with all applicable laws and regulations. To the extent permissible under applicable laws, Dialight disclaims all liability for personal injury and/or other damage resulting from any dislodgment or other dislocation of its products.



Ordering Information

ProSite LED Floodlight - CE

Industrial - CE							
Part Number	Fixture Lumens	Wattage	lm/W	Voltage	CCT	Lens	Beam Distribution
12,000lm Models							
F1E-N7B2-BDEN-VGN	13,200	81	163	120-277VAC / 120-250VDC	5000k (cool white)	Integrated PC	Very Wide (131° x 108°)
F1E-N6B2-BDEN-VGN	13,200	81	163	120-277VAC / 120-250VDC	5000k (cool white)	Integrated PC	Wide (125°)
F1E-N4B2-BDEN-VGN	13,200	81	163	120-277VAC / 120-250VDC	5000k (cool white)	Integrated PC	Medium (56°)
F1E-7FB2-BDEN-VGN	12,200	81	151	120-277VAC / 120-250VDC	5000k (cool white)	Glass	Asymmetric
F1E-N7L2-BDEN-VGN	13,200	81	163	120-277VAC / 120-250VDC	4000k (neutralwhite)	Integrated PC	Very Wide (131° x 108°)
F1E-N6L2-BDEN-VGN	13,200	81	163	120-277VAC / 120-250VDC	4000k (neutralwhite)	Integrated PC	Wide (125°)
F1E-N4L2-BDEN-VGN	13,200	81	163	120-277VAC / 120-250VDC	4000k (neutralwhite)	Integrated PC	Medium (56°)
F1E-7FL2-BDEN-VGN	12,200	81	151	120-277VAC / 120-250VDC	4000k (neutralwhite)	Glass	Asymmetric
F1E-N7W2-BDEN-VGN	11,700	81	144	120-277VAC / 120-250VDC	2700k (warm white)	Integrated PC	Very Wide (131° x 108°)
F1E-N6W2-BDEN-VGN	11,700	81	144	120-277VAC / 120-250VDC	2700k (warm white)	Integrated PC	Wide (125°)
F1E-N4W2-BDEN-VGN	11,700	81	144	120-277VAC / 120-250VDC	2700k (warm white)	Integrated PC	Medium (56°)
F1E-7FW2-BDEN-VGN	10,700	81	132	120-277VAC / 120-250VDC	2700k (warm white)	Glass	Asymmetric
18,000lm Models							
F1E-N7B2-CDEN-VGN	19,100	124	154	120-277VAC / 120-250VDC	5000k (cool white)	Integrated PC	Very Wide (131° x 108°)
F1E-N6B2-CDEN-VGN	19,100	124	154	120-277VAC / 120-250VDC	5000k (cool white)	Integrated PC	Wide (125°)
F1E-N4B2-CDEN-VGN	19,100	124	154	120-277VAC / 120-250VDC	5000k (cool white)	Integrated PC	Medium (56°)
F1E-7FB2-CDEN-VGN	17,700	124	143	120-277VAC / 120-250VDC	5000k (cool white)	Glass	Asymmetric
F1E-N7L2-CDEN-VGN	19,100	124	154	120-277VAC / 120-250VDC	4000k (neutralwhite)	Integrated PC	Very Wide (131° x 108°)
F1E-N6L2-CDEN-VGN	19,100	124	154	120-277VAC / 120-250VDC	4000k (neutralwhite)	Integrated PC	Wide (125°)
F1E-N4L2-CDEN-VGN	19,100	124	154	120-277VAC / 120-250VDC	4000k (neutralwhite)	Integrated PC	Medium (56°)
F1E-7FL2-CDEN-VGN	17,700	124	143	120-277VAC / 120-250VDC	4000k (neutralwhite)	Glass	Asymmetric
F1E-N7W2-CDEN-VGN	16,900	124	136	120-277VAC / 120-250VDC	2700k (warm white)	Integrated PC	Very Wide (131° x 108°)
F1E-N6W2-CDEN-VGN	16,900	124	136	120-277VAC / 120-250VDC	2700k (warm white)	Integrated PC	Wide (125°)
F1E-N4W2-CDEN-VGN	16,900	124	136	120-277VAC / 120-250VDC	2700k (warm white)	Integrated PC	Medium (56°)
F1E-7FW2-CDEN-VGN	15,500	124	125	120-277VAC / 120-250VDC	2700k (warm white)	Glass	Asymmetric
30,000lm Models							
F1E-N7B2-FDEN-VGN	31,600	234	135	120-277VAC / 120-250VDC	5000k (cool white)	Integrated PC	Very Wide (131° x 108°)
F1E-N6B2-FDEN-VGN	31,600	234	135	120-277VAC / 120-250VDC	5000k (cool white)	Integrated PC	Wide (125°)
F1E-N4B2-FDEN-VGN	31,600	234	135	120-277VAC / 120-250VDC	5000k (cool white)	Integrated PC	Medium (56°)
F1E-7FB2-FDEN-VGN	29,200	234	125	120-277VAC / 120-250VDC	5000k (cool white)	Glass	Asymmetric
F1E-N7L2-FDEN-VGN	31,600	234	135	120-277VAC / 120-250VDC	4000k (neutralwhite)	Integrated PC	Very Wide (131° x 108°)
F1E-N6L2-FDEN-VGN	31,600	234	135	120-277VAC / 120-250VDC	4000k (neutralwhite)	Integrated PC	Wide (125°)
F1E-N4L2-FDEN-VGN	31,600	234	135	120-277VAC / 120-250VDC	4000k (neutralwhite)	Integrated PC	Medium (56°)
F1E-7FL2-FDEN-VGN	29,200	234	125	120-277VAC / 120-250VDC	4000k (neutralwhite)	Glass	Asymmetric
F1E-N7W2-FDEN-VGN	27,600	234	118	120-277VAC / 120-250VDC	2700k (warm white)	Integrated PC	Very Wide (131° x 108°)
F1E-N6W2-FDEN-VGN	27,600	234	118	120-277VAC / 120-250VDC	2700k (warm white)	Integrated PC	Wide (125°)
F1E-N4W2-FDEN-VGN	27,600	234	118	120-277VAC / 120-250VDC	2700k (warm white)	Integrated PC	Medium (56°)
F1E-7FW2-FDEN-VGN	25,200	234	108	120-277VAC / 120-250VDC	2700k (warm white)	Glass	Asymmetric

All values typical unless otherwise stated (tolerance +/- 10%).

Part numbers listed in **bold** are typically available in stock.

Voltage - For 347-415 VAC change 7th character to '5'.

Lens - For glass lens cover change 4th character to a '7', For PC lens cover change 4th character to a '4'.

Surge Protection - for 10kV surge protection 120-277VAC change 7th character to '8'. For 10kV surge protection 347-415 VAC change 7th character to '9'

PE Cell - For NEMA PE Cell Receptacle with shorting cap change 9th character to 'S'.

Mounting Bracket - Angled Bracket supplied as standard - for straight bracket change 10th character to 'F', for slip fitter change 10th character to 'S'

Amber options available.

WARNING - INSTALLATION & SECONDARY RETENTION. See page 2 for details.

Ordering Information

ProSite LED Floodlight - CE / ATEX / IECEx



Hazardous - ATEX/IECEx Zone 2, 21, 22							
Part Number	Fixture Lumens	Wattage	lm/W	Voltage	CCT	Lens	Beam Distribution
12,000lm Models							
F1B-77B2-BDEN-VGN	12,500	81	154	120-277VAC / 130 - 250VDC	5000k (cool white)	Glass	Very Wide (131° x 108°)
F1B-76B2-BDEN-VGN	12,500	81	154	120-277VAC / 130 - 250VDC	5000k (cool white)	Glass	Wide (125°)
F1B-74B2-BDEN-VGN	12,500	81	154	120-277VAC / 130 - 250VDC	5000k (cool white)	Glass	Medium (56°)
F1B-7FB2-BDEN-VGN	12,200	81	151	120-277VAC / 130 - 250VDC	5000k (cool white)	Glass	Asymmetric
F1B-77L2-BDEN-VGN	12,500	81	154	120-277VAC / 130 - 250VDC	4000k (neutralwhite)	Glass	Very Wide (131° x 108°)
F1B-76L2-BDEN-VGN	12,500	81	154	120-277VAC / 130 - 250VDC	4000k (neutralwhite)	Glass	Wide (125°)
F1B-74L2-BDEN-VGN	12,500	81	154	120-277VAC / 130 - 250VDC	4000k (neutralwhite)	Glass	Medium (56°)
F1B-7FL2-BDEN-VGN	12,200	81	151	120-277VAC / 130 - 250VDC	4000k (neutralwhite)	Glass	Asymmetric
F1B-77W2-BDEN-VGN	11,000	81	136	120-277VAC / 130 - 250VDC	2700k (warm white)	Glass	Very Wide (131° x 108°)
F1B-76W2-BDEN-VGN	11,000	81	136	120-277VAC / 130 - 250VDC	2700k (warm white)	Glass	Wide (125°)
F1B-74W2-BDEN-VGN	11,000	81	136	120-277VAC / 130 - 250VDC	2700k (warm white)	Glass	Medium (56°)
F1B-7FW2-BDEN-VGN	10,700	81	132	120-277VAC / 130 - 250VDC	2700k (warm white)	Glass	Asymmetric
18,000lm Models							
F1B-77B2-CDEN-VGN	18,000	124	145	120-277VAC / 130 - 250VDC	5000k (cool white)	Glass	Very Wide (131° x 108°)
F1B-76B2-CDEN-VGN	18,000	124	145	120-277VAC / 130 - 250VDC	5000k (cool white)	Glass	Wide (125°)
F1B-74B2-CDEN-VGN	18,000	124	145	120-277VAC / 130 - 250VDC	5000k (cool white)	Glass	Medium (56°)
F1B-7FB2-CDEN-VGN	17,700	124	143	120-277VAC / 130 - 250VDC	5000k (cool white)	Glass	Asymmetric
F1B-77L2-CDEN-VGN	18,000	124	145	120-277VAC / 130 - 250VDC	4000k (neutralwhite)	Glass	Very Wide (131° x 108°)
F1B-76L2-CDEN-VGN	18,000	124	145	120-277VAC / 130 - 250VDC	4000k (neutralwhite)	Glass	Wide (125°)
F1B-74L2-CDEN-VGN	18,000	124	145	120-277VAC / 130 - 250VDC	4000k (neutralwhite)	Glass	Medium (56°)
F1B-7FL2-CDEN-VGN	17,700	124	143	120-277VAC / 130 - 250VDC	4000k (neutralwhite)	Glass	Asymmetric
F1B-77W2-CDEN-VGN	15,900	124	128	120-277VAC / 130 - 250VDC	2700k (warm white)	Glass	Very Wide (131° x 108°)
F1B-76W2-CDEN-VGN	15,900	124	128	120-277VAC / 130 - 250VDC	2700k (warm white)	Glass	Wide (125°)
F1B-74W2-CDEN-VGN	15,900	124	128	120-277VAC / 130 - 250VDC	2700k (warm white)	Glass	Medium (56°)
F1B-7FW2-CDEN-VGN	15,500	124	125	120-277VAC / 130 - 250VDC	2700k (warm white)	Glass	Asymmetric
30,000lm Models							
F1B-77B2-FDEN-VGN	29,900	234	128	120-277VAC / 130 - 250VDC	5000k (cool white)	Glass	Very Wide (131° x 108°)
F1B-76B2-FDEN-VGN	29,900	234	128	120-277VAC / 130 - 250VDC	5000k (cool white)	Glass	Wide (125°)
F1B-74B2-FDEN-VGN	29,900	234	128	120-277VAC / 130 - 250VDC	5000k (cool white)	Glass	Medium (56°)
F1B-7FB2-FDEN-VGN	29,200	234	125	120-277VAC / 130 - 250VDC	5000k (cool white)	Glass	Asymmetric
F1B-77L2-FDEN-VGN	29,900	234	128	120-277VAC / 130 - 250VDC	4000k (neutralwhite)	Glass	Very Wide (131° x 108°)
F1B-76L2-FDEN-VGN	29,900	234	128	120-277VAC / 130 - 250VDC	4000k (neutralwhite)	Glass	Wide (125°)
F1B-74L2-FDEN-VGN	29,900	234	128	120-277VAC / 130 - 250VDC	4000k (neutralwhite)	Glass	Medium (56°)
F1B-7FL2-FDEN-VGN	29,200	234	125	120-277VAC / 130 - 250VDC	4000k (neutralwhite)	Glass	Asymmetric
F1B-77W2-FDEN-VGN	25,900	234	111	120-277VAC / 130 - 250VDC	2700k (warm white)	Glass	Very Wide (131° x 108°)
F1B-76W2-FDEN-VGN	25,900	234	111	120-277VAC / 130 - 250VDC	2700k (warm white)	Glass	Wide (125°)
F1B-74W2-FDEN-VGN	25,900	234	111	120-277VAC / 130 - 250VDC	2700k (warm white)	Glass	Medium (56°)
F1B-7FW2-FDEN-VGN	25,200	234	108	120-277VAC / 130 - 250VDC	2700k (warm white)	Glass	Asymmetric

All values typical unless otherwise stated (tolerance +/- 10%).

Part numbers listed in **bold** are typically available in stock.

Mounting Bracket - Angled Bracket supplied as standard - for straight bracket change 10th character to 'F'.

Amber options available.

ProSite LED Floodlight - CE / ATEX / IECEx F2 Models

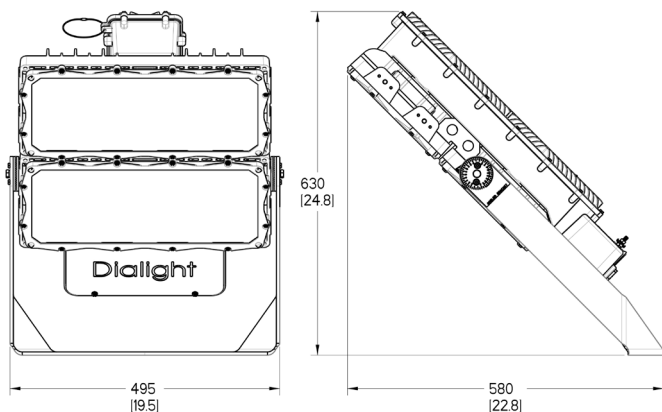


Patent Pending

Certifications & Ratings

- 10 year warranty
- CE / ENEC
- ATEX/IECEx Zone 2, 21 & 22
 - Ex ec IIC T4 Gc
 - Ex tb IIIC T110°C Db
 - ITS-I 22 ATEX 29411X
 - ITS-I 22 ATEX 294111X
 - IECEx ETL 22.0001X
- IP66/67
- IK10 (integrated PC optic/lens/lens cover), IK08 (glass lens cover)
- L70 > 150,000 hours @ 25°C ambient

Angled Bracket



Dimensions in mm [inches]

Additional dimensional drawings on pages 11-12

Mechanical Information:

Fixture weight:	19.5 - 24.5 kg
Shipping weight:	~25.5 kg
EPA (m²):	0.310
Mounting:	316 stainless steel straight bracket (all with 7.5° tilting increments) 316 stainless steel angled bracket
Cable entry:	2 x M25

Electrical Specifications:

Operating voltage:	120-277 VAC / 120-250 VDC 347-415 VAC
Operating temp:	-40°C to +65°C -40°C to +55°C - 60klm

EMC:	CISPR 15 FCC 47CFR 15 IEC 61000-3-3 IEC 61547 IEC 61000-3-2
-------------	---

Transient protection:	10kV/5kA
THD:	< 20%
Power Factor:	> 0.9
Dimming:	0-10VDC DALI 2.0 compatible

Construction:

Housing:	A360 Die-cast aluminum
Hardware:	316 stainless steel
Finish:	Superior epoxy and polyester dual coat finish
Lens:	Integrated PC Optic/Lens, Glass Lens Cover, PC Lens Cover

Photometric Information:

CRI:	70 (80 optional)
CCT:	5000K (cool white) 4000K (neutral white) 2700K (warm white) - 80 CRI Amber
Beam pattern:	Medium - 55° Wide - 125° Very Wide - 131° x 108° Asymmetric - Forward Distribution

IES files: Available at www.dialight.com

All values typical unless otherwise stated (tolerance +/- 10%)

WARNING - INSTALLATION & SECONDARY RETENTION. Use of any Dialight products without proper installation (including secondary retention / netting) and periodic inspections could cause severe injury or death. Dialight recommends that all installations should use secondary retention / netting (appropriate to the installation environment) where applicable. It is the exclusive responsibility of the contractor, installer and/or end-user to: (a) determine the suitability of the product for its intended application; and, (b) ensure that the product is safely installed (with secondary retention / netting where appropriate) and in compliance with all applicable laws and regulations. To the extent permissible under applicable laws, Dialight disclaims all liability for personal injury and/or other damage resulting from any dislodgment or other dislocation of its products.

Ordering Information

ProSite LED Floodlight - CE



Industrial - CE							
Part Number	Fixture Lumens	Wattage	lm/W	Voltage	CCT	Lens	Beam Distribution
60,000lm Models - 10kV Surge Protection							
F2E-N7B8-NDEN-VGN	65,000	484	134	120-277VAC / 120-250VDC	5000k (cool white)	Integrated PC	Very Wide (131° x 108°)
F2E-N6B8-NDEN-VGN	65,000	484	134	120-277VAC / 120-250VDC	5000k (cool white)	Integrated PC	Wide (125°)
F2E-N4B8-NDEN-VGN	65,000	484	134	120-277VAC / 120-250VDC	5000k (cool white)	Integrated PC	Medium (56°)
F2E-7FB8-NDEN-VGN	60,100	484	124	120-277VAC / 120-250VDC	5000k (cool white)	Glass	Asymmetric
F2E-N7L8-NDEN-VGN	65,000	484	134	120-277VAC / 120-250VDC	4000k (neutral white)	Integrated PC	Very Wide (131° x 108°)
F2E-N6L8-NDEN-VGN	65,000	484	134	120-277VAC / 120-250VDC	4000k (neutral white)	Integrated PC	Wide (125°)
F2E-N4L8-NDEN-VGN	65,000	484	134	120-277VAC / 120-250VDC	4000k (neutral white)	Integrated PC	Medium (56°)
F2E-7FL8-NDEN-VGN	60,100	484	124	120-277VAC / 120-250VDC	4000k (neutral white)	Glass	Asymmetric
F2E-N7W8-NDEN-VGN	56,500	484	117	120-277VAC / 120-250VDC	2700k (warm white)	Integrated PC	Very Wide (131° x 108°)
F2E-N6W8-NDEN-VGN	56,500	484	117	120-277VAC / 120-250VDC	2700k (warm white)	Integrated PC	Wide (125°)
F2E-N4W8-NDEN-VGN	56,500	484	117	120-277VAC / 120-250VDC	2700k (warm white)	Integrated PC	Medium (56°)
F2E-7FW8-NDEN-VGN	51,600	484	107	120-277VAC / 120-250VDC	2700k (warm white)	Glass	Asymmetric
60,000lm Models - 415 VAC 10kV Surge Protection							
F2E-N7B9-NDEN-VGN	65,000	499	130	347-415VAC	5000k (cool white)	Integrated PC	Very Wide (131° x 108°)
F2E-N6B9-NDEN-VGN	65,000	499	130	347-415VAC	5000k (cool white)	Integrated PC	Wide (125°)
F2E-N4B9-NDEN-VGN	65,000	499	130	347-415VAC	5000k (cool white)	Integrated PC	Medium (56°)
F2E-7FB9-NDEN-VGN	60,100	499	120	347-415VAC	5000k (cool white)	Glass	Asymmetric
F2E-N7L9-NDEN-VGN	65,000	499	130	347-415VAC	4000k (neutral white)	Integrated PC	Very Wide (131° x 108°)
F2E-N6L9-NDEN-VGN	65,000	499	130	347-415VAC	4000k (neutral white)	Integrated PC	Wide (125°)
F2E-N4L9-NDEN-VGN	65,000	499	130	347-415VAC	4000k (neutral white)	Integrated PC	Medium (56°)
F2E-7FL9-NDEN-VGN	60,100	499	120	347-415VAC	4000k (neutral white)	Glass	Asymmetric
F2E-N7W9-NDEN-VGN	56,500	499	113	347-415VAC	2700k (warm white)	Integrated PC	Very Wide (131° x 108°)
F2E-N6W9-NDEN-VGN	56,500	499	113	347-415VAC	2700k (warm white)	Integrated PC	Wide (125°)
F2E-N4W9-NDEN-VGN	56,500	499	113	347-415VAC	2700k (warm white)	Integrated PC	Medium (56°)
F2E-7FW9-NDEN-VGN	51,600	499	103	347-415VAC	2700k (warm white)	Glass	Asymmetric

All values typical unless otherwise stated (tolerance +/- 10%).

Part numbers listed in **bold** are typically available in stock.

Lens - For glass lens cover change 4th character to a '7', For PC lens cover change 4th character to a '4'.

PE Cell - For NEMA PE Cell Receptacle with shorting cap change 9th character to 'S'.

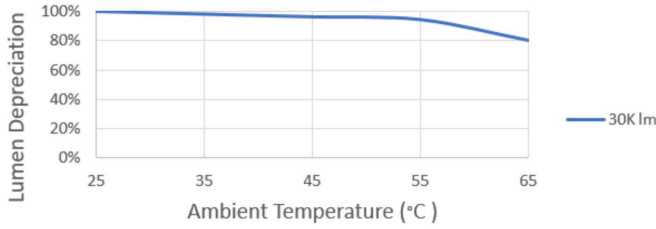
Mounting Bracket - Angled Bracket supplied as standard - for straight bracket change 10th character to 'F'.

Hazardous F2 models available on request.

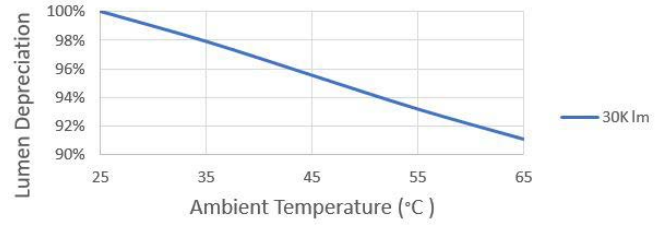
WARNING - INSTALLATION & SECONDARY RETENTION. Use of any Dialight products without proper installation (including secondary retention / netting) and periodic inspections could cause severe injury or death. Dialight recommends that all installations should use secondary retention / netting (appropriate to the installation environment) where applicable. It is the exclusive responsibility of the contractor, installer and/or end-user to: (a) determine the suitability of the product for its intended application; and, (b) ensure that the product is safely installed (with secondary retention / netting where appropriate) and in compliance with all applicable laws and regulations. To the extent permissible under applicable laws, Dialight disclaims all liability for personal injury and/or other damage resulting from any dislodgment or other dislocation of its products.

Thermal Roll-Off

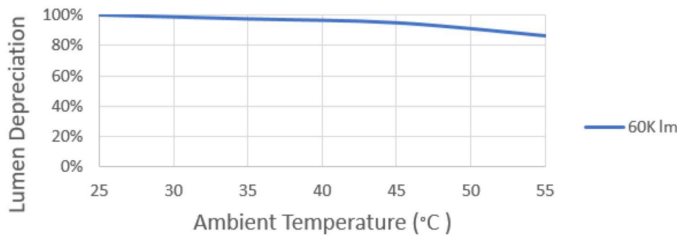
F1 30klm @ 120V



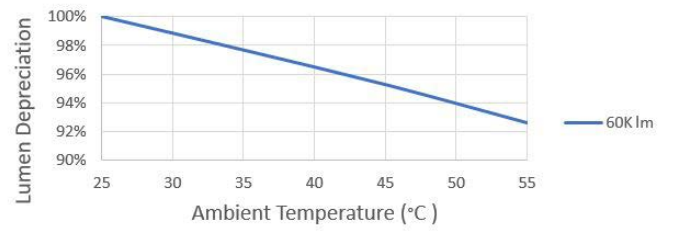
F1 30klm @ 277V



F2 60klm @ 120V



F2 60klm @ 277V



DISCLAIMER. All product information provided is, to the best of Dialight's knowledge, accurate as of the date of publication. When ordering, refer to www.dialight.com for current versions of: (a) relevant product documentation (including the relevant product data sheets); (b) Dialight terms and conditions of sale; and, (c) the relevant product warranty. To the extent that any contract is deemed formed between Dialight and the purchaser of Dialight products and/or an end-user, versions of documents available at www.dialight.com as at the date of sale shall be the versions incorporated therein. In the event of any discrepancy between this document or information provided at www.dialight.com, the latter shall prevail.

In Rush Current

Lumen Output	In rush current @ input voltage			Time duration of in rush current @ input voltage		
	120 VAC	277 VAC	415 VAC	120 VAC	277 VAC	415 VAC
60,000	15	36	10	1.5mS	1.5ms	.9ms
48,000	15	36	10	1.5mS	1.5ms	.9ms
36,000	8	18	5	1.5mS	1.5ms	.9ms
30,000	8	18	5	1.5mS	1.5ms	.9ms
24,000	8	18	5	1.5mS	1.5ms	.9ms
18,000	8	18	5	1.5mS	1.5ms	.9ms
12,000	8	18	5	1.5mS	1.5ms	.9ms
Amber 24,000	15	36	10	1.5mS	1.5ms	.9ms
Amber 12,000	8	18	5	1.5mS	1.5ms	.9ms

Maximum per Circuit Breaker

120 VAC			
Lumen Output	C10	B16	C16
60,000	2	3	3
48,000	2	4	4
36,000	3	5	5
30,000 (F2)	4	6	6
30,000 (F1)	3	5	5
24,000	4	7	7
18,000	6	10	10
12,000	10	16	16
Amber 24,000	2	3	3
Amber 12,000	3	6	6

277 VAC		
C10	B16	C16
3	5	5
5	8	8
7	11	11
8	13	13
7	11	11
9	15	15
13	21	21
20	32	32
4	6	6
7	12	12

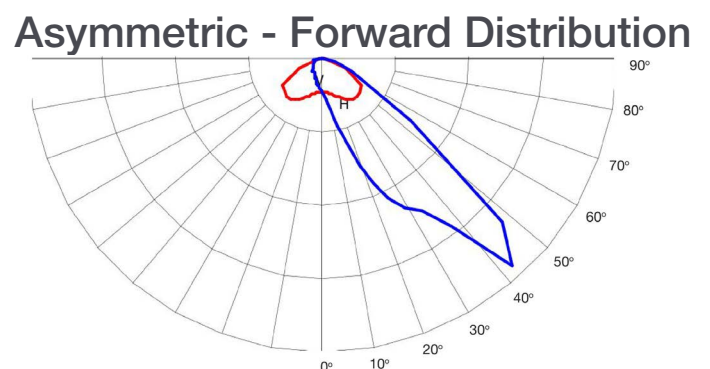
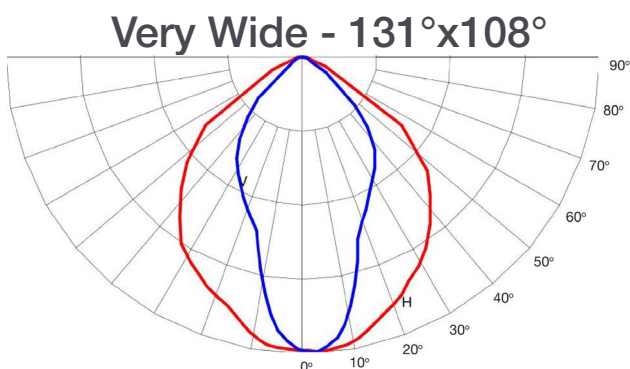
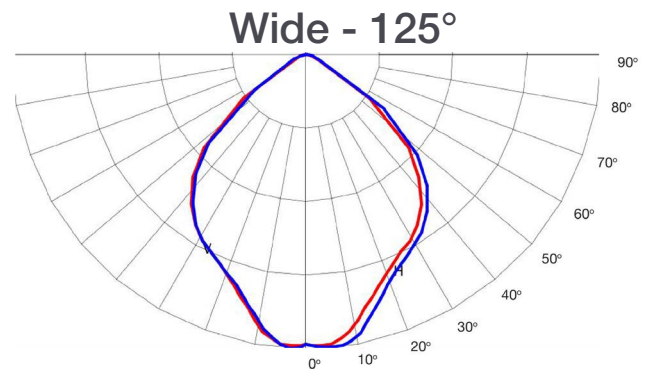
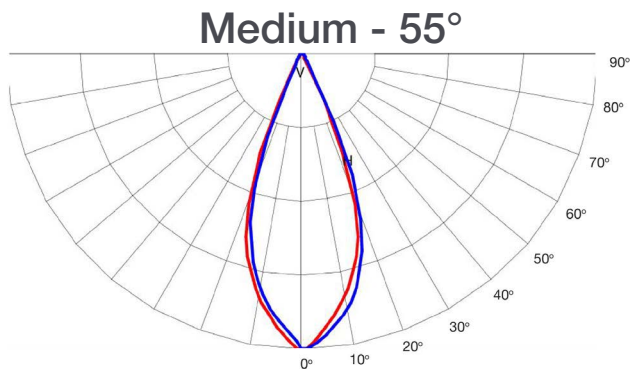
415 VAC		
C10	B16	C16
5	8	8
7	11	11
10	16	16
12	19	19
10	17	17
14	22	22
19	31	31
29	47	47
6	9	9
12	19	19

DISCLAIMER. All product information provided is, to the best of Dialight's knowledge, accurate as of the date of publication. When ordering, refer to www.dialight.com for current versions of: (a) relevant product documentation (including the relevant product data sheets); (b) Dialight terms and conditions of sale; and, (c) the relevant product warranty. To the extent that any contract is deemed formed between Dialight and the purchaser of Dialight products and/or an end-user, versions of documents available at www.dialight.com as at the date of sale shall be the versions incorporated therein. In the event of any discrepancy between this document or information provided at www.dialight.com, the latter shall prevail.

Earth Leakage (Normal & Fault)

Voltage	Normal (uAmps)	Live-Neutral reversed (uAmps)	Normal open (uAmps)	Live open (uAmps)
F1xxxx2FxxNxGN Model - 30klm, 120-277 VAC				
120V/60Hz	252	255	395	0
230V/50Hz	353	356	642	0
277V/60Hz	510	517	920	0
415V/50Hz	<510	<514	562	564
F2xxxx2NxxNxGN Model - 60klm, 120-277 VAC				
120V/60Hz	488	480	808	0
230V/50Hz	694	698	1304	0
277V/60Hz	995	991	1859	0
415V/50Hz	<791	<790	961	995

Beam Distribution



DISCLAIMER. All product information provided is, to the best of Dialight's knowledge, accurate as of the date of publication. When ordering, refer to www.dialight.com for current versions of: (a) relevant product documentation (including the relevant product data sheets); (b) Dialight terms and conditions of sale; and, (c) the relevant product warranty. To the extent that any contract is deemed formed between Dialight and the purchaser of Dialight products and/or an end-user, versions of documents available at www.dialight.com as at the date of sale shall be the versions incorporated therein. In the event of any discrepancy between this document or information provided at www.dialight.com, the latter shall prevail.

Lumen Maintenance Factor - F1

F1 Floodlight 12k lm (Hours)									
Ambient	0	15000	30000	45000	60000	75000	90000	100000	150000
25°C	100%	98%	97%	96%	96%	95%	94%	93%	91%
30°C	99%	97%	96%	95%	95%	94%	93%	92%	90%
35°C	98%	96%	96%	95%	95%	94%	93%	92%	90%
40°C	98%	96%	95%	94%	94%	93%	92%	91%	89%
45°C	97%	95%	94%	93%	93%	92%	91%	90%	88%
50°C	96%	94%	94%	93%	93%	92%	91%	90%	88%
55°C	96%	94%	93%	92%	91%	90%	90%	89%	87%
60°C	95%	93%	92%	91%	91%	90%	89%	89%	86%
65°C	94%	92%	92%	91%	90%	89%	88%	88%	85%

F1 Floodlight 18k lm (Hours)									
Ambient	0	15000	30000	45000	60000	75000	90000	100000	150000
25°C	100%	98%	97%	96%	96%	95%	94%	93%	91%
30°C	99%	97%	96%	95%	95%	94%	93%	92%	90%
35°C	98%	96%	96%	95%	95%	94%	93%	92%	90%
40°C	98%	96%	95%	94%	94%	93%	92%	91%	89%
45°C	97%	95%	94%	93%	93%	92%	91%	90%	88%
50°C	96%	94%	94%	93%	93%	92%	91%	90%	88%
55°C	96%	94%	93%	92%	91%	90%	90%	89%	87%
60°C	95%	93%	92%	91%	91%	90%	89%	89%	86%
65°C	94%	92%	92%	91%	90%	89%	88%	88%	85%

F1 Floodlight 30k lm (Hours)									
Ambient	0	15000	30000	45000	60000	75000	90000	100000	150000
25°C	100%	98%	95%	93%	91%	89%	87%	85%	79%
30°C	99%	97%	94%	92%	90%	88%	86%	84%	78%
35°C	98%	96%	93%	91%	89%	87%	85%	83%	77%
40°C	97%	94%	92%	90%	88%	85%	83%	82%	76%
45°C	96%	93%	91%	88%	86%	84%	82%	81%	74%
50°C	94%	92%	90%	87%	85%	83%	81%	79%	72%
55°C	93%	91%	88%	86%	84%	81%	79%	78%	71%
60°C	92%	90%	87%	85%	82%	80%	78%	76%	70%
65°C	91%	88%	86%	84%	81%	79%	77%	75%	68%

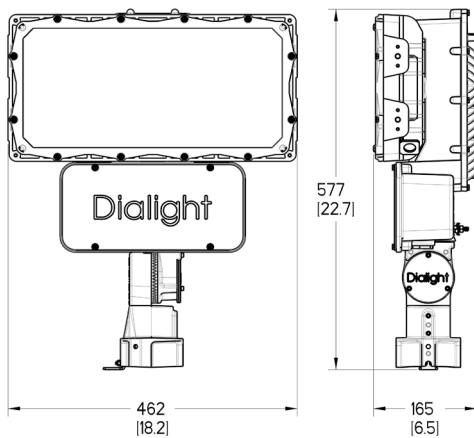
DISCLAIMER. All product information provided is, to the best of Dialight's knowledge, accurate as of the date of publication. When ordering, refer to www.dialight.com for current versions of: (a) relevant product documentation (including the relevant product data sheets); (b) Dialight terms and conditions of sale; and, (c) the relevant product warranty. To the extent that any contract is deemed formed between Dialight and the purchaser of Dialight products and/or an end-user, versions of documents available at www.dialight.com as at the date of sale shall be the versions incorporated therein. In the event of any discrepancy between this document or information provided at www.dialight.com, the latter shall prevail.

Lumen Maintenance Factor - F2

F2 Floodlight 60k lm (Hours)									
Ambient	0	15000	30000	45000	60000	75000	90000	100000	150000
25°C	100%	98%	95%	93%	91%	89%	87%	85%	79%
30°C	99%	96%	94%	92%	90%	88%	86%	84%	78%
35°C	98%	95%	93%	91%	88%	86%	84%	83%	76%
40°C	96%	94%	92%	89%	87%	85%	83%	81%	75%
45°C	95%	93%	90%	88%	86%	83%	81%	80%	73%
50°C	94%	91%	89%	87%	84%	82%	80%	78%	72%
55°C	93%	90%	88%	85%	83%	80%	78%	77%	70%

Dimensional Drawings

F1 Slipfitter Bracket - CE



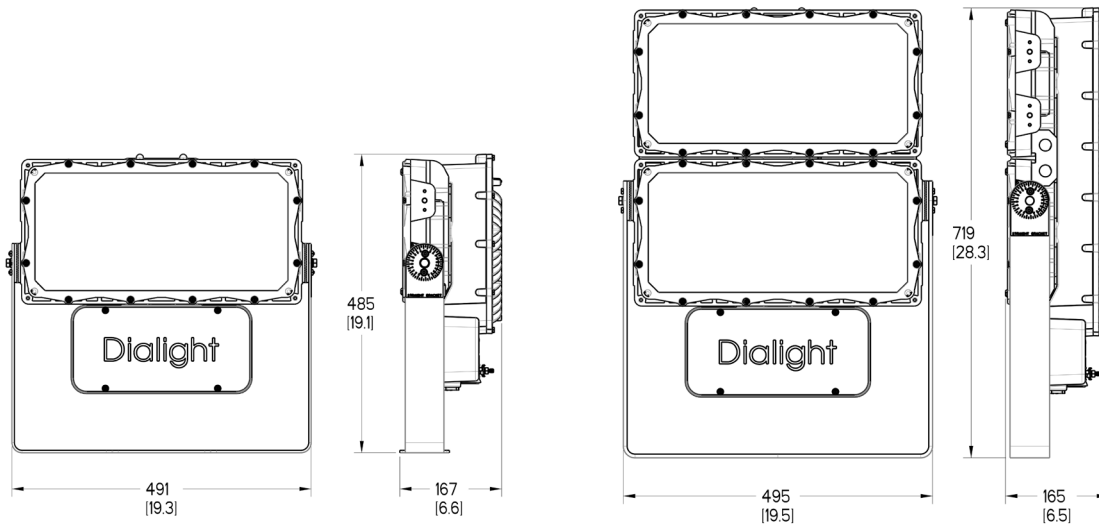
Dimensions in mm [inches]

DISCLAIMER. All product information provided is, to the best of Dialight's knowledge, accurate as of the date of publication. When ordering, refer to www.dialight.com for current versions of: (a) relevant product documentation (including the relevant product data sheets); (b) Dialight terms and conditions of sale; and, (c) the relevant product warranty. To the extent that any contract is deemed formed between Dialight and the purchaser of Dialight products and/or an end-user, versions of documents available at www.dialight.com as at the date of sale shall be the versions incorporated therein. In the event of any discrepancy between this document or information provided at www.dialight.com, the latter shall prevail.

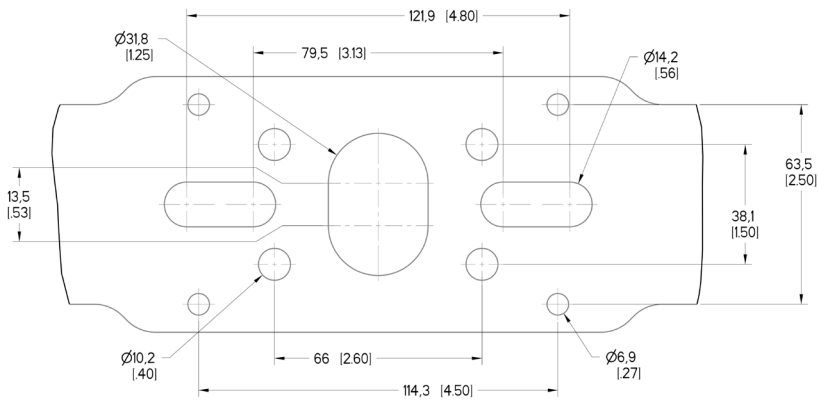
Dimensional Drawings

F1 Straight Bracket

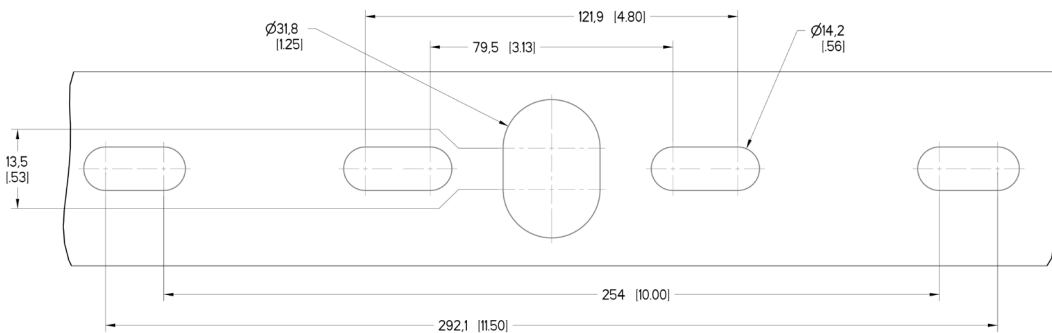
F2 Straight Bracket



F1 Mounting Bracket



F2 Mounting Bracket



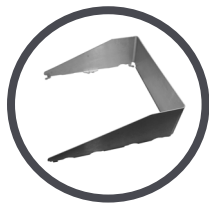
Dimensions in mm [inches]

DISCLAIMER. All product information provided is, to the best of Dialight's knowledge, accurate as of the date of publication. When ordering, refer to www.dialight.com for current versions of: (a) relevant product documentation (including the relevant product data sheets); (b) Dialight terms and conditions of sale; and, (c) the relevant product warranty. To the extent that any contract is deemed formed between Dialight and the purchaser of Dialight products and/or an end-user, versions of documents available at www.dialight.com as at the date of sale shall be the versions incorporated therein. In the event of any discrepancy between this document or information provided at www.dialight.com, the latter shall prevail.

Accessories



F1NVISOR
• F1 visor NEMA optics



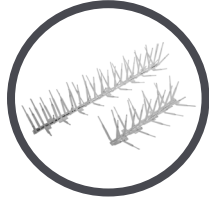
F2NVISOR
• F2 visor NEMA optics



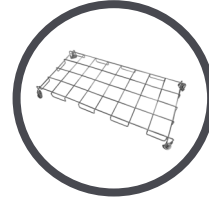
F2AVISOR
• F2 visor asymmetric optics



H6XCAB72¹
• 72" stainless steel safety rope
• Kit includes: (1) cable
H6XCAB60¹
• 60" stainless steel safety rope
• Kit includes: (1) cable



F1SPIKES
F2SPIKES
• Bird spikes



FLWG
• Wire guard
• Kit includes (1) assembly

¹F1 models require 1 cable per unit. F2 models require 2 cables per unit.

Replacements*



SLPC01R
• Photocell, 105-305 VAC
SLPC02R
• Photocell, 312-382 VAC
SLPC03R
• Photocell, 432-528 VAC

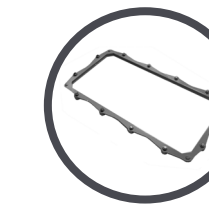


FLWIRELESS
• Wireless controls card



FL10KV277
• 10kV surge protection 100-277V
FL10KV480
• 10kV surge protection 347-480V

Replacement Power Supplies	
Part Number	Description
F1PS2B	100-277V Power Supply, 12k lm
F1PS2C	100-277V Power Supply, 18k lm
F1PS2F	100-277V Power Supply, 30k lm
F2PS2N	100-277V Power Supply, 60k lm
F1PS5B	347-480V Power Supply, 12k lm
F1PS5C	347-480V Power Supply, 18k lm
F1PS5F	347-480V Power Supply, 30k lm
F2PS5N	347-480V Power Supply, 60k lm



FLGLASSLG
• Glass lens, grey
FLPCLG
• Polycarb lens, grey
• Kit includes (1) assembly

*Replacements parts for CE models only.

DISCLAIMER. All product information provided is, to the best of Dialight's knowledge, accurate as of the date of publication. When ordering, refer to www.dialight.com for current versions of: (a) relevant product documentation (including the relevant product data sheets); (b) Dialight terms and conditions of sale; and, (c) the relevant product warranty. To the extent that any contract is deemed formed between Dialight and the purchaser of Dialight products and/or an end-user, versions of documents available at www.dialight.com as at the date of sale shall be the versions incorporated therein. In the event of any discrepancy between this document or information provided at www.dialight.com, the latter shall prevail.

Dialight Europe Ltd

Leaf C, Level 36, Tower 42
25 Old Broad Street
London, EC2N 1HQ, United Kingdom
Tel: +44 (0) 203 058 3540
Customer Service: +44 (0) 163 866 6541
sales-emea@dialight.com

Middle East

Level 23 – Boulevard Plaza Tower 2
Emaar Boulevard, Dubai, U.A.E.
P.O. Box 124342
Tel: +971 (4) 409-6962
Fax: +971 (4) 409-6850

WARNING / DISCLAIMERS:

Installation & secondary retention. The use of this product without proper installation (including secondary retention / netting) and periodic inspections, could cause severe injury or death. Dialight recommends that all installations should use secondary retention / netting (appropriate to the installation environment) as applicable. Dialight products are intended for ultimate purchase, installation and operation by knowledgeable persons trained in the functional assessment, installation, use and maintenance of such products and all customers (including but not limited to end customers) are responsible for assessing the suitability of Dialight products for any given installation requirement. It is the exclusive responsibility of the contractor, installer and/or end-user to: (a) determine the suitability of the product for its intended application; and, (b) ensure that the product is safely installed (with secondary retention / netting as appropriate) and in compliance with all applicable laws and regulations.

Product specifications & warranties. All product information provided is, to the best of Dialight's knowledge, accurate as of the date of publication. All values and performance data herein are design or typical values when measured under laboratory conditions. The information herein is subject to change without notice. The products / software detailed herein are subject to applicable warranties and terms and conditions of use/purchase. Unless agreed otherwise in writing by an authorized representative of Dialight, Dialight does not represent that its products are fit for any particular purpose and accepts no liability for the installation and/or unauthorised use of its products. When ordering, refer to www.dialight.com for current versions of: (a) relevant product documentation (including relevant product data sheets); (b) Dialight terms and conditions of sale; and, (c) the relevant product warranties. To the extent that any contract is deemed formed between Dialight and the purchaser of Dialight products and/or an end-user, versions of documents available at www.dialight.com as at the date of sale shall be the versions incorporated therein. In the event of any discrepancy between this document and information provided at www.dialight.com, the latter shall prevail.

Exclusion of liability. To the extent permissible under the relevant law, Dialight disclaims all liability for personal injury and/or other damage resulting from any dislodgment or other dislocation of its products. Whilst Dialight has used its reasonable endeavours to ensure the completeness and accuracy of information herein, Dialight does not assume any liability for damages resulting from use of this information or for any third-party representations made in relation to Dialight products.