

# .....Dialight



## SafeSite<sup>®</sup> LED Floodlight - ATEX / IECEx for Outdoor Industrial Applications - EMEA



AUGUST 2020



## Features & Benefits

- 10 year warranty
- L70 rated for >150,000 hours @ 25°C ambient
- Low power consumption
- Instant on/off
- Mercury free
- No UV or IR
- Resistant to shock and vibration
- Superior colour rendition index compared to HPS, LPS, MV
- Optional glass retention film available

## Application

The Dialight SafeSite<sup>®</sup> LED Floodlight luminaire was designed specifically to replace conventional lighting in a wide variety of outdoor hazardous area applications. Its low profile light weight design and versatile mounting options make it ideal for Floodlight applications for ATEX and IECEx classified hazardous area zones. Dialight's long life LED luminaires are designed to meet the most demanding specification criteria while offering maximum energy savings, reduced maintenance costs, and a superior quality of light.

## SafeSite® LED Floodlight - ATEX / IECEx Standard Models



Patent pending

### Certifications & Ratings (All Models )

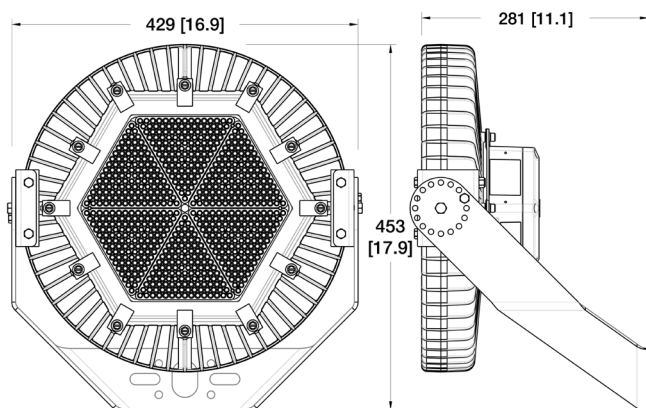
- ATEX / IECEx Zones 1, 21
- ATEX / IECEx Zones 2, 22
- CE
- IP66
- RoHS compliant

### Certifications & Ratings (IIB Models)

- Ex II 2 GB
- Ex db eb op is IIB T5 Gb
- Ex tb op is IIIC T100°C Db
- Certificate numbers:  
Sira 18ATEX1001X  
IECEx SIR 18.0001X

### Certifications & Ratings (IIB + H2 Models)

- Ex II 2 GD
- Ex d e IIB+H2 T4 Gb
- Ex tb IIIC 135°C
- Certificate numbers:  
Baseefa 12ATEX0070X  
IECEx BAS 12.0044X



Dimensions in mm (inches)

### Mechanical Information:

<b>Fixture weight:</b>	15.4 kg (34 lb)
<b>Mounting:</b>	316 stainless steel mounting bracket (included)
<b>Wiring options:</b>	Factory fitted junction terminal box with 2 off M20 x 1.5mm or 2 off M25 x 1.5mm cable entries

### Electrical Specifications:

<b>Operating voltage:</b>	
Standard Models:	100-277 VAC, 120-250 VDC
Hydrogen Models:	100-277 VAC
<b>Total system power consumption:</b>	See table
<b>Operating temperature:</b>	-40°C to +60°C
<b>Harmonics:</b>	IEC 61000-3-2
<b>Surge protection:</b>	Protection devices capable of handling up to 6kV. Tested for 6kV/2 ohm combination wave, as per IEEE C62.41, line-line and line-ground
<b>THD:</b>	<20%
<b>Power factor:</b>	> 0.9
<b>Construction:</b>	
<b>Housing:</b>	Copper-free aluminum
<b>Finish:</b>	Superior dual coat finish - Sealed polyester topcoat - Chemical resistant epoxy primer
<b>Lens:</b>	Tempered glass (optional fragment retention film available)

### Photometric Information:

<b>CRI:</b>	80 typical
<b>CCT:</b>	5000K (cool white) 4000K (neutral white)

All values typical unless otherwise stated (tolerance +/- 10%)

**WARNING - INSTALLATION & SECONDARY RETENTION.** Use of any Dialight products without proper installation (including secondary retention / netting) and periodic inspections could cause severe injury or death. Dialight recommends that all installations should use secondary retention / netting (appropriate to the installation environment) where applicable. It is the exclusive responsibility of the contractor, installer and/or end-user to: (a) determine the suitability of the product for its intended application; and, (b) ensure that the product is safely installed (with secondary retention / netting where appropriate) and in compliance with all applicable laws and regulations. To the extent permissible under applicable laws, Dialight disclaims all liability for personal injury and/or other damage resulting from any dislodgment or other dislocation of its products.

## SafeSite® LED Floodlight - ATEX / IECEx

### Mounting Options & Beam Distribution Patterns



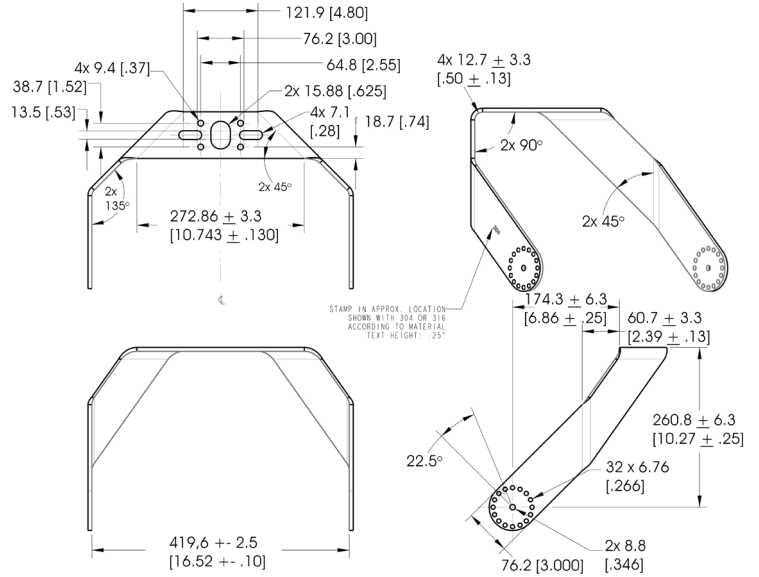
#### HBXSBK

- Sand blast kit (flat lens)
- HBXSBL
- Sacrificial flat lens

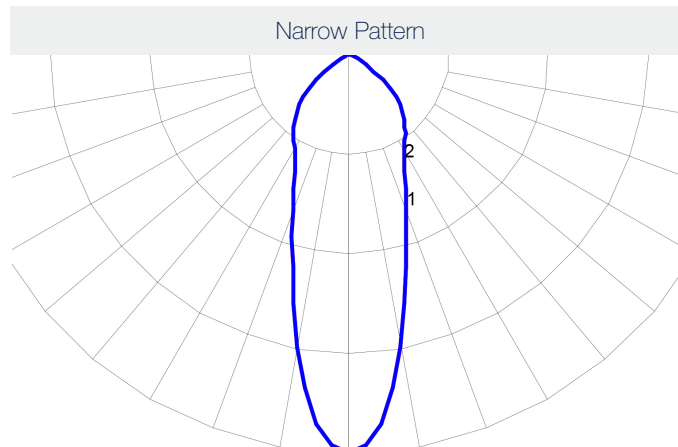
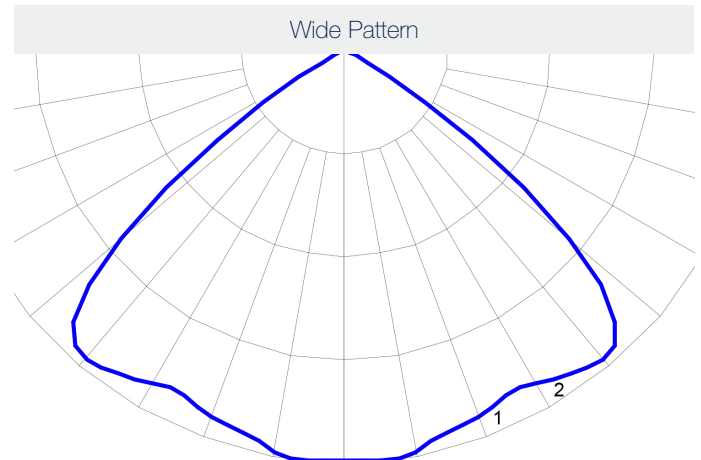
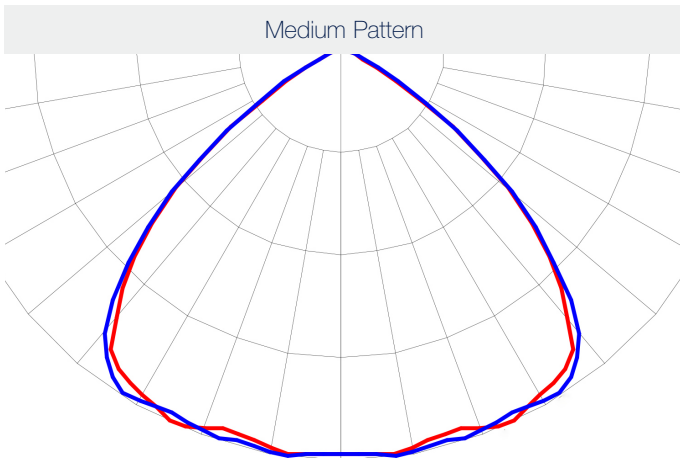


#### HBXSBDK

- Sand blast kit (dome lens)
- HBXSBDL
- Sacrificial dome lens



Dimensions in mm (inches)



**WARNING - INSTALLATION & SECONDARY RETENTION.** Use of any Dialight products without proper installation (including secondary retention / netting) and periodic inspections could cause severe injury or death. Dialight recommends that all installations should use secondary retention / netting (appropriate to the installation environment) where applicable. It is the exclusive responsibility of the contractor, installer and/or end-user to: (a) determine the suitability of the product for its intended application; and, (b) ensure that the product is safely installed (with secondary retention / netting where appropriate) and in compliance with all applicable laws and regulations. To the extent permissible under applicable laws, Dialight disclaims all liability for personal injury and/or other damage resulting from any dislodgment or other dislocation of its products.

# SafeSite® LED Floodlight - ATEX / IECEx

## Ordering Information

Platform Part Number	Part Number	Hydrogen Environment	Fixture Lumens	Typical Wattage	lm/W	Voltage	Colour Temperature (CCT)	Lens	Beam Distribution
Standard Models									
FSA-7MC2-EDEN-NGN	FLA9MC4PN-JNG		22,000	148	148	100-277 VAC, 120-250 VDC	5000K (cool white)	Tempered Glass	Medium
FSA-7WC2-EDEN-NGN	FLA9RC4PN-JNG		22,000	148	148	100-277 VAC, 120-250 VDC	5000K (cool white)	Tempered Glass	Wide
FSA-76C2-EDEN-NGN	FLA9NC4PN-JNG		22,000	148	148	100-277 VAC, 120-250 VDC	5000K (cool white)	Tempered Glass	Narrow
FSA-7MC2-CDEN-NGN	FLA9MC4KN-JNG		15,000	113	132	100-277 VAC, 120-250 VDC	5000K (cool white)	Tempered Glass	Medium
FSA-7WC2-CDEN-NGN	FLA9RC4KN-JNG		15,000	113	132	100-277 VAC, 120-250 VDC	5000K (cool white)	Tempered Glass	Wide
FSA-76C2-CDEN-NGN	FLA9NC4KN-JNG		15,000	113	132	100-277 VAC, 120-250 VDC	5000K (cool white)	Tempered Glass	Narrow
FSA-7MC2-BDEN-NGN	FLA9MC4GN-JNG		11,000	77	142	100-277 VAC, 120-250 VDC	5000K (cool white)	Tempered Glass	Medium
FSA-7WC2-BDEN-NGN	FLA9RC4GN-JNG		11,000	77	142	100-277 VAC, 120-250 VDC	5000K (cool white)	Tempered Glass	Wide
FSA-76C2-BDEN-NGN	FLA9NC4GN-JNG		11,000	77	142	100-277 VAC, 120-250 VDC	5000K (cool white)	Tempered Glass	Narrow
FSA-7MC2-ADEN-NGN	FLA9MC4DN-JNG		8,250	58	142	100-277 VAC, 120-250 VDC	5000K (cool white)	Tempered Glass	Medium
FSA-7WC2-ADEN-NGN	FLA9RC4DN-JNG		8,250	58	142	100-277 VAC, 120-250 VDC	5000K (cool white)	Tempered Glass	Wide
FSA-76C2-ADEN-NGN	FLA9NC4DN-JNG		8,250	58	142	100-277 VAC, 120-250 VDC	5000K (cool white)	Tempered Glass	Narrow
Hydrogen Models									
	FLH9MC4PN-JNG	•	23,500	212	110	110-277 VAC	5000K (cool white)	Tempered Glass	Medium
	FLH9RC4PN-JNG	•	23,500	212	110	110-277 VAC	5000K (cool white)	Tempered Glass	Wide
	FLH9NC4PN-JNG	•	23,500	212	110	110-277 VAC	5000K (cool white)	Tempered Glass	Narrow
	FLH9MC4KN-JNG	•	16,000	144	111	100-277 VAC	5000K (cool white)	Tempered Glass	Medium
	FLH9RC4KN-JNG	•	16,000	144	111	100-277 VAC	5000K (cool white)	Tempered Glass	Wide
	FLH9NC4KN-JNG	•	16,000	144	111	100-277 VAC	5000K (cool white)	Tempered Glass	Narrow
	FLH9MC4GN-JNG	•	12,500	112	111	100-277 VAC	5000K (cool white)	Tempered Glass	Medium
	FLH9RC4GN-JNG	•	12,500	112	111	100-277 VAC	5000K (cool white)	Tempered Glass	Wide
	FLH9NC4GN-JNG	•	12,500	112	111	100-277 VAC	5000K (cool white)	Tempered Glass	Narrow
	FLH9MC4DN-JNG	•	9,650	88	110	100-277 VAC	5000K (cool white)	Tempered Glass	Medium
	FLH9RC4DN-JNG	•	9,650	88	110	100-277 VAC	5000K (cool white)	Tempered Glass	Wide
	FLH9NC4DN-JNG	•	9,650	88	110	100-277 VAC	5000K (cool white)	Tempered Glass	Narrow

All values typical unless otherwise stated, Lumen values are typical (tolerance +/- 10%).

For optional glass fragment retention film, change the 11th character from an N to an F. Example: FLA9MC4PN-JNG becomes FLA9MC4PN-JFG

**WARNING - INSTALLATION & SECONDARY RETENTION.** Use of any Dialight products without proper installation (including secondary retention / netting) and periodic inspections could cause severe injury or death. Dialight recommends that all installations should use secondary retention / netting (appropriate to the installation environment) where applicable. It is the exclusive responsibility of the contractor, installer and/or end-user to: (a) determine the suitability of the product for its intended application; and, (b) ensure that the product is safely installed (with secondary retention / netting where appropriate) and in compliance with all applicable laws and regulations. To the extent permissible under applicable laws, Dialight disclaims all liability for personal injury and/or other damage resulting from any dislodgment or other dislocation of its products.

## North American HQ

1501 Route 34 South  
Farmingdale, NJ 07727  
Tel: 732-919-3119  
Fax: 732-751-5778  
info@dialight.com

## Dialight Europe Ltd

Leaf C, Level 36, Tower 42  
25 Old Broad Street  
London, EC2N 1HQ, United Kingdom  
Tel: +44 (0) 203 058 3540  
Customer Service: +44 (0) 163 866  
6541  
sales-emea@dialight.com

## Middle East

Level 23 – Boulevard Plaza Tower 2  
Emaar Boulevard, Dubai, U.A.E.  
P.O. Box 124342  
Tel: +971 (4) 409-6962  
Fax: +971 (4) 409-6850

## Australia

108 Howe Street  
Osborne Park, WA 6017  
Tel: +61 (0) 8 9244 7600  
Fax: +61 (0) 8 9244 7601  
info@dialight.com.au

## Southeast Asia

33 Ubi Avenue 3  
#07-72 Vertex (Tower A)  
Singapore 408868  
Tel: +65 6578 7157  
Fax: +65 6578 7150  
enquiry@dialight.com.sg

## Brazil

Alameda Mercurio,  
225 – American Park Empresarial NR  
Indaiatuba – SP – 13347– 662  
Tel: +55 (19) 3113-4300  
Fax: +55 (19) 3113-4300  
brasil@dialight.com

### WARNING / DISCLAIMERS:

**Installation & secondary retention.** The use of this product without proper installation (including secondary retention / netting) and periodic inspections, could cause severe injury or death. Dialight recommends that all installations should use secondary retention / netting (appropriate to the installation environment) as applicable. Dialight products are intended for ultimate purchase, installation and operation by knowledgeable persons trained in the functional assessment, installation, use and maintenance of such products and all customers (including but not limited to end customers) are responsible for assessing the suitability of Dialight products for any given installation requirement. It is the exclusive responsibility of the contractor, installer and/or end-user to: (a) determine the suitability of the product for its intended application; and, (b) ensure that the product is safely installed (with secondary retention / netting as appropriate) and in compliance with all applicable laws and regulations.

**Product specifications & warranties.** All product information provided is, to the best of Dialight's knowledge, accurate as of the date of publication. All values and performance data herein are design or typical values when measured under laboratory conditions. The information herein is subject to change without notice. The products / software detailed herein are subject to applicable warranties and terms and conditions of use/purchase. Unless agreed otherwise in writing by an authorized representative of Dialight, Dialight does not represent that its products are fit for any particular purpose and accepts no liability for the installation and/or unauthorised use of its products. When ordering, refer to [www.dialight.com](http://www.dialight.com) for current versions of: (a) relevant product documentation (including relevant product data sheets); (b) Dialight terms and conditions of sale; and, (c) the relevant product warranties. To the extent that any contract is deemed formed between Dialight and the purchaser of Dialight products and/or an end-user, versions of documents available at [www.dialight.com](http://www.dialight.com) as at the date of sale shall be the versions incorporated therein. In the event of any discrepancy between this document and information provided at [www.dialight.com](http://www.dialight.com), the latter shall prevail.

**Exclusion of liability.** To the extent permissible under the relevant law, Dialight disclaims all liability for personal injury and/or other damage resulting from any dislodgment or other dislocation of its products. Whilst Dialight has used its reasonable endeavours to ensure the completeness and accuracy of information herein, Dialight does not assume any liability for damages resulting from use of this information or for any third-party representations made in relation to Dialight products.