



ECLIPSE X

Ex ec LED Highbay

The Eclipse X is designed to minimise installation and maintenance activities whilst increasing photometric and electrical efficiency. The detachable hinge system allows installation and wiring to the mounting and terminal arrangement without the need to support the body, control gear and lamp assembly; enabling the installation process to be completed by a single installer. The Eclipse X can also be easily retro-fit into existing Eclipse II applications with minimal installation time. Next generation energy efficient control gear and LED array provides the Eclipse X with sustainable credentials required of a modern LED fixture. With a range of lumen outputs, mounting options and a copper-free (epoxy painted) aluminium housing the Eclipse X will operate efficiently and effectively in the most arduous of Zone 2 environments.



Mounting Options:

Ceiling. Stanchion. Wall. Pendant. High Bay. Medium Bay. Low Bay.

Standard Specification

Eclipse X Ex ec LED Highbay

Type of Protection	Ex ec (Increased Safety) Ex tb (Dust Protected enclosure)
ATEX Classification	Group II Category 3 G (gas); Group II Category 2 D (dust)
Area Classification	Zone 2 areas to EN IEC 60079-0:2018 & to EN IEC 60079-7:2015/A1:2018 Zone 22 areas to EN IEC 60079-0:2018 & EN IEC 60079-31:2014
Certificate	Type Examination Certificate QPS 22ATEX7000X (gas) QPS 22ATEX5002X (dust) IECEX Certificate of Conformity IECEX QPS 15.0006X
Coding	Ex ec IIC T4/T3 Gc Ex tb IIIC T135 Db, IP66
Enclosure	Copper free aluminium enclosure, epoxy painted (RAL 7008) with glass globe and diffuser guard
Cable Entry	4 x M20 cable entries c/w 3x Ex plastic blanking plugs and 1x plastic travel plug
Termination	3 core 4mm ² max. conductor with looping
Installation	Surface/Ceiling mounted 2 x 8.5mm dia holes
Control Gear	Electronic Driver
Optical Distribution	Wide Beam
Colour Temperature (CCT)	5000K (Cool White)
Colour Rendering Index (Ra)	>70
Maintenance	Barrel nut fastener
LED Lifetime @ 55°C Ambient L70	>100,000 hours
Ingress Protection	IP66
Surge Protection	6kV
Electrical Supply	120-277V AC, 50/60Hz

Features

- ◆ Highly Energy Efficient up to 134 lm/W
- ◆ Instant on crisp white light output
- ◆ Simple retrofit to existing installations
- ◆ New light weight technology
- ◆ Wide ambient applications from -40°C to +55°C
- ◆ L70 greater than 100,000 hours at 55°C

Std. Cat No.	Delivered Output	Power Consumption	Tclass	T °C (Dust)	Ambient °C	Weight
ECXC/05L/LE	5,052 lm	40W	T4	135	-40 to +55	4.9 kg
ECXC/09L/LE	9,430 lm	75W	T4	135	-40 to +55	4.9 kg
ECXC/18L/LE	17,873 lm	140W	T4	135	-40 to +55	6.1 kg
ECXC/28L/LE	26,977 lm	250W	T4 T3	135	-40 to +40 -40 to +55	11.5 kg

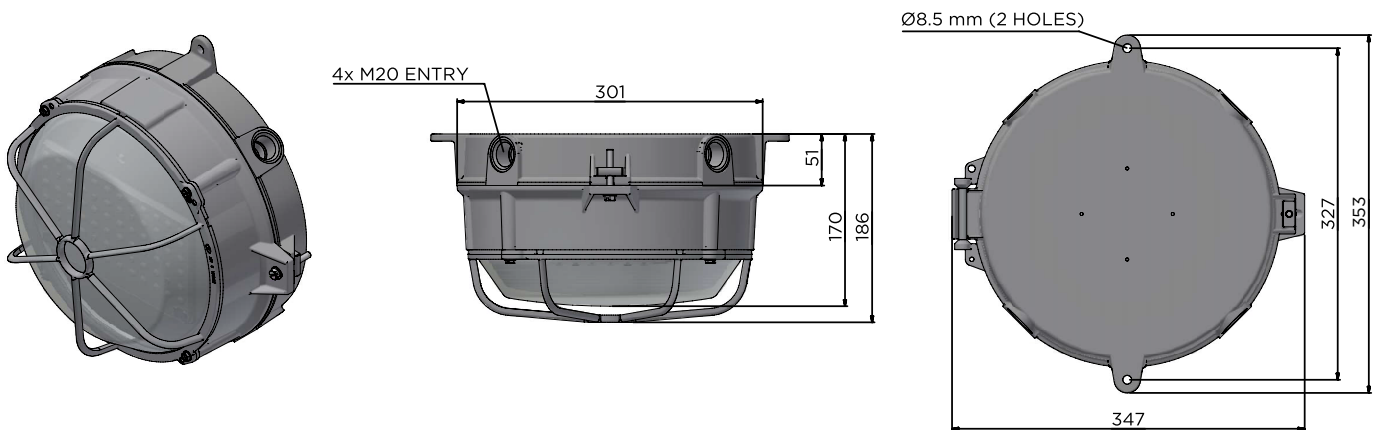
Options - Suffix to Catalogue No.

/M25	M25 Cable entries (surface mount only)	/ST	Stanchion mounted version (25°)
/WM	Wall mounted version (2xM20 and 2xM25 entries)	/PE	Pendant mounted version (for M25 conduit)

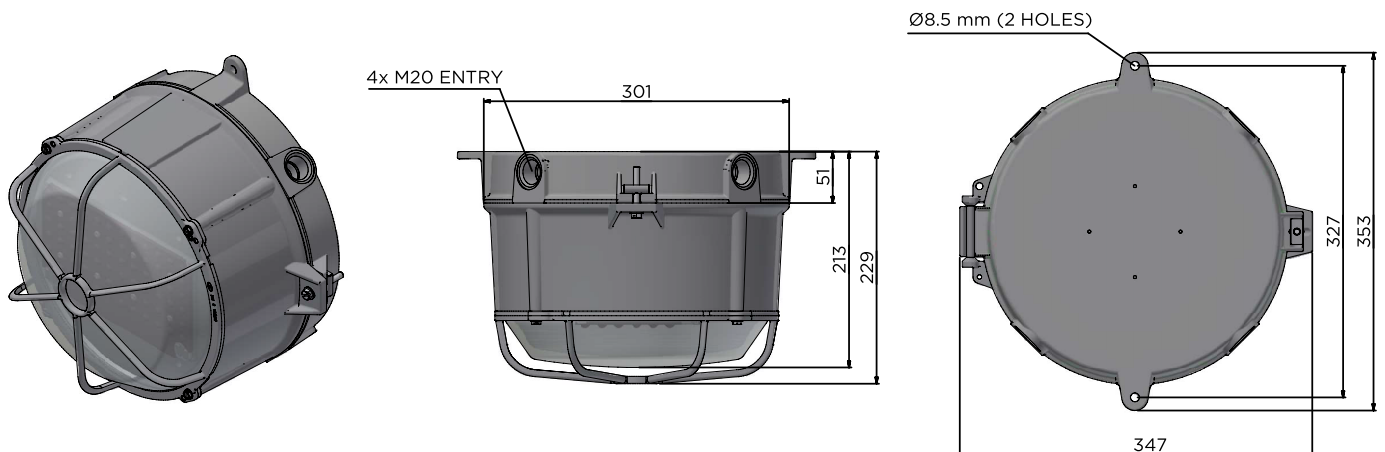
Accessories (order separately)

	Order Code
Dome Reflector	SECXO-0001
30° Angled Reflector	SECXO-0002

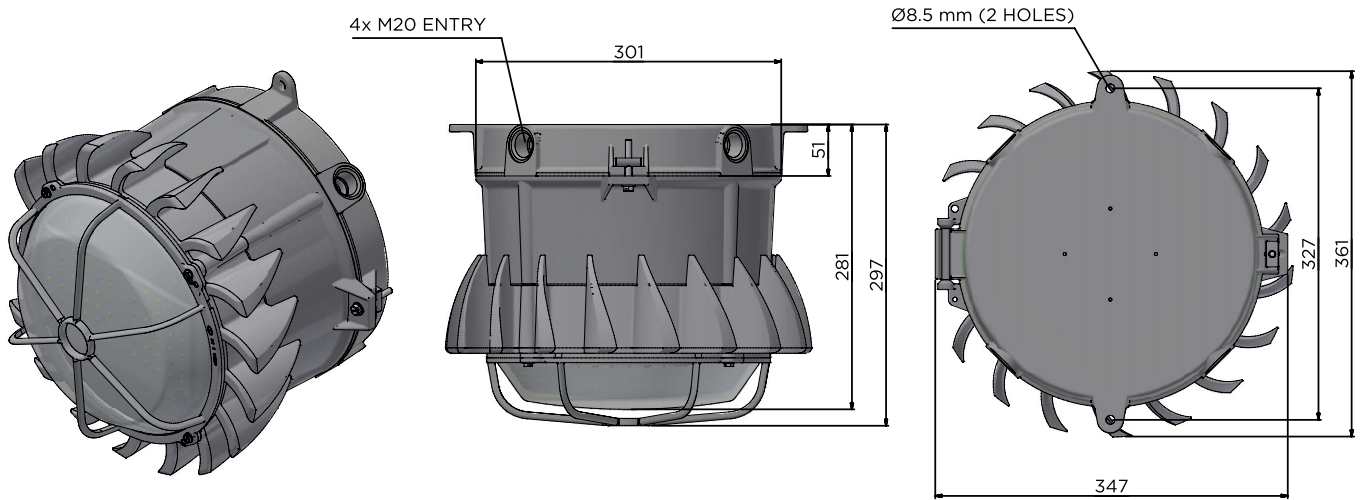
ECXC/05L/LE & ECXC/09L/LE



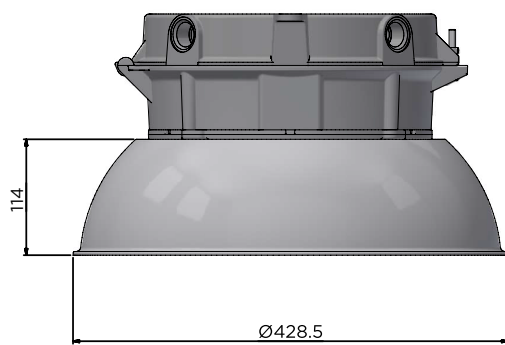
ECXC/18L/LE



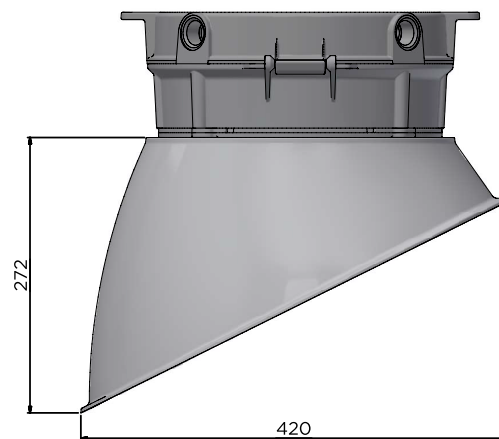
ECXC/28L/LE



Reflector Options



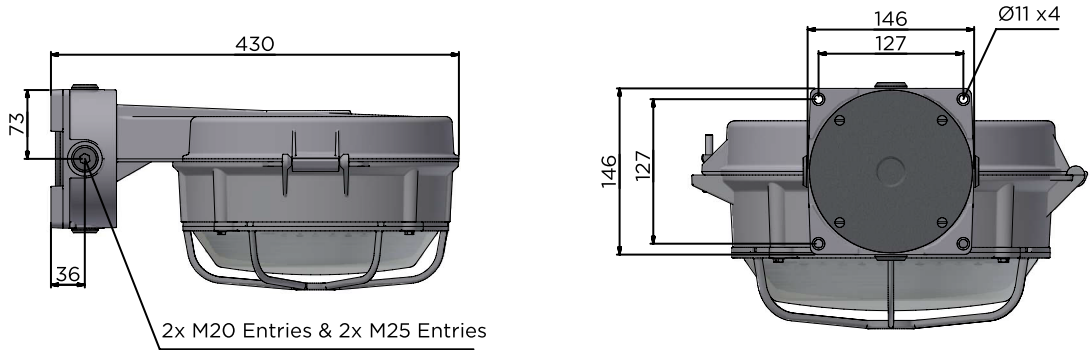
**Dome Reflector
(SECXO-0001)**



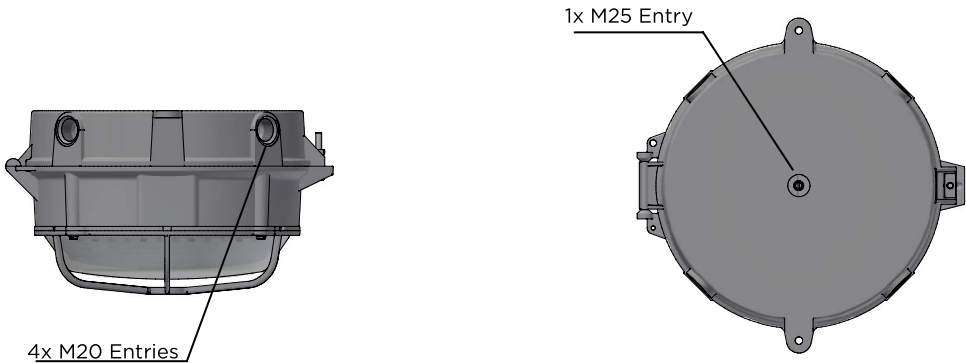
**Angled Reflector
(SECXO-0002)**

Mounting Options

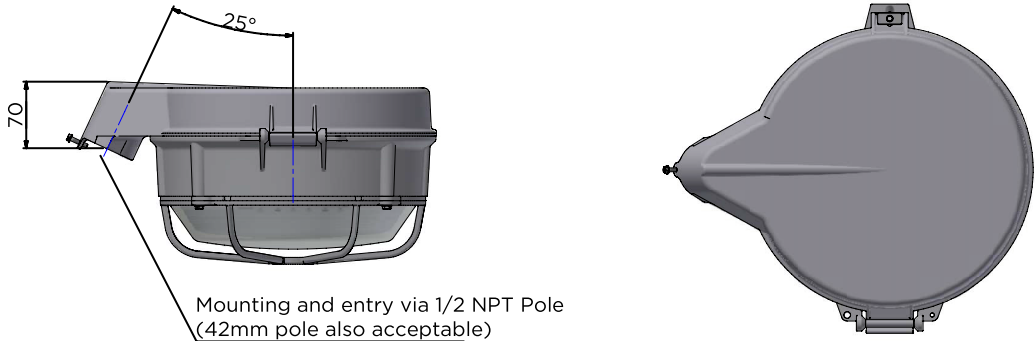
Wall Mount (/WM)



Pendant Mount (/PE)



Stanchion Mount (/ST)



A proud member of the Hubbell family.

©2024 Chalmite. All rights reserved. Hubbell and the Hubbell logo are registered trademarks or trademarks of Hubbell Incorporated. All other trademarks are the property of their respective owners. Hubbell UK, Ashton Rd, Bredbury Park Industrial Estate, Bredbury SK6 2QN www.hubbell.com/chalmite | getintouchuk@hubbell.com | +44 (0)141 882 5555

HHi-CHL-ECLIPSE-X-LED-LUMINAIRE-ZONE-2-SPEC-UK