

# IGE1W – for Steel Wire Armoured cables (SWA)

## Technical specifications

IP66

EAC

Suitable for the following cable types



SWA

Steel wire armoured cable for mechanical protection of conductors

Certifications

- B.S. 6121 Part 1: 1989
- EAC Certificate no: RU C-GB.A/132.B.04663

Temperature range

-40 °C to +80 °C

Material

Brass, nickel-plated brass

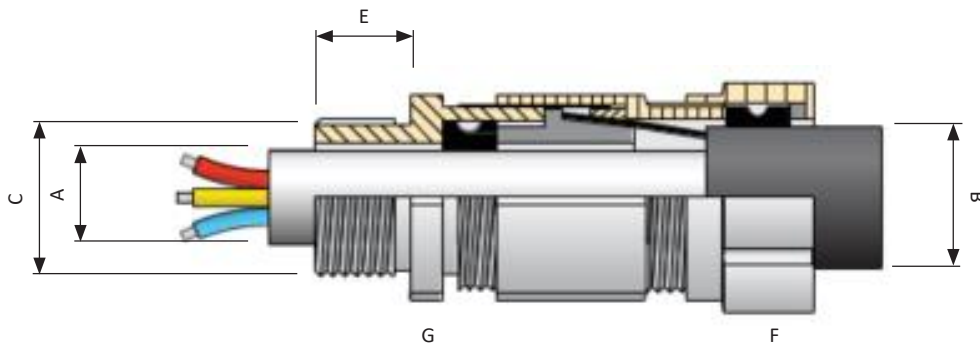


Perfectly adapted to industrial environments

- Suitable for indoor and outdoor applications
- Provides mechanical retention, a weatherproof seal on the inner and outer sheath of the cable and earth continuity
- The gland kit comprises of: cable gland, shroud, earth tag, locknut & nylon washer



## Dimensions



Designed to the B.S. 6121 standard, the IGE1W is a robust metallic range of cable glands for industrial applications which provides an outer and inner IP seal and armour clamping, grounding and earthing.

This version of Steel Wire Armoured (SWA) cable glands is available in brass or nickel plated brass, fully kitted with relevant accessories such as locknuts, nylon seals, earthing washers and shrouds.

## Ordering codes

Size	Thread Size	Cable Diameter		Thread Length (E)	Width Across Flats (F)	Width Across Flats (G)	Armour Thickness	Catalog number	
		Min - Max (A)	Min - Max (B)					ISO	ISO
20S	M20	8.0 - 11.4	12.0 - 15.9	10.0	22.0	22.0	0.90	IGE1WM201BRNK2	IGE1WM201NPNK2
20L	M20	11.0 - 13.9	15.0 - 19.5	10.0	26.0	26.0	0.90 / 1.25	IGE1WM202BRNK2	IGE1WM202NPNK2
25S	M25	12.5 - 17.5	18.0 - 23.0	10.0	31.5	31.5	1.25	IGE1WM251BRNK2	IGE1WM251NPNK2
25L	M25	14.0 - 19.8	22.0 - 25.8	10.0	34.0	34.0	1.25 / 1.60	IGE1WM252BRNK2	IGE1WM252NPNK2
32S	M32	18.0 - 22.8	25.0 - 29.5	10.0	38.5	38.5	1.60	IGE1WM321BRNK2	IGE1WM321NPNK2
32L	M32	20.0 - 25.8	26.5 - 32.0	10.0	41.0	41.0	1.60 / 2.00	IGE1WM322BRNK2	IGE1WM322NPNK2
40S	M40	23.5 - 29.0	32.0 - 36.5	15.0	45.7	45.7	1.6	IGE1WM401BRNK2	IGE1WM401NPNK2
40L	M40	26.5 - 32.5	33.5 - 40.3	15.0	49.7	49.7	1.6 / 2.00	IGE1WM402BRNK2	IGE1WM402NPNK2
50S	M50	32.5 - 39.0	40.0 - 46.2	15.0	57.5	56.5	2.00	IGE1WM501BRNK2	IGE1WM501NPNK2
50L	M50	37.0 - 43.5	46.0 - 51.7	15.0	62.0	61.0	2.00 / 2.50	IGE1WM502BRNK2	IGE1WM502NPNK2
63S	M63	43.5 - 49.5	51.5 - 59.0	15.0	70.0	70.0	2.50	IGE1WM631BRNK2	IGE1WM631NPNK2
63L	M63	49.5 - 55.5	59.0 - 65.5	15.0	78.5	77.5	2.50	IGE1WM632BRNK2	IGE1WM632NPNK2
75S	M75	55.0 - 61.5	65.5 - 71.5	15.0	85.0	84.0	2.50	IGE1WM751BRNK2	IGE1WM751NPNK2
75L	M75	61.5 - 67.5	71.5 - 77.5	15.0	92.0	92.0	2.50	IGE1WM752BRNK2	IGE1WM752NPNK2

Size	Thread Size	Cable Diameter		Thread Length (E)	Width Across Flats (F)	Width Across Flats (G)	Armour Thickness	Catalog number	
		Min - Max (A)	Min - Max (B)					NPT	NPT
20S	1/2"	8.0 - 11.4	12.0 - 15.9	10.0	22.0	22.0	0.90	IGE1WN0501BRNK2	IGE1WN0501NPNK2
20L	1/2"	11.0 - 13.9	15.0 - 19.5	10.0	26.0	26.0	0.90 / 1.25	IGE1WN0502BRNK2	IGE1WN0502NPNK2
25S	3/4"	12.5 - 17.5	18.0 - 23.0	10.0	31.5	31.5	1.25	IGE1WN0751BRNK2	IGE1WN0751NPNK2
25L	3/4"	14.0 - 19.8	22.0 - 25.8	10.0	34.0	34.0	1.25 / 1.60	IGE1WN0752BRNK2	IGE1WN0752NPNK2
32S	1"	18.0 - 22.8	25.0 - 29.5	10.0	38.5	38.5	1.60	IGE1WN1001BRNK2	IGE1WN1001NPNK2
32L	1"	20.0 - 25.8	26.5 - 32.0	10.0	41.0	41.0	1.60 / 2.00	IGE1WN1002BRNK2	IGE1WN1002NPNK2
40S	1" 1/4	23.5 - 29.0	32.0 - 36.5	15.0	45.7	45.7	1.6	IGE1WN1251BRNK2	IGE1WN1251NPNK2
40L	1" 1/4	26.5 - 32.5	33.5 - 40.3	15.0	49.7	49.7	1.6 / 2.00	IGE1WN1252BRNK2	IGE1WN1252NPNK2
50S	1" 1/2	32.5 - 39.0	40.0 - 46.2	15.0	57.5	56.5	2.00	IGE1WN1501BRNK2	IGE1WN1501NPNK2
50L	1" 1/2	37.0 - 43.5	46.0 - 51.7	15.0	62.0	61.0	2.00 / 2.50	IGE1WN1502BRNK2	IGE1WN1502NPNK2
63S	2"	43.5 - 49.5	51.5 - 59.0	15.0	70.0	70.0	2.50	IGE1WN2001BRNK2	IGE1WN2001NPNK2
63L	2"	49.5 - 55.5	59.0 - 65.5	15.0	78.5	77.5	2.50	IGE1WN2002BRNK2	IGE1WN2002NPNK2
75S	2" 1/2	55.0 - 61.5	65.5 - 71.5	15.0	85.0	84.0	2.50	IGE1WN2501BRNK2	IGE1WN2501NPNK2
75L	2" 1/2	61.5 - 67.5	71.5 - 77.5	15.0	92.0	92.0	2.50	IGE1WN2502BRNK2	IGE1WN2502NPNK2

\* Sizes above 2" NPT will be supplied as an equivalent metric gland and appropriate metric to NPT adaptor.  
All dimensions in mm