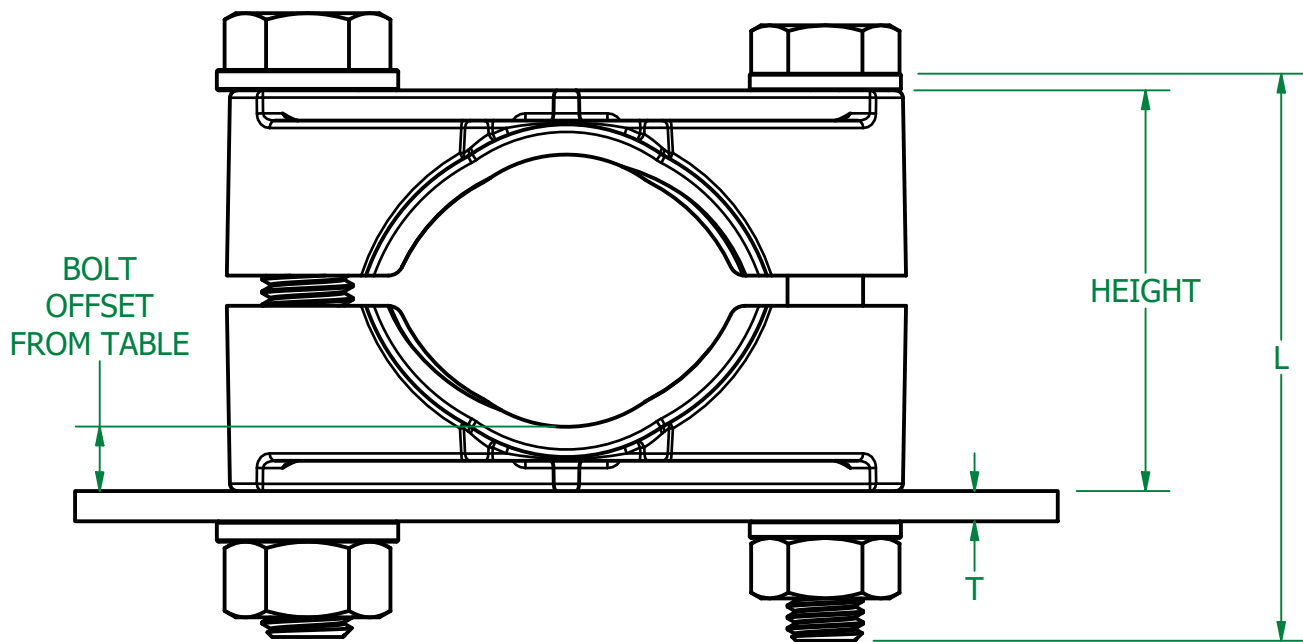
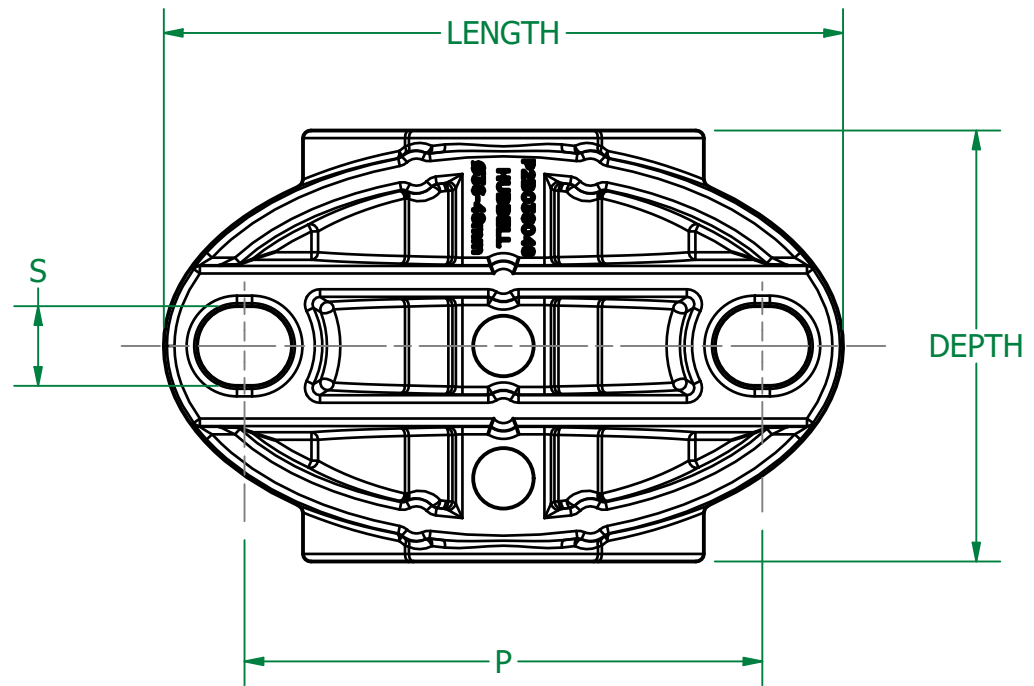


| REVISION TABLE | | | | | | |
|----------------|-----|-----|-----|------------|------------|-------------|
| REV | ENG | CHK | APR | APR DATE | DCN | NOTES |
| B | ZC | MT | MT | 06/05/2026 | HCG25-0230 | FIRST ISSUE |





MIN BOLT LENGTH (L) = O*2 + T + D + W*2 + N WHERE
 O = BOLT OFFSET FROM TABLE
 T = SUBSTRATE THICKNESS
 D = CABLE DIAMETER
 W = WASHER
 N = NUT

NOTE: TO ORDER LSF VARIANT, ADD LSF TO PART NUMBER (E.G. P2B036048LSF)

| | | |
|--|----------------------------|--------------------------------------|
| | DRAWING NUMBER | P2B Sales GA.idw |
| | DESCRIPTION | P2B Sales GA |
| CONFIDENTIAL & CONTROLLED <small>THIS DRAWING SHALL BE USED ONLY AS SPECIFIED BY HUBBELL. ANY OTHER USE, REPRODUCTION, OR DISCLOSURE TO OTHERS WITHOUT WRITTEN PERMISSION IS PROHIBITED. IF PRINTED, THIS DOCUMENT BECOMES AN UNCONTROLLED COPY. THIS DRAWING MAY CONTAIN CERTIFIED PRODUCTS. SPECIFICATIONS SUBJECT TO CHANGE WITHOUT NOTICE.</small> | | |
| <small>3rd ANGLE PROJECTION</small> | <small>UNITS: [mm]</small> | <small>SALES A3 SHEET 1 OF 2</small> |

| REVISION TABLE | | | | | | |
|----------------|-----|-----|-----|------------|------------|-------------|
| REV | ENG | CHK | APR | APR DATE | DCN | NOTES |
| B | ZC | MT | MT | 06/05/2026 | HCG25-0230 | FIRST ISSUE |

| CATALOGUE NUMBER | CABLE RANGE mm (inch) | LENGTH mm (inch) | DEPTH mm (inch) | HEIGHT mm (inch) | S FASTENER | P mm | MASS PER PAIR g (lb) | BOLT OFFSET mm |
|------------------|--------------------------|---------------------|--------------------|---------------------|---------------|-----------|-------------------------|-------------------|
| P2B036048 | 36-48 (1.42-1.89) | 90 (3.54) | 57 (2.24) | 53-67 (2.09-2.64) | M10 & 3/8" | 66.5-70.5 | 92 (0.20) | 9 |
| P2B046058 | 46-58 (1.81-2.28) | 100 (3.94) | 67 (2.64) | 63-77 (2.48-3.03) | M10 & 3/8" | 76.5-80.5 | 120 (0.26) | 9 |
| P2B056070 | 56-70 (2.20-2.76) | 112 (4.41) | 79 (3.11) | 73-89 (2.87-3.50) | M10 & 3/8" | 88.5-92.5 | 154 (0.34) | 9 |
| P2B068085 | 68-85 (2.68-3.35) | 133 (5.24) | 85 (3.35) | 94-113 (3.70-4.45) | M12 & 1/2" | 106-110 | 250 (0.55) | 13 |
| P2B083100 | 83-100 (3.27-3.94) | 148 (5.83) | 90 (3.54) | 113-132 (4.45-5.20) | M12 & 1/2" | 121-125 | 326 (0.72) | 15 |
| P2B098116 | 98-116 (3.86-4.57) | 164 (6.46) | 96 (3.78) | 130-150 (5.12-5.91) | M12 & 1/2" | 137-141 | 402 (0.89) | 16 |
| P2B113130 | 113-130 (4.45-5.12) | 179 (7.05) | 100 (3.94) | 147-166 (5.79-6.54) | M12 & 1/2" | 151-155 | 478 (1.05) | 17 |

| | | | | |
|---|-----------------------------|------------------|----|--------------|
|  | DRAWING NUMBER | P2B Sales GA.idw | | |
| | DESCRIPTION | P2B Sales GA | | |
| CONFIDENTIAL & CONTROLLED | | | | |
| THIS DRAWING SHALL BE USED ONLY AS SPECIFIED BY HUBBELL. ANY OTHER USE, REPRODUCTION, OR DISCLOSURE TO OTHERS WITHOUT WRITTEN PERMISSION IS PROHIBITED. IF PRINTED, THIS DOCUMENT BECOMES AN UNCONTROLLED COPY. THIS DRAWING MAY CONTAIN CERTIFIED PRODUCTS. SPECIFICATIONS SUBJECT TO CHANGE WITHOUT NOTICE. | | | | |
| 3rd ANGLE PROJECTION  | UNITS: ^{mm} [INCH] | SALES | A3 | SHEET 2 OF 2 |